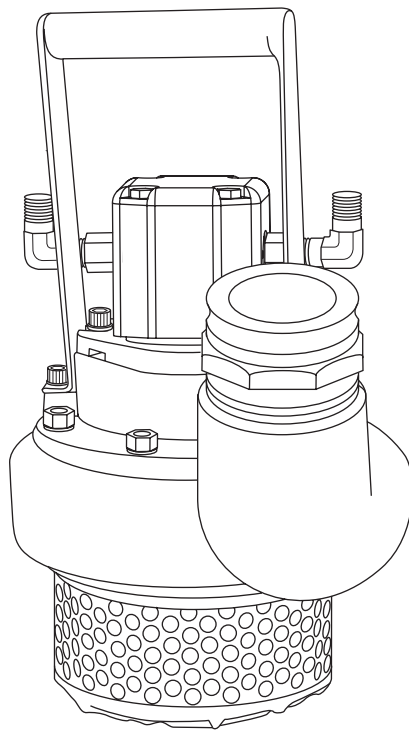


SERVICE BULLETIN

Fairmont[®]

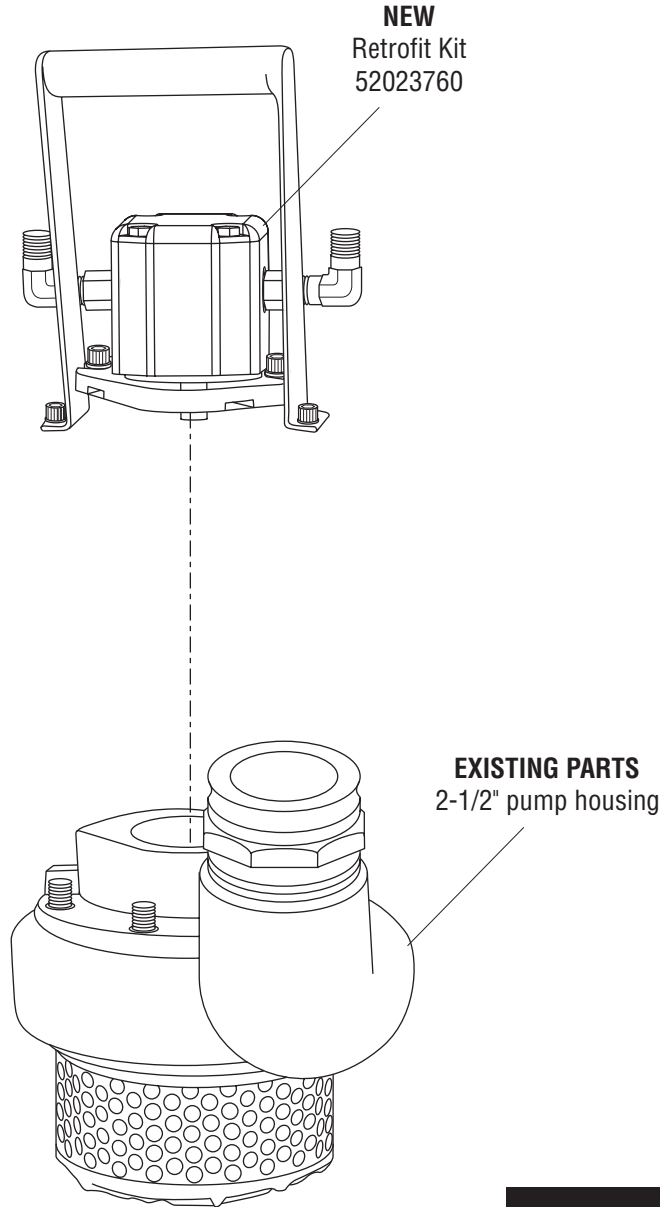


Retrofit Kit

H4660

Retrofit Kit for: H4660B Submersible Pump

Replace motor, motor holddown screws, and adapters with the new retrofit kit as shown below.



USA	800-435-0786	Fax: 800-451-2632
	815-397-7070	Fax: 815-397-1865
Canada	800-435-0786	Fax: 800-524-2853
International	+1-815-397-7070	Fax: +1-815-397-9247

4455 Boeing Drive • Rockford, IL 61109-2988 • USA • 815-397-7070
An ISO 9001 Company • Greenlee Textron Inc. is a subsidiary of Textron Inc.

www.greenlee.com

Printed in USA