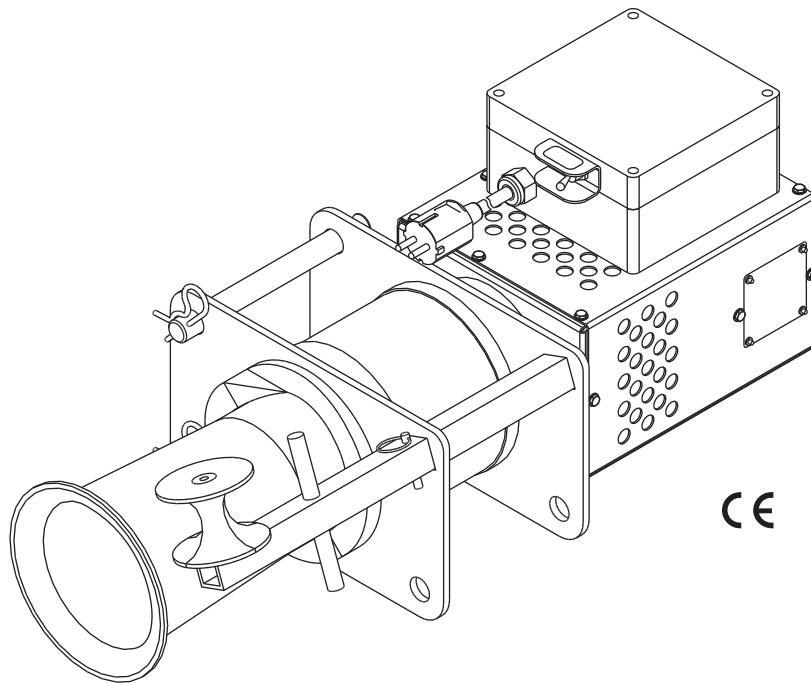


SERVICE MANUAL



Ultra Tugger® **Cable Puller and Pulling Packages** **6800 and 6805A** (115 V CE for United Kingdom)

Serial Code ALA



Read and understand all of the instructions and safety information in this manual before operating or servicing this tool.

Table of Contents

Safety	2
Purpose of this Manual	2
Other Publications	2
Important Safety Information	3-5
Grounding Instructions	6
Operation	7
Maintenance	8-9
Illustrations and Parts Lists	10-15
Ultra Tugger Cable Puller	10-11
Gearmotor	12-13
Motor	14
Force Gauge	15
Accessories	16-20
Slip-in Couplers	16
Screw-on Couplers	16
Boom Tubes	16
T-Stand	16
Wheeled Carriage	17
Boom Mount	18
Nose Unit	19
Elbow Unit	19
Pipe Adapter Assembly	20
Floor Mount	20

Safety

Safety is essential in the use and maintenance of Greenlee tools and equipment. This service manual and any markings on the tools provide information for avoiding hazards and unsafe practices related to use of this tool. Observe all of the safety information provided.

Do not operate this tool unless fully trained to do so, or under trained supervision.

Purpose of this Manual

This manual is intended to familiarize authorized Greenlee service center personnel with the safe operation and maintenance procedures for the Greenlee 6800 and 6805A Ultra Tugger[®] cable pullers.

Keep this manual available to all personnel.

Replacement manuals are available upon request at no charge at www.greenlee.com.

Other Publications

Instruction Manual: 52042994



Do not discard this product or throw away!

For recycling information, go to www.greenlee.com.

All specifications are nominal and may change as design improvements occur. Greenlee Textron Inc. shall not be liable for damages resulting from misapplication or misuse of its products.

Ultra Tugger is a registered trademark of Greenlee Textron Inc.

Versi-Boom is a trademark of Greenlee Textron Inc.

Loctite and 242 are registered trademarks of Loctite Corporation.

Texaco is a registered trademark of Texaco Inc.



IMPORTANT SAFETY INFORMATION



SAFETY ALERT SYMBOL

This symbol is used to call your attention to hazards or unsafe practices which could result in an injury or property damage. The signal word, defined below, indicates the severity of the hazard. The message after the signal word provides information for preventing or avoiding the hazard.

⚠ DANGER

Immediate hazards which, if not avoided, **WILL** result in severe injury or death.

⚠ WARNING

Hazards which, if not avoided, **COULD** result in severe injury or death.

⚠ CAUTION

Hazards or unsafe practices which, if not avoided, **MAY** result in injury or property damage.



⚠ WARNING

Electric shock hazard:
Disconnect the cable puller from the power supply before servicing.
Failure to observe this warning could result in severe injury or death.

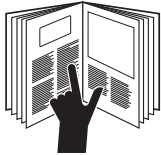


⚠ WARNING

Flying components hazard:

- Inspect and verify the maximum load-bearing capacity or maximum strength of all structural supports, pulling system components, and anchoring systems before setting up the puller. Any component that cannot withstand the maximum cable-pulling forces could break and strike nearby personnel with sufficient force to cause severe injury or death.
- Do not allow anything other than the pulling rope to contact the capstan. A grip, swivel, or other component could break and strike operator with great force.

Failure to observe these warnings could result in severe injury or death.



⚠ DANGER

Read and understand all of the instructions and safety information in this manual before operating or servicing this tool.

Failure to observe this warning will result in severe injury or death.



⚠ DANGER

Explosion hazard:
Do not operate the cable puller in a hazardous environment. Hazards include flammable liquids and gases.

Failure to observe this warning will result in severe injury or death.



⚠ WARNING

Crushing hazard:
Do not stand directly under a vertical pull. Cable could fall suddenly from the conduit.
Failure to observe this warning could result in severe injury or death.

KEEP THIS MANUAL



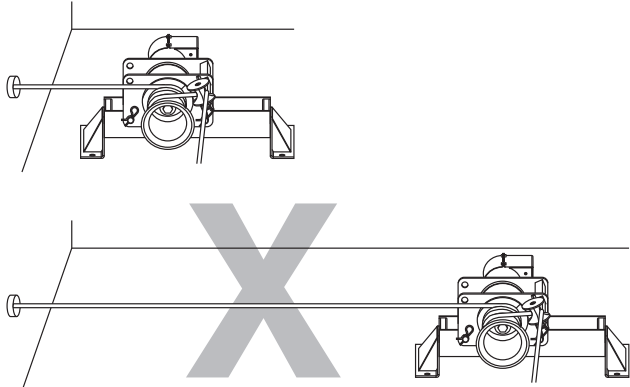
IMPORTANT SAFETY INFORMATION

⚠ WARNING

Flying components hazard:

Locate the puller so that it is close to the conduit. Rope, cable, or connectors could break under tension, causing the rope to whip violently.

Failure to observe this warning could result in severe injury or death.



⚠ WARNING

Attach the pulling rope to the cable with appropriate types of connectors as described in this manual. Select connectors with a maximum-rated capacity of 35.6 kN (8000 lb). An under-rated connector could break under tension.

Failure to observe this warning could result in severe injury or death.

⚠ WARNING



Shear point:

Do not put fingers through holes in elbow unit. Rotating parts may cut off fingers.

Failure to observe this warning could result in severe injury or death.

⚠ WARNING

- Do not maintain a stationary rope on a rotating capstan. The wear generated could cause the rope to break under tension and whip violently.
- Check the condition of the entire rope before use. An under-rated, worn or damaged rope could break and whip violently.
- Use a double-braided composite rope with the following characteristics:
 - Maximum Rated Capacity: at least 35.6 kN (8000 lb)
 - Average Breaking Strength: at least 143 kN (32,000 lb)

Failure to observe these warnings could result in severe injury or death.

⚠ WARNING



Crushing hazard:

Keep hands away from the capstan. Rope at the capstan could crush a hand.

Failure to observe this warning could result in severe injury or death.

⚠ WARNING



Entanglement hazard:

Do not wrap rope around hands, arms, waist, or other body parts. Do not stand in spent coils or tailed rope. Hold rope so that it may be released quickly.

Failure to observe this warning could result in severe injury or death.



IMPORTANT SAFETY INFORMATION

⚠ WARNING

Rope, cable, or a connecting device could break under tension, causing the rope to whip violently.

- Do not allow any unnecessary personnel to remain in the area during the pull.
- Do not allow any personnel to stand in line with the pulling rope.

Failure to observe these warnings could result in severe injury or death.

⚠ WARNING

Rope overlap hazard:

Do not allow the rope to become overlapped on the capstan. If an overlap begins to develop, relax the tailing force immediately and shut off the cable puller.

Failure to observe this warning could result in severe injury or death.

⚠ WARNING

Lifting hazard:

Use this tool for manufacturer's intended purpose only. Do not use the cable puller as a hoist or winch.

- The cable puller cannot lower a load.
- The load could fall.

Failure to observe this warning could result in severe injury or death.

⚠ WARNING

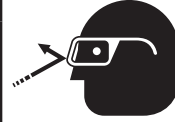
Inspect puller and accessories before use. Replace any worn or damaged components with Greenlee replacement parts. A damaged or improperly assembled item could break and strike nearby personnel with sufficient force to cause severe injury or death.

⚠ WARNING

Entanglement hazard:

- Do not operate the cable puller while wearing loose-fitting clothing.
- Retain long hair.

Failure to observe this warning could result in severe injury or death.



⚠ WARNING

Wear eye protection when using this tool. Failure to wear eye protection could result in severe eye injury from flying debris.

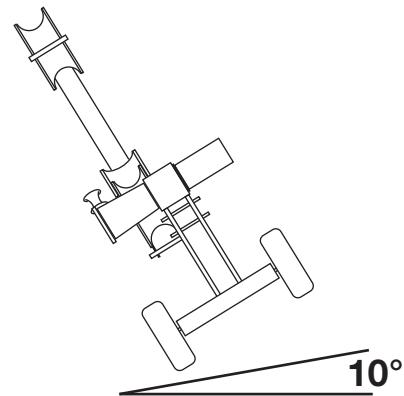
⚠ WARNING

Tipping hazard:

When using the wheeled carriage to transport the cable puller:

- Keep personnel out of the path of transport.
- Evaluate the terrain over which the carriage is to move. If in doubt, obtain additional help and move the carriage slowly.
- Do not transport over inclines of more than 10°.
- Do not transport the carriage with boom tubes longer than the supplied 3' and 4' tubes.


Failure to observe this warning could result in severe injury or death.



Note: Keep all decals clean and legible, and replace when necessary.



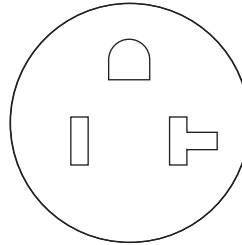
Grounding Instructions

	⚠ WARNING
	Electric shock hazard: Connect this tool to a grounded receptacle on a 20-amp GFCI-protected circuit. Failure to observe this warning could result in severe injury or death.

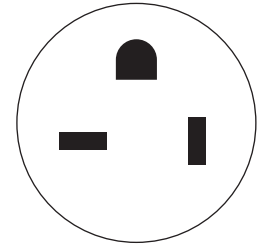
This tool must be grounded. In the event of a malfunction or breakdown, an electrical ground provides a path of least resistance for the electric current. This path of least resistance is intended to reduce the risk of electric shock to the operator.

This tool's electric cord has a grounding conductor and a grounding plug as shown. Connect the plug to receptacle that is properly installed and grounded in accordance with all national and local codes and ordinances. Do not use an adapter.

20-Amp / 115-Volt Plug and Grounded Receptacle



Plug



Receptacle

This tool is equipped with a European-style electrical plug. The electrical plug can be replaced with a compatible plug for the country in which the tool will be used. The electrical plug should be replaced by a qualified electrician. Do not use an adapter.

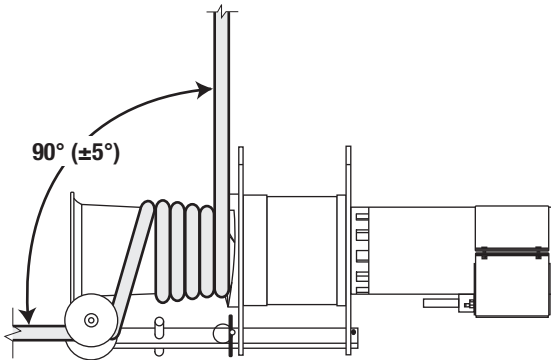


Operation

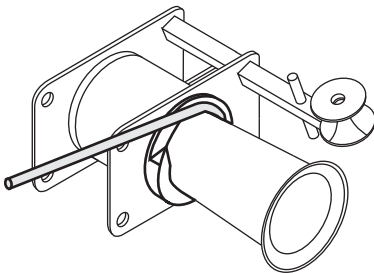
1. Fish the rope through the conduit.
2. Set up the cable puller. Refer to “Typical Setups” illustrations and instructions in the instruction manual for this tool (52042994).

⚠ WARNING

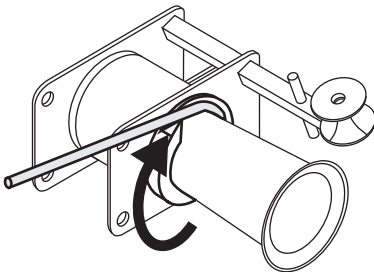
Set up the cable puller so that the rope will approach the capstan at an angle of 90° (±5°). Angles outside of this range may cause the rope to overlap.



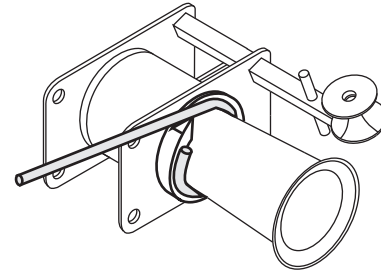
3. Set the rope ramp as follows:
 - a. Wind the rope several times around the capstan.



- b. Pull the ramp away from the mounting plate and rotate it until the flat surface contacts the rope.



- c. Push the ramp toward the mounting plate and rotate it counterclockwise until it locks into place.



4. Check the I/O switch on the puller to be sure it is OFF (O). Plug the puller into the receptacle of the standard force gauge.
5. Connect the force gauge to an appropriate power supply (refer to “Grounding Instructions” in this manual).

Note: If using an extension cord, it must be rated for 20 amps. Use the shortest cord possible. Longer cords reduce puller speed.
6. Position the force gauge so that it can be monitored by the puller operator.

Duty Cycle Table

Color Band on Meter	Pounds of Pulling Force	Duty Cycle (in minutes)
Green	0–17.8 kN (0–4000 lb)	continuous
Yellow	17.8–35.6 kN (4000–8000 lb)	5 per hour
Red	over 35.6 kN (8000 lb)	puller will stop

7. Turn the circuit breaker in the force gauge ON (I).
8. Grasp the tailing end of the rope. Apply a slight amount of tailing force.
9. Turn the puller ON (I).
10. Tail the rope, allowing the spent rope to accumulate on the floor between the operator and the puller.
11. When the pull is complete, turn the puller OFF (O). Tie off the rope and anchor the cable.

⚠ WARNING



Entanglement hazard:

Do not wrap rope around hands, arms, waist, or other body parts. Do not stand in spent coils or tailed rope. Hold rope so that it may be released quickly.

Failure to observe this warning could result in severe injury or death.



Maintenance

⚠ WARNING

Disconnect power supply before servicing this tool, or when not in use.
Failure to observe this warning could result in severe injury or death.

IMPORTANT

Maintenance should be performed by authorized personnel only.

2. Secure motor wires to the motor using tie-wraps. Make sure the wires will not contact the commutator.
3. Connect the brown motor wire to the positive (+) terminal on the rectifier (10). Connect the blue motor wire to the negative (-) terminal on the rectifier.

IMPORTANT

The first reduction hub will be damaged if the motor wires are reversed.

4. Connect the green and yellow wires from the power cord, motor, and filter to the heat sink plate.

General Maintenance Notes

- Replace any part that is broken, cracked, or worn.
- Replace any bearings that do not turn freely.
- Clean all mating surfaces before assembly.
- Replace gearbox grease with Texaco® Regal AFB or equivalent.

Specific Service Notes

- Average brush life for commutator brushes is about 100 hours. Replace brushes if they are shorter than 9.5 mm (3/8").
- Replace rope ramp if it is grooved more than 6.5 mm (1/4").
- Replace the capstan if it is grooved more than 0.15 mm (1/16").
- The puller should not require any lubrication during its normal service life.

Switchbox Removal

1. Remove the four Phillips head screws and cover from the switchbox (1).
2. Remove the green hex head screw (28), three lock washers (29), and three yellow and green wires from the heat sink plate (24).
3. Remove the brown and blue motor wires from the filter (10).
4. Remove 15 hex head screws (23) and top cover (21) from the motor. Be careful not to damage the brown, blue, and green motor wire when you remove the top cover from the motor.
5. Remove the four hex nuts (5), four screws (4), and switchbox (1) from the top cover.

Switchbox Assembly Notes

1. If replacing the rectifier (10) or filter (11), use a thermal contact grease before mounting to heat sink (24).

Motor Removal

Refer to "Illustration: Ultra Tugger Cable Puller"

1. Remove switchbox.
2. Remove seven hex head screws (23) and cover (20) from the motor.
3. Use the 7/16" wrench to remove two hex nuts (34) and end cap (19).

Refer to "Illustration: Motor"

4. Push in and pull out the tab to release the commutator brush springs (2).
5. Use 7/16" wrench and remove four hex nuts, two lock washers, and tail housing (3) from the motor.
6. Remove brush assembly plate (4).
7. Remove the O-ring (35), baffle (22), and end support (18) from the motor housing. (Refer to "Illustration: Ultra Tugger Cable Puller.")
8. Remove magnet housing (5).
9. Remove armature (6).
10. Remove screw holding the air vent protective screen and remove screen (9).

Motor Assembly Notes

1. Apply gasket sealant between gearbox housing and the outside of the front armature housing.
2. If the armature does not turn freely after installation, the wrong gear teeth were engaged.
3. Hold armature in place when installing the magnet housing. Position magnet housing with the roll pin outward and pointed towards 8 o'clock. The square hole of the mounting plate should be positioned at 10 o'clock.
4. Install commutator brush assembly. Wires should be at the 9 o'clock position.
5. Insert magnet housing roll pin into the recess on the tail housing.



Maintenance (cont'd)

Capstan Removal

1. Use a 1-1/8" inch 18-point socket to remove capstan retaining bolt (44) and washers (45).
2. Pull the capstan (37) off of the shaft.
If the capstan is stuck: Pull out the rope ramp. Use two pry bars on opposite sides of the capstan between the gear housing and the capstan.

IMPORTANT

Do not pry against the grease seal. Doing so will damage the seal.

3. Remove key (49).
4. Remove rope ramp (38).

Capstan Assembly Notes

1. Remove oxidation before assembling.
2. **Do not hammer capstan onto shaft.** Use a 65 mm (2-1/2") or longer bolt to draw the capstan onto the shaft.

Right Angle Sheave Bracket Removal

1. Remove detent pin (48).
2. Slide arm towards motor. Use a small punch to remove the roll pin (42).
3. Remove bracket (39).

Gearbox Disassembly

1. Remove motor, capstan, and right angle sheave bracket.
2. Remove the screws (38) on the motor side of the gearbox. Remove the mounting plate (20).
3. Remove the motor mounting housing (2).
4. Pull out the 1st reduction planet gear assembly and thrust washer.
5. Pull out the center shaft (12).
6. Pull out the 2nd reduction planet gear assembly and thrust washer.
7. Push out the output shaft/3rd reduction gear assembly and thrust washer.
8. Remove the screws (37) holding the ring gear (18).
9. Tap the bearing housing (1) off the ring gear and dowel pins. **Do not mar the mating surface to the ring gear.**

Gearbox Assembly Note

1. Clean all ring mating surfaces. Apply a flange sealant (Loctite® 515 or equivalent) to all ring mating surfaces.
2. Install center shaft with the small diameter towards the motor.
3. Install the mounting plates. When viewed from the motor end, the motor mounting studs should be positioned at 1 and 7 o'clock. The square hole in the mounting plate should be between 10 and 11 o'clock.
4. Position mounting plates so the screw heads on the capstan side fit into the counterbores of the mounting plates.

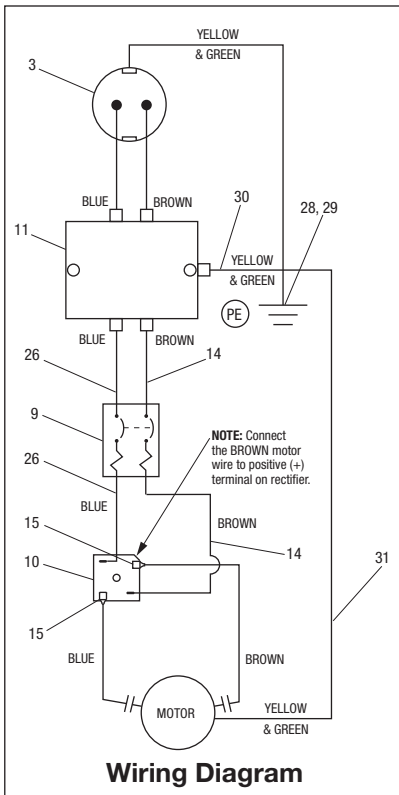
Disassembly of Planet Gear Carriers

1. Remove the flat head screws.
2. Tap or pry off the hub plate from the hub and dowel pins.
3. Remove the thrust washers, gears, thrust washers, and shaft.
4. Remove sun gear ONLY if replacement is required.

Planet Gear Carrier Assembly

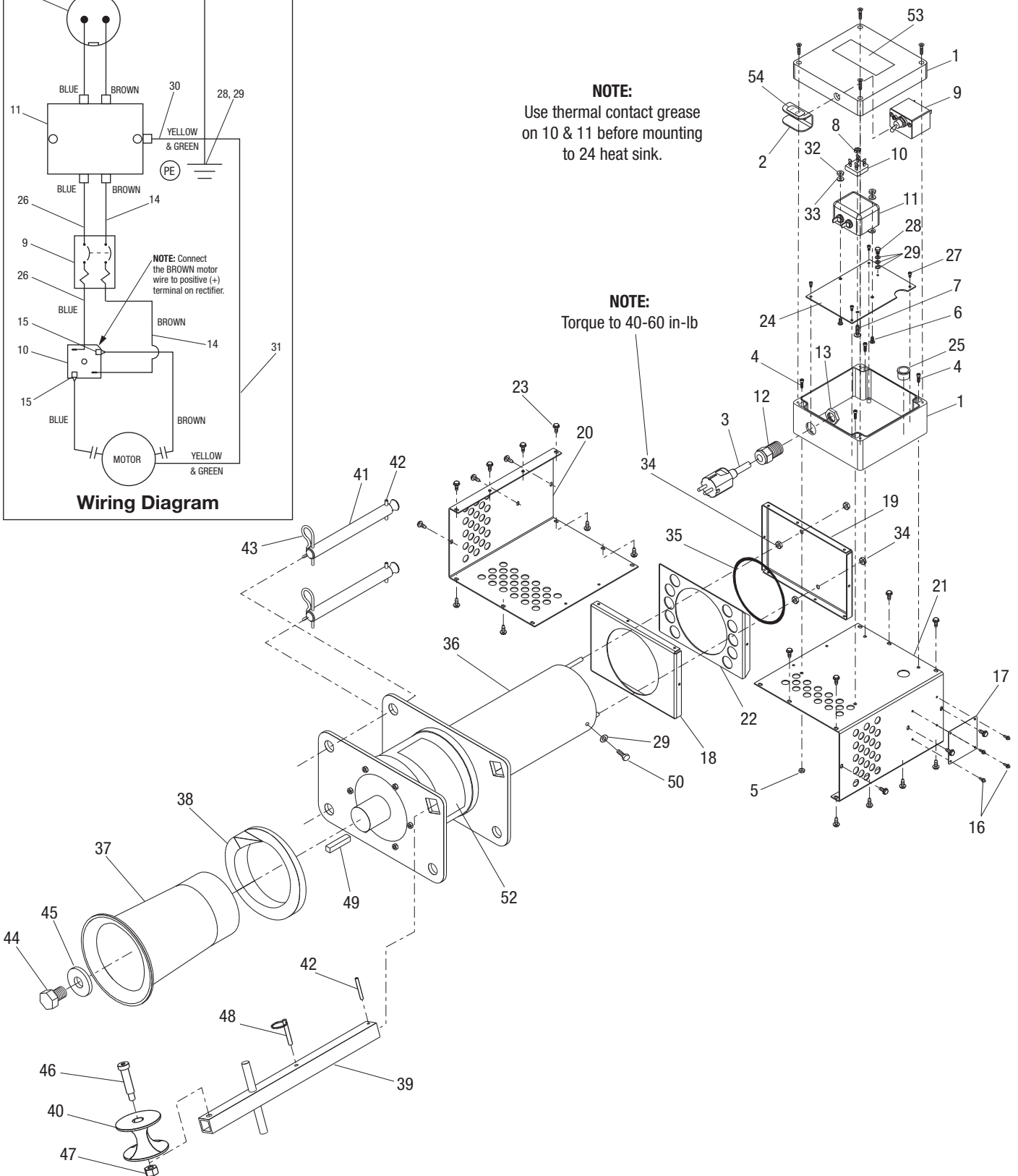
1. Place the shafts in the hub. The end with the flat should face outward.
2. The 1st planet reduction gears must be positioned with the gear end towards the capstan.
3. When replacing the 1st reduction gear bearing/clutch, the locked arrow direction must be counter-clockwise (when viewed from the gear end).
4. **When replacing the ball bearing on the output shaft, the thick side of the outer race must face the capstan.**
5. Use a removable thread locking compound, such as Loctite® 242® Threadlocker or equivalent, on the #10-32 flat head screws (items 35 and 36 on the gearmotor). Follow the manufacturer's instructions for curing.

Illustration—Ultra Tugger Cable Puller (Serial Code ALA)



NOTE:
Use thermal contact grease on 10 & 11 before mounting to 24 heat sink.

NOTE:
Torque to 40-60 in-lb



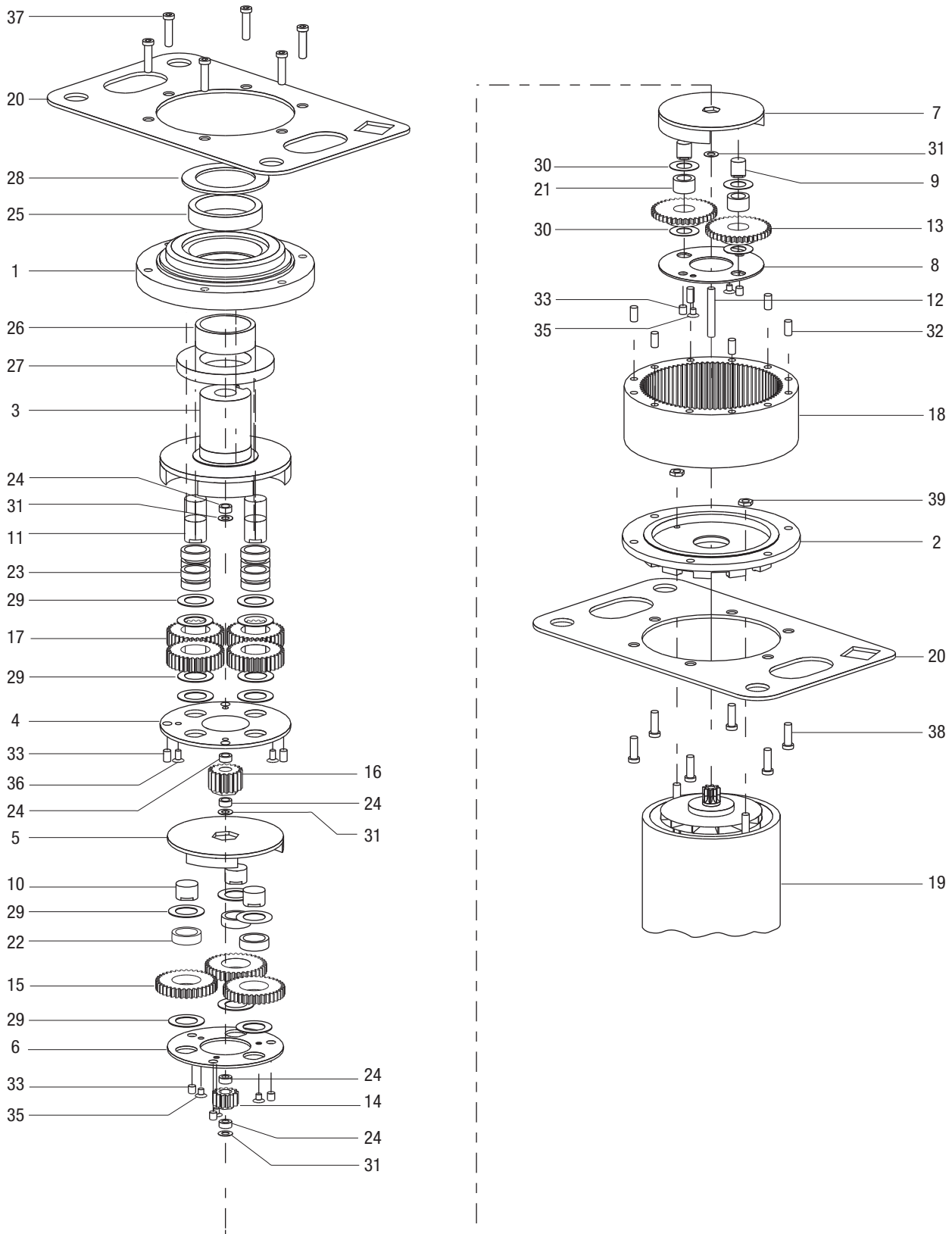


Parts List—Ultra Tugger Cable Puller (Serial Code ALA)

Key	Part No.	Description	Qty	Key	Part No.	Description	Qty
1	50070940	Switchbox	1	31	50071173	Wire unit, green	1
2	50071050	Switch guard.....	1	32	90524349	Nut, hex #8-32	2
3	52042629	Cord unit, power	1	33	90533623	Washer, flat #8-32	2
4	90502787	Screw, cap, #6-32 x .500" socket head	4	34	90517059	Nut, hex 1/4-28.....	4
5	90548493	Nut, hex, #6-32.....	4	35	90552512	O-ring, 4.625 x 4.375 x .125	1
6	90539559	Screw, machine, #8-32 x .375" button head.....	2	36	52006460	Gearmotor.....	1
7	90524918	Screw, machine, #10-24 x .750" round head.....	1	37	50007440	Capstan	1
8	90533453	Nut, hex, #10-24 lock, zinc-plated	1	38	50007513	Ramp, rope	1
9	52042635	Switch/circuit breaker	1	39	50007416	Bar, tie.....	1
10	91868130	Rectifier, 50 amp, bridge.....	1	40	50353110	Sheave, right angle	1
11	91863848	Filter, Curtis.....	1	41*	50007432	Puller pin	2
12	90541243	Bushing, strain relief	1	42*	90507002	Pin, roll, .187" x 1.50"	3
13	91862639	Nut, conduit, 1/2" lock.....	1	43*	90503023	Clip, hitch pin, #8.....	2
14	52042626	Wire unit, black	2	44	90548485	Screw, cap, 3/4-16 x 1.500" hex head, grade 5	1
15	91861047	Terminal, 1/4" push-on 14 ga. insulated	2	45	90548507	Washer, flat, .780 x 2.000 x .250"	2
16	90530012	Rivet, pop, .125.....	4	46	90539214	Screw, shoulder, 5/8 x 1-3/4 x 1/2-13	1
17	52042636	Plate, ID	1	47	90527941	Nut, hex, 1/2-13 zinc-plated.....	1
18	50070959	End support	1	48	90548523	Hitch pin, Rein Leitzke #30-07	1
19	50070967	End cap.....	1	49	90548515	Key, square, .375" x 1.88"	1
20	50070991	Cover	1	50	90533305	Screw, machine, #8-32 x .312" hex head, green	1
21	50071025	Cover, top	1	Repair Kit			
22	50070983	Baffle.....	1	* 50061887	Kit, puller pin (includes one each of the items marked with an asterisk)		2
23	90516559	Screw, #10-16 x 1/2.....	22	Decals			
24	50070975	Heat sink.....	1	52	50010298	Decal, Warning.....	1
25	90552806	Bushing, Heyco.....	1	53	50010590	Decal, Read instruction manual.....	1
26	52042627	Wire unit, white	2	54	50071092	Decal, ON/OFF	1
27	90552768	Screw, SHC M3 x 0.5 x 6mm.....	4		52021541	Decal, WEEE	1
28	90543297	Screw, #8 x .375 SLFTPG hex green... 1			52027440	Decal, RoHS	1
29	90516494	Washer, internal lock.....	4				
30	52042628	Wire unit, green	1				



Illustration—Gearmotor (50006460)





Parts List—Gearmotor (50006460)

Key	Part No.	Description	Qty
1	50006657	Bearing housing.....	1
2	50006630	Motor mount.....	1
3	50006576	Output hub.....	1
4	50006584	Output hub plate.....	1
5	50006622	2nd Reduction hub.....	1
6	50006592	2nd Reduction hub plate.....	1
7	50006606	1st Reduction hub.....	1
8	50006517	1st Reduction hub plate.....	1
9	50006487	1st Reduction shaft.....	2
10	50006495	2nd Reduction shaft.....	3
11	50006509	3rd Reduction shaft.....	4
12	50006479	Center shaft.....	1
13	50006525	1st Reduction planet gear.....	2
14	50006533	2nd Reduction sun gear.....	1
15	50006541	2nd Reduction planet gear.....	3
16	50006550	3rd Reduction sun gear.....	1
17	50006568	3rd Reduction planet gear.....	4
18	50006614	Ring gear.....	1
19	50006649	Motor, 230 V.....	1
20	50006665	Motor mounting plate.....	2
21	90548230	Clutch, Torrington #RCB-081214.....	2
22	90548248	Bearing, Torrington #B-1210.....	3
23	90548256	Bearing, Torrington #B-128.....	8
24	90548264	Bearing, Torrington #B-46.....	5
25	90548272	Bearing, Torrington #BH-3316.....	1

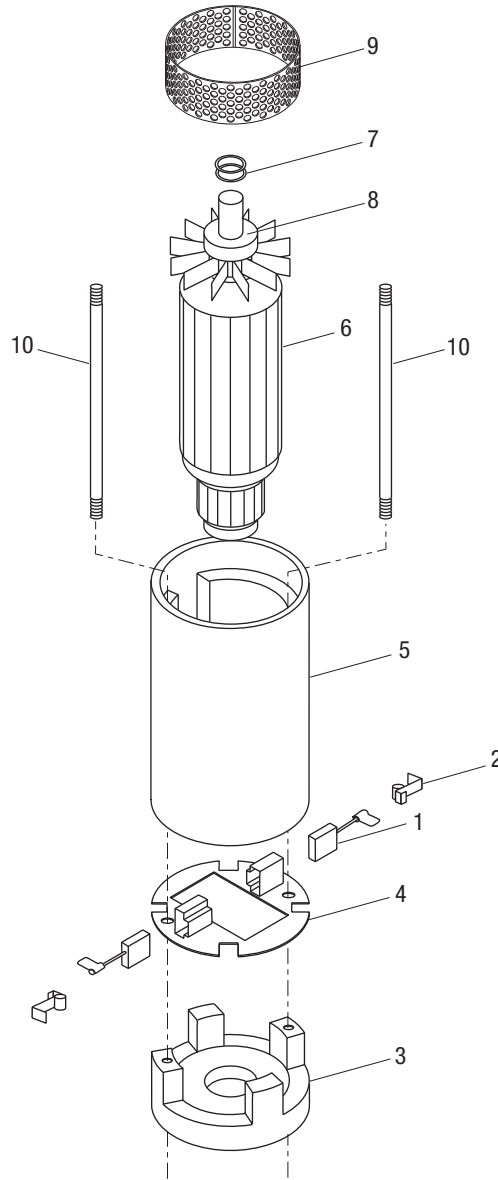
Key	Part No.	Description	Qty
26	90548280	Inner race, Torrington #IR-2824.....	1
27	90548299	Bearing, Fafnir #7209W.....	1
28	90548302	Seal, Freudenberg-Nok #UF-0216E.....	1
29	90548329	Thrust washer, .760 x 1.25 x .020".....	14
30	90548310	Thrust washer, .510 x 1.00 x .020".....	4
31	90548337	Thrust washer, .260 x .50 x .030".....	8
32	90534719	Dowel pin, .250 x 1.250".....	6
33	90541036	Dowel pin, .312 x .625".....	9
35	90548345	Screw, cap, #10-32 x .500", skt. flt. hd.....	5
36	90548353	Screw, cap, #10-32 x .750", skt. flt. hd.....	4
37	90548361	Screw, cap, 1/4-28 x 2.00", skt. hd.....	6
38	90501535	Screw, cap, 1/4-28 x 1.500", skt. hd.....	6
39	90521080	Nut, hex, 1/4-20.....	2

Repair Kits

50022920	Gearmotor repair group #1 (includes items 3, 4, 11, 17, 23, 24[2], 29[2], 33, 36)
50022954	Gearmotor repair group #2 (includes items 5, 6, 10, 15, 16, 22, 24, 29[2], 34, 35)
50022970	Gearmotor repair group #3 (includes items 7-9, 13, 14, 21, 24, 30[2], 31, 34, 35)



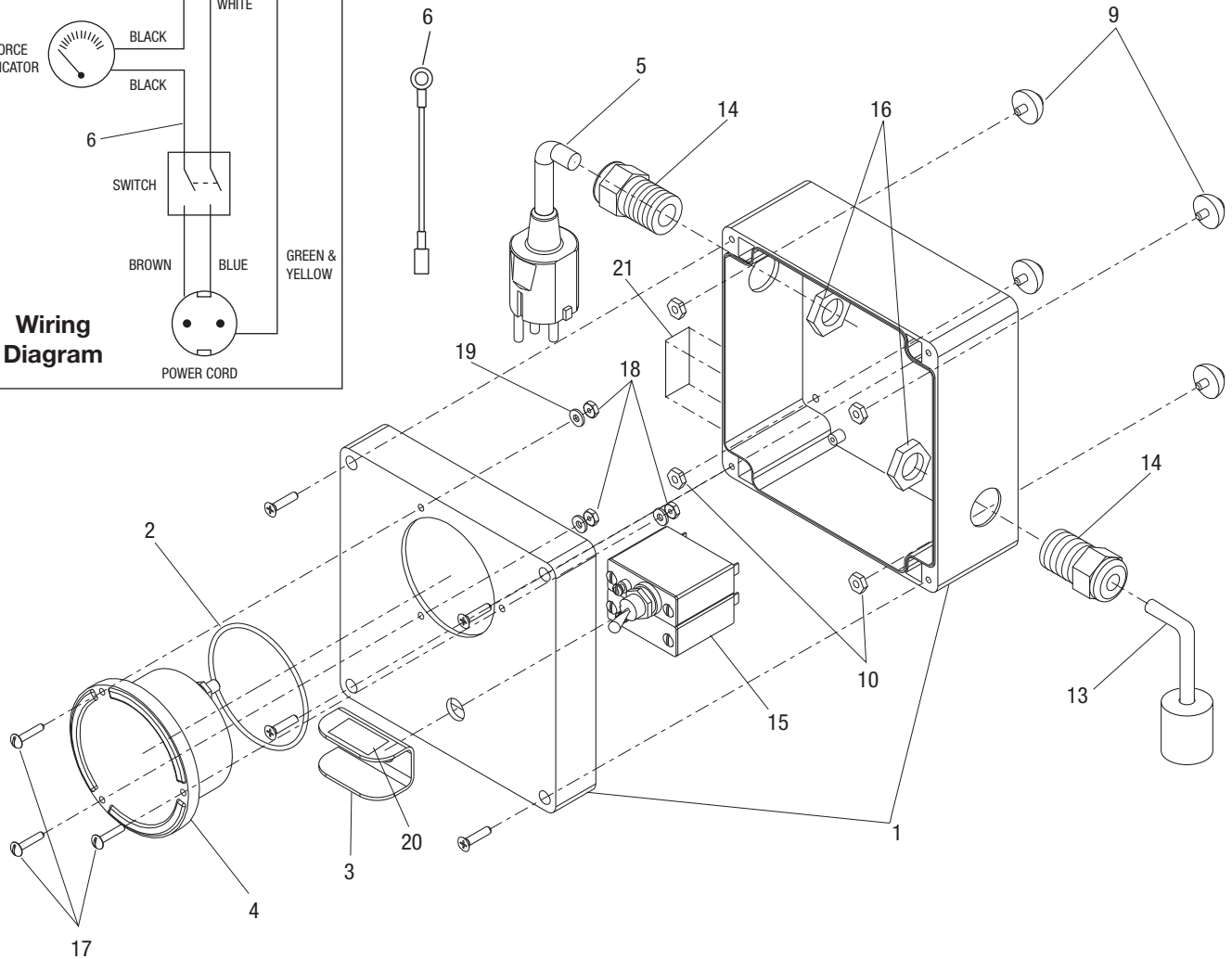
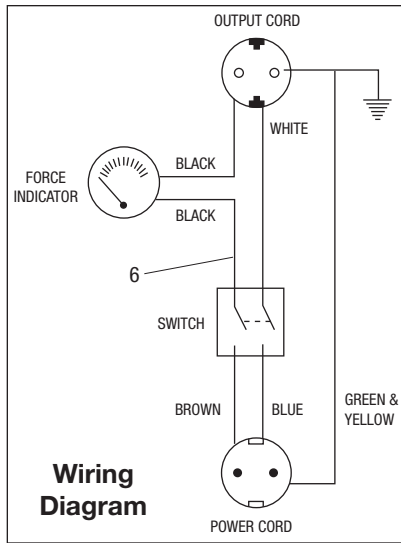
Illustration and Parts List—Motor (50006649)



Key	Part No.	Description	Qty
1	91867053	Commutator brushes.....	2
2	91867061	Commutator brush retention spring	2
3	91865590	Tail housing	1
4	91865603	Brush assembly plate	1
5	91865611	Magnet housing	1
6	91865620	Armature	1
7	90543483	Belleville washers.....	2
8	91860717	Bearing.....	1
9	91869218	Screen.....	1
10	91871000	Threaded rod	2



Illustration and Parts List—Force Gauge (52042630)

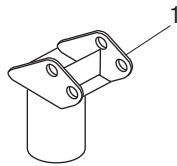


Key	Part No.	Description	Qty
1	52042633	Box.....	1
2	90513509	O-ring, 2.68 x 2.87 x .093	1
3	50071050	Guard, switch.....	1
4	50010760	Meter (includes keys 2,17,18 & 19).....	1
5	52042632	Cord, power	1
6	52042634	Wire unit, 12 AWG x 8", black	1
9	90539346	Bumper, #8-32 mch screw, rubber.....	4
10	90524349	Nut, hex, #8-32.....	4
13	52042631	Cord unit, output.....	1
14	9054124.3	Bushing, strain relief	2

Key	Part No.	Description	Qty
15	91869773	Switch	1
16	91862639	Nut, conduit, 1/2" lock.....	2
17	90537254	Screw, cap, #6-32 x .750", skt btn hd.....	3
18	90548493	Nut, hex, #6-32.....	3
19	90523245	Washer, #6 lock.....	3
Decals			
20	50071092	Decal, ON/OFF	2
21	50071157	Decal, Identification	1

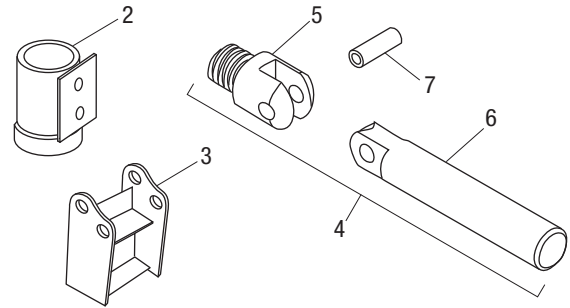
Accessories

Slip-in Couplers



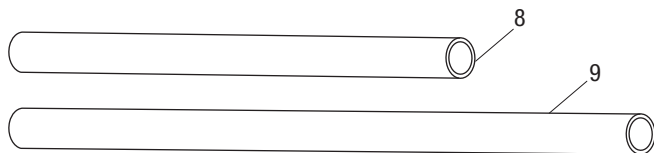
Key	Part No.	Description	Qty
1	50008048	Slip-in coupler for 2-1/2" conduit (EMT, IMC or Rigid).....	1
1	50008110	Slip-in coupler for 3" conduit (EMT, IMC or Rigid).....	1
1	50008153	Slip-in coupler for 3-1/2" conduit (EMT, IMC or Rigid).....	1
1	50008200	Slip-in coupler for 4" conduit (EMT, IMC or Rigid).....	1
1	50008277	Slip-in coupler for 5" conduit (EMT, IMC or Rigid).....	1

Screw-on Couplers



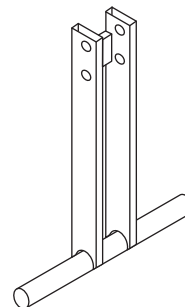
Key	Part No.	Description	Qty
—	50008684	Screw-on coupler set for 2-1/2", 3", 3-1/2" & 4" conduit (includes items 2, 3, and 4)	
2	50036610	Screw-on coupler for 2" IMC or Rigid only.....	1
2	50007815	Screw-on coupler for 2-1/2" IMC or Rigid only	1
2	50007823	Screw-on coupler for 3" IMC or Rigid only.....	1
2	50007831	Screw-on coupler for 3-1/2" IMC or Rigid only	1
2	50007840	Screw-on coupler for 4" IMC or Rigid only.....	1
3	50007998	Adapter for screw-on IMC or Rigid only	1
4	50008773	Screw assembly (includes items 5, 6 and 7).....	2
5	50007955	Screw	1
6	50007963	Handle.....	1
7	90527178	Roll Pin.....	1

Boom Tubes



Key	Part No.	Description	Qty
8	50008358	3' Boom tube	1
9	50007912	4' Boom tube	1

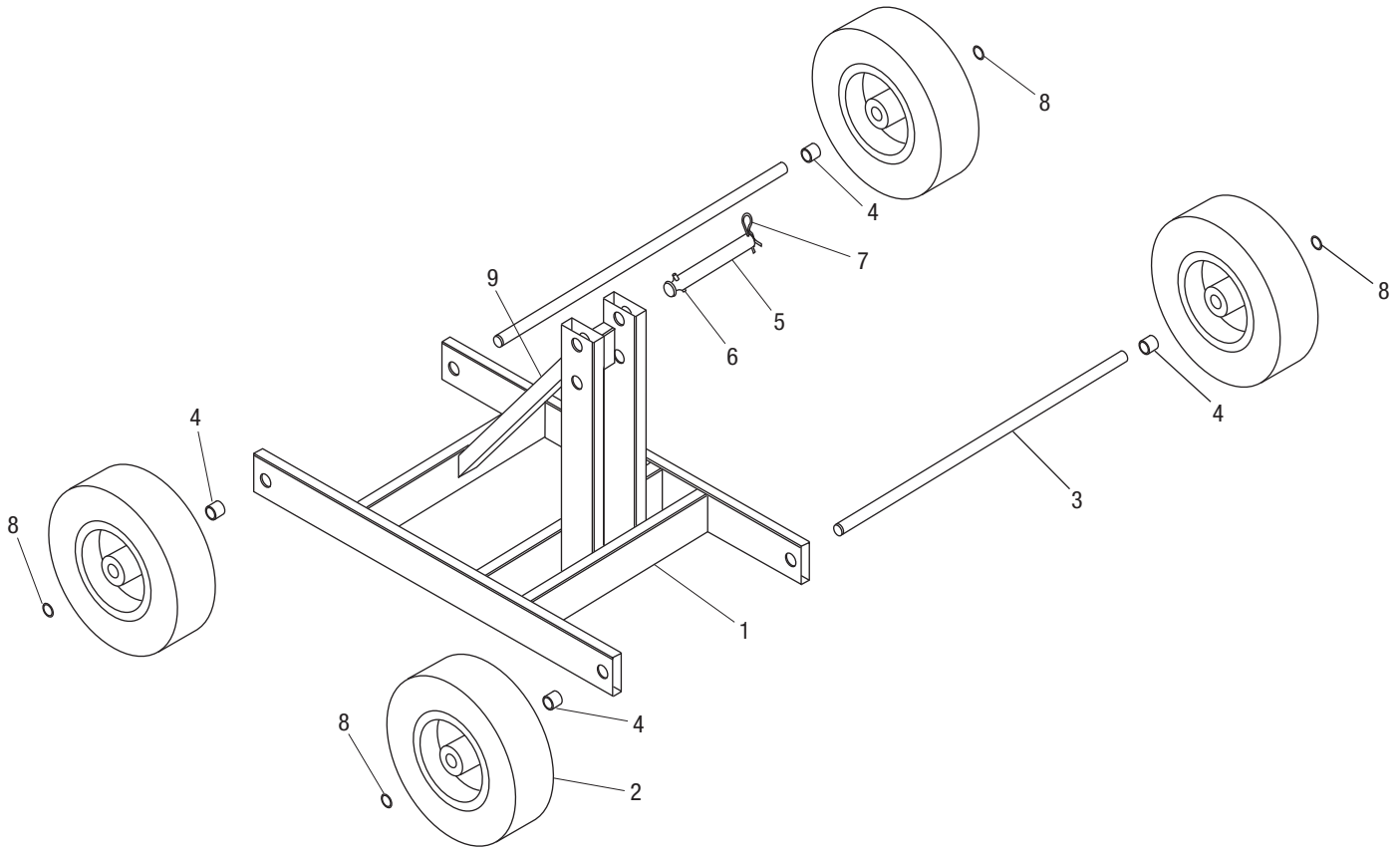
T-Stand (50008676)





Accessories (cont'd)

Wheeled Carriage (50008706)



Key	Part No.	Description	Qty
1	50007700	Frame.....	1
2	90548396	Wheel, 4.10/3.50-6 x 3/4 shaft, 3" hub length	4
3	50007688	Axle.....	2
4	50320262	Spacer, .824 x 1.05 x .750".....	4
5*	50007432	Puller pin.....	2
6*	90507002	Pin, roll, .187 x 1.50".....	2
7*	90503023	Clip, hitch pin #8.....	2
8	90515285	Retaining ring, .750", Truarc #5160-75-S-PP.....	4
9	50010638	Decal, Warning.....	1

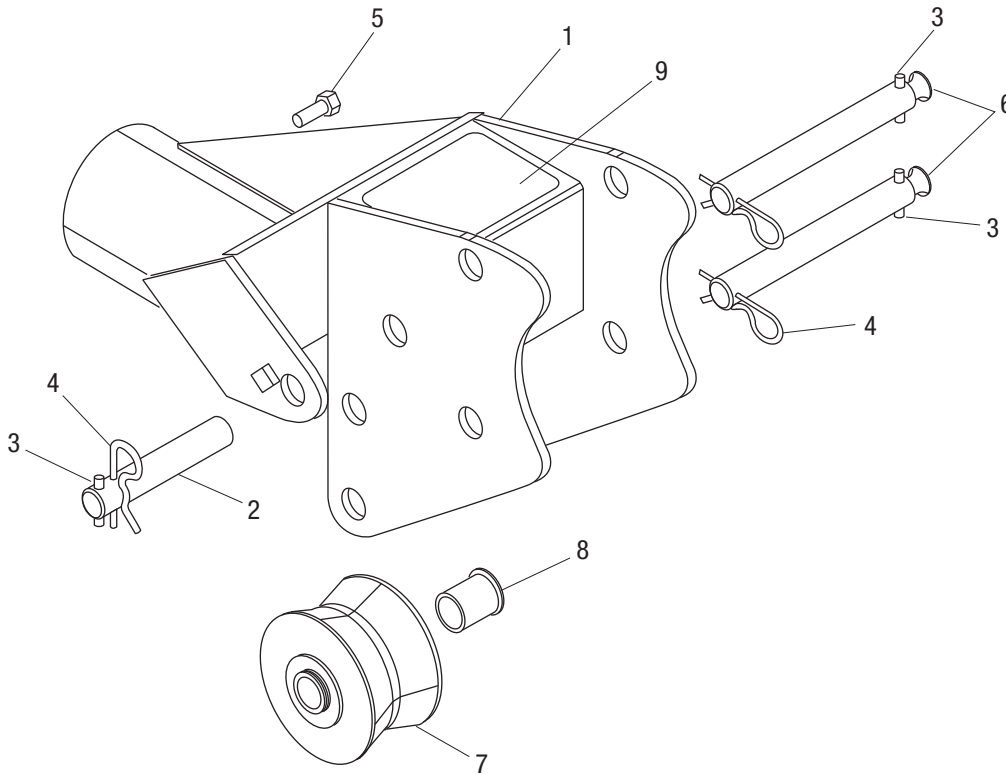
Repair Kit

*	50061887	Kit, puller pin (includes one each of items marked with an asterisk).....	2
---	----------	--	---



Accessories (cont'd)

Boom Mount (50008714)



Key	Part No.	Description	Qty
1	50007610	Frame.....	1
2+	50007556	Shaft.....	1
3*+	90507002	Pin, roll, .187 x 1.50"	3
4*+	90503023	Clip, hitch pin #8.....	3
5	90505301	Screw, cap, 3/8-16 x 1.000" hex head	1
6*	50007432	Puller pin.....	2
7	50009206	Wheel unit, idler	1
8	50167987	Bushing.....	2
9	50010310	Decal, Warning.....	1

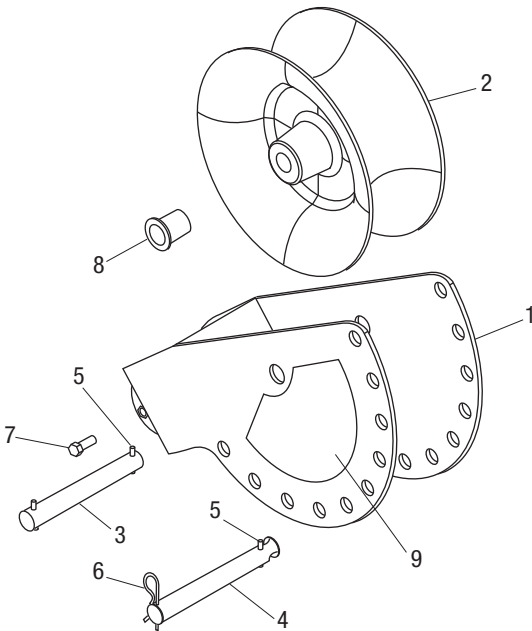
Repair Kits

*	50061887	Kit, puller pin (includes one each of items marked with an asterisk)	2
+	50061917	Kit, shaft (includes one each of items marked with a plus sign)	1

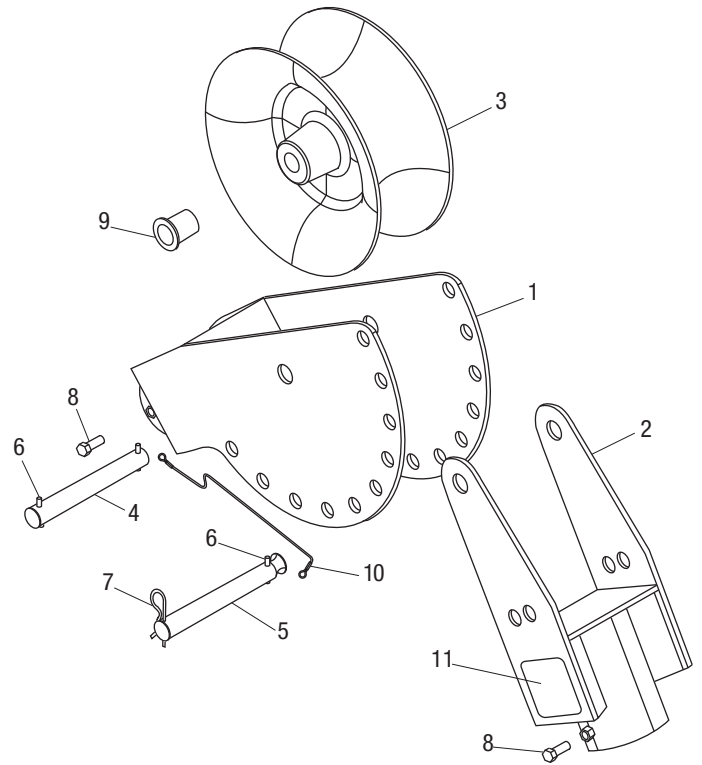


Accessories (cont'd)

Nose Unit (50008641)



Elbow Unit (50008633)



Key	Part No.	Description	Qty
1	50008323	Elbow, adjustable.....	1
2	50008439	Sheave unit, 12".....	1
3	50007904	Shaft, elbow.....	1
4	50007432	Puller pin.....	1
5*	90507002	Pin, roll, .187 x 1.50".....	3
6*	90503023	Clip, hitch pin #8.....	1
7	90505301	Screw, cap, 3/8-16 x 1.000" hex head.....	1
8	90548388	Bushing.....	2
9	50010425	Decal, Warning.....	1

Repair Kits

- * 50061887 Kit, puller pin (includes one each of items marked with an asterisk).....2
- 50061925 Kit, elbow shaft (includes one of item 3 and two of item 5).....2

Key	Part No.	Description	Qty
1	50008323	Elbow, adjustable.....	1
2	50008285	Elbow, pivot.....	1
3	50008439	Sheave unit, 12".....	1
4	50008366	Shaft, pivot.....	1
5*	50008374	Pin, elbow.....	1
6*	90507002	Pin, roll, .187 x 1.50".....	3
7*	90503023	Clip, hitch pin #8.....	1
8	90505301	Screw, cap, 3/8-16 x 1.000" hex head.....	2
9	90548388	Bushing.....	2
10	50013971	Lanyard.....	1
11	50010328	Decal, Warning.....	1

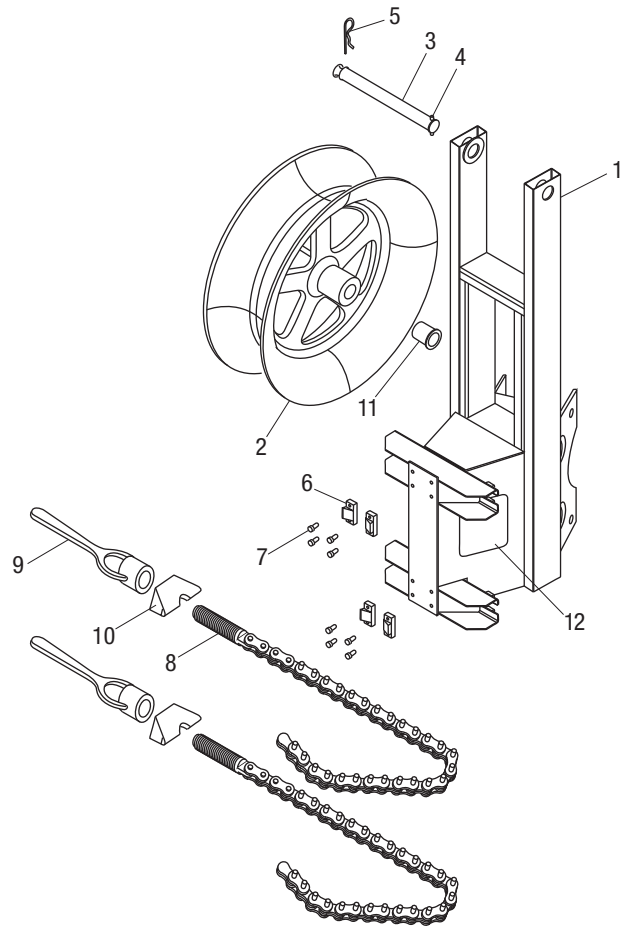
Repair Kits

- * 50061941 Kit, elbow pins (includes one each of items marked with an asterisk)..... 1
- 50061950 Kit, pivot pins (includes one of item 4 and two of item 6)..... 1

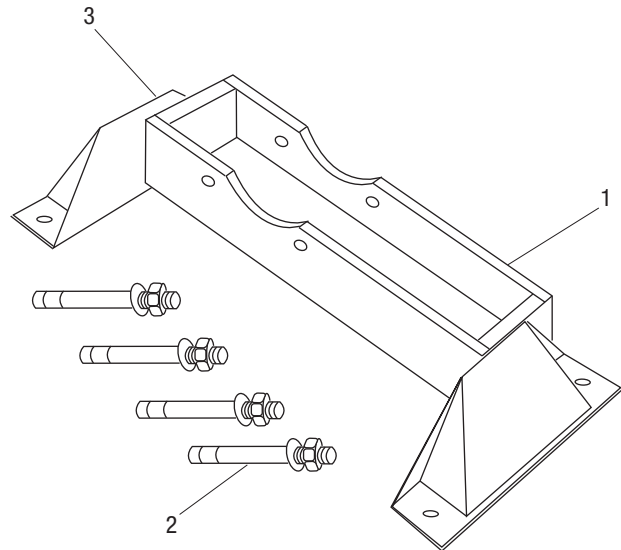


Accessories (cont'd)

Pipe Adapter Assembly (50008625)



Floor Mount (50008650)



Key	Part No.	Description	Qty
1	50007890	Frame.....	1
2	50356070	Anchor, wedge, .625 x 6.00".....	4
3	50010476	Decal, Warning.....	1

Key	Part No.	Description	Qty
1	50006681	Frame.....	1
2	50008447	Sheave unit, 18".....	1
3*	50006908	Shaft.....	1
4*	90507002	Pin, roll, .187 x 1.50".....	1
5*	90503023	Clip, hitch pin #8.....	1
6	50296647	Foot.....	4
7	90505794	Screw, cap, 1/4-20 x .500", skt hd	8
8	50278312	Screw unit, 24" vise chain	2
9	50296302	Handle unit, vise chain.....	2
10	50296388	Positioner, chain.....	2
11	90548388	Bushing.....	2
12	50010468	Decal, Warning.....	1

Repair Kit

*	50061933	Kit, shaft (includes one each of items marked with an asterisk)	1
---	----------	---	---



USA	800-435-0786	Fax: 800-451-2632
	815-397-7070	Fax: 815-397-1865
Canada	800-435-0786	Fax: 800-524-2853
International	+1-815-397-7070	Fax: +1-815-397-9247

4455 Boeing Drive • Rockford, IL 61109-2988 • USA • 815-397-7070
An ISO 9001 Company • Greenlee Textron Inc. is a subsidiary of Textron Inc.

www.greenlee.com