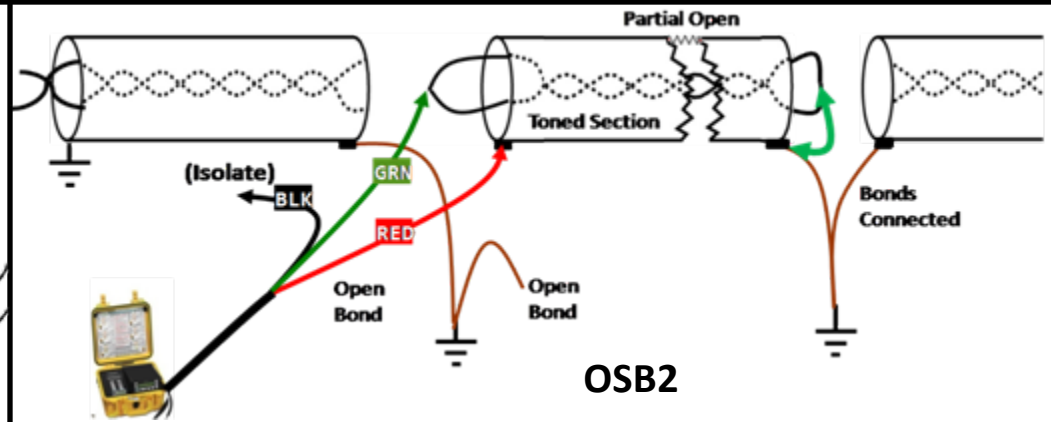
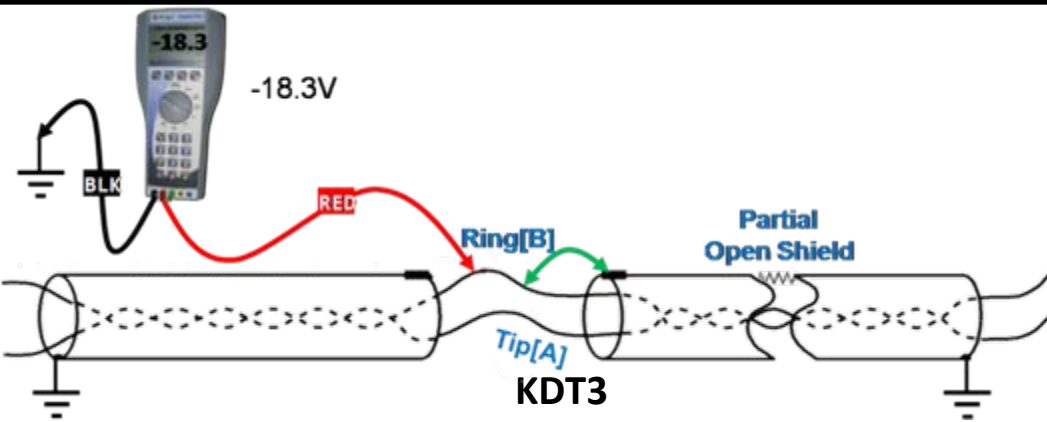
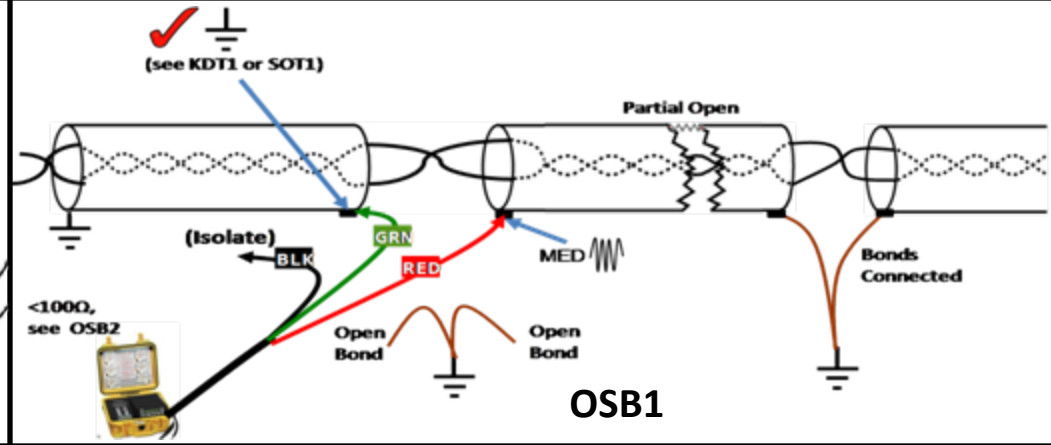
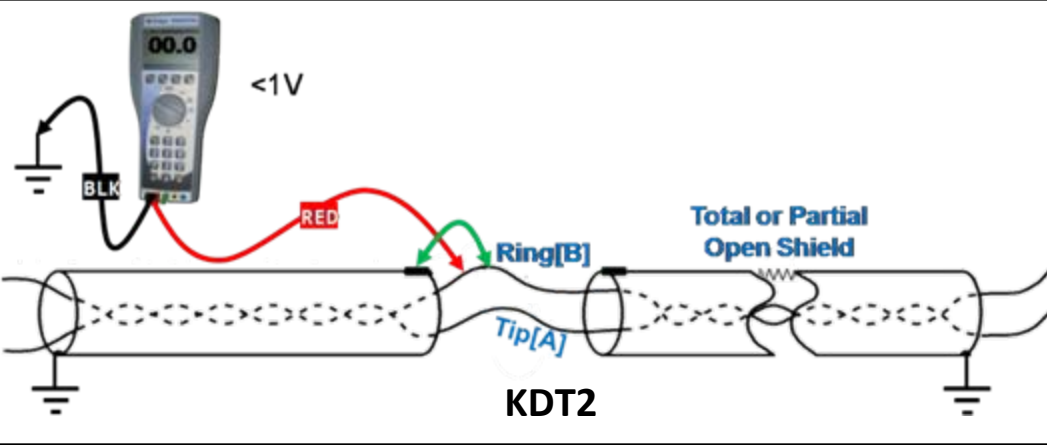
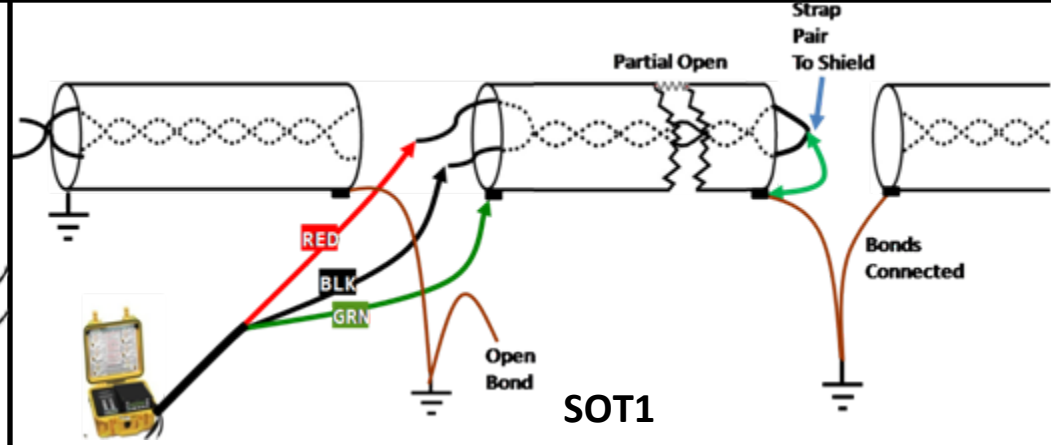
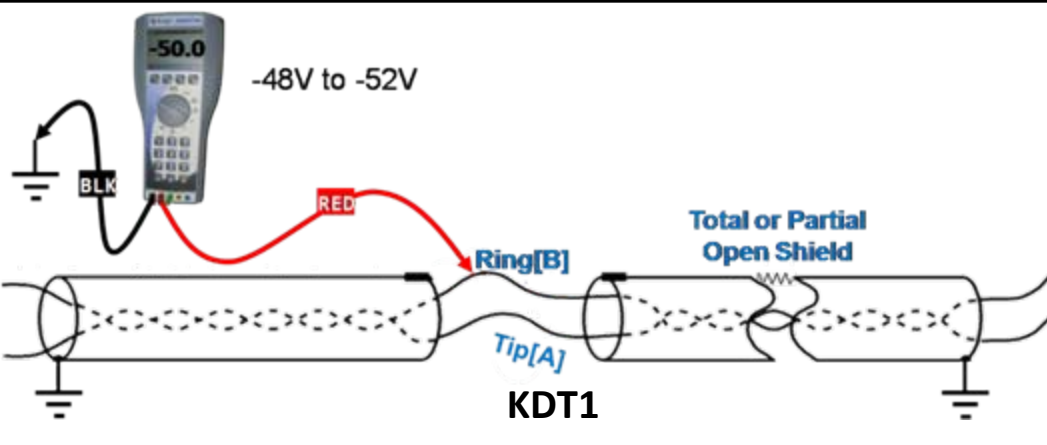
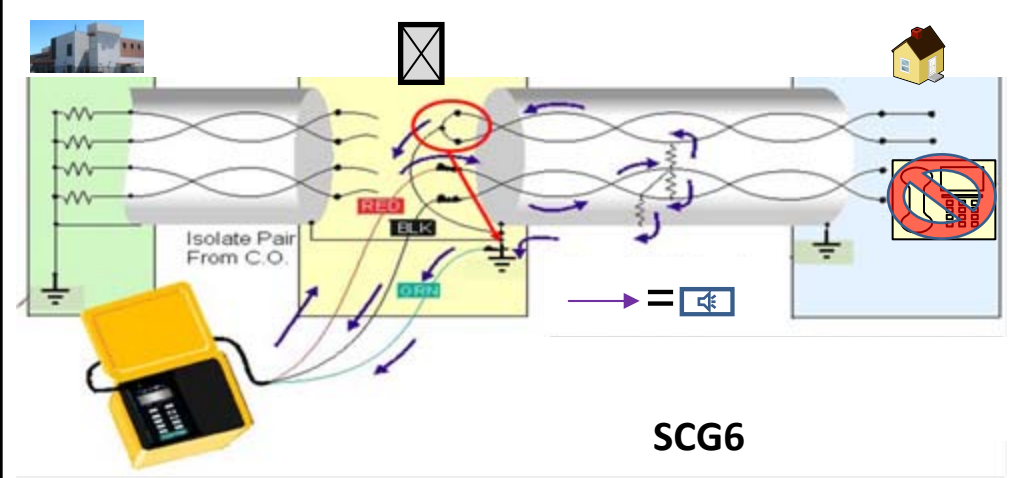
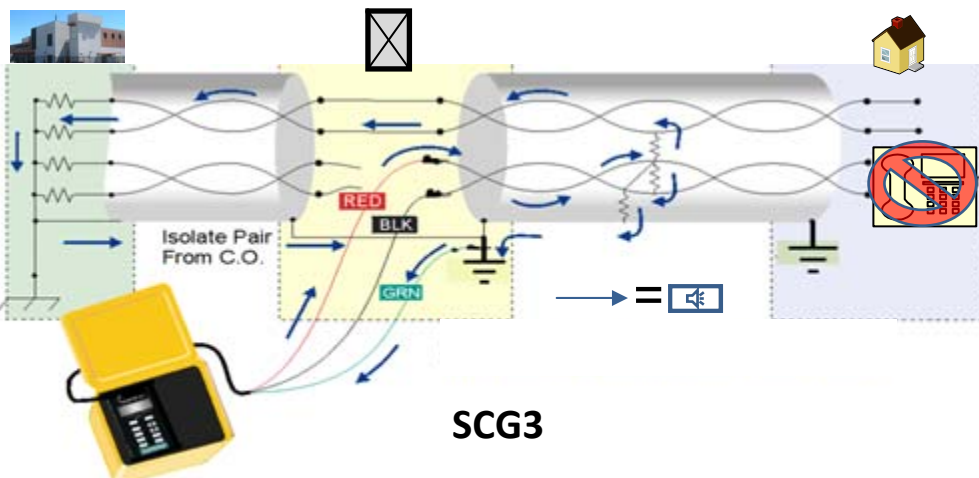
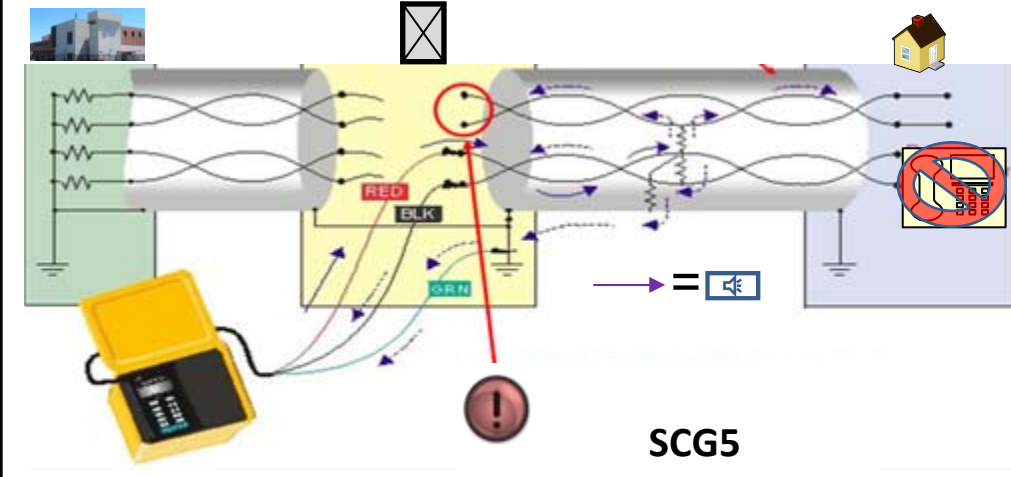
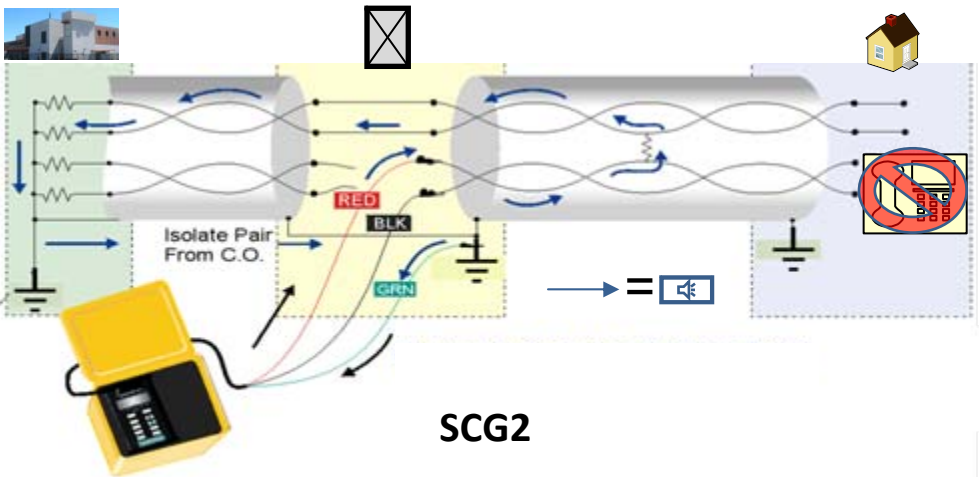
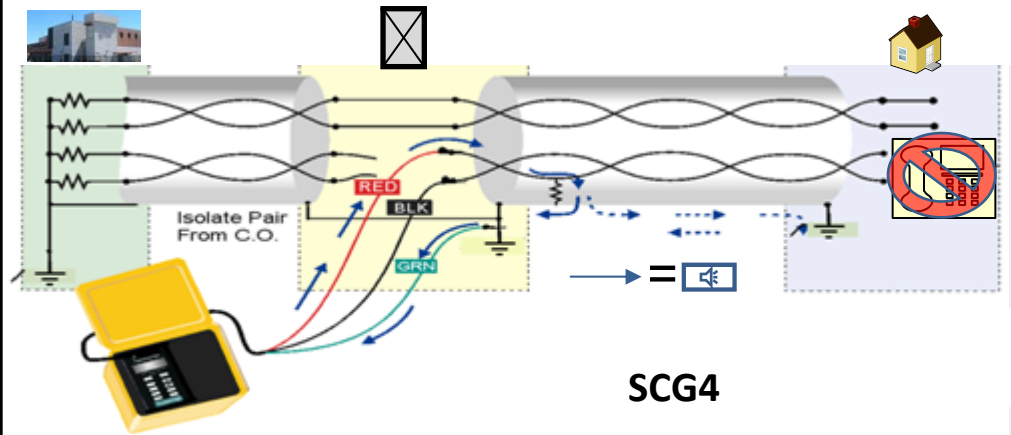
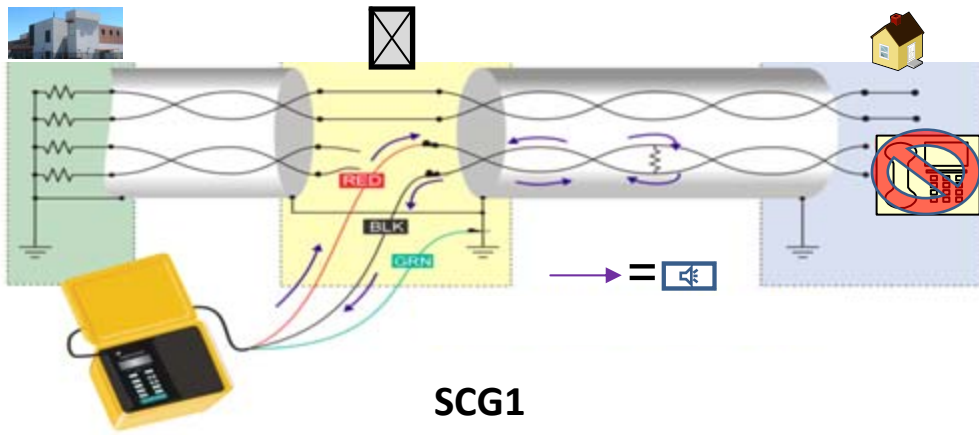


ToneRanger Quick Guide

Isolate & Locate an Open Shield





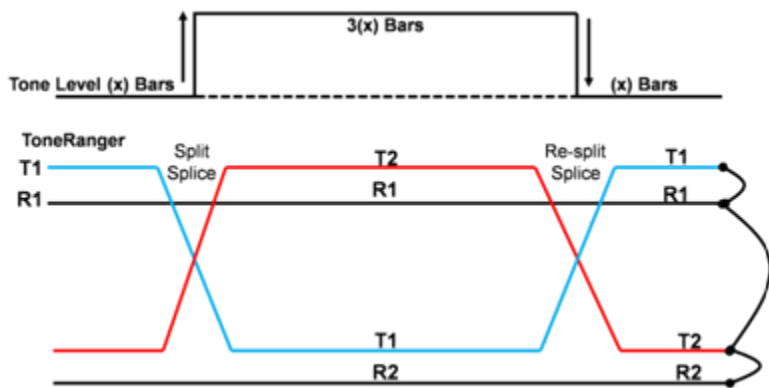
Locatable Fault Range Table

Fault [Falla]	Aerial Max.	Buried [Subt] Max.	Depth [Bajo] Max.
Short [Corto]	50k Ω	20k Ω	1½ ft. [.5m]
Cross [Cruzado]	100k Ω	20k Ω	2½ ft. [.8m]
Ground [Tierra]	100k Ω	50k Ω	5 ft. [1.5m]
Split [Transpuesto]	Strap	Strap	3 ft. [1m]
Wet Splice [Humedo]	100k Ω	100k Ω	5 ft. [1.5m]

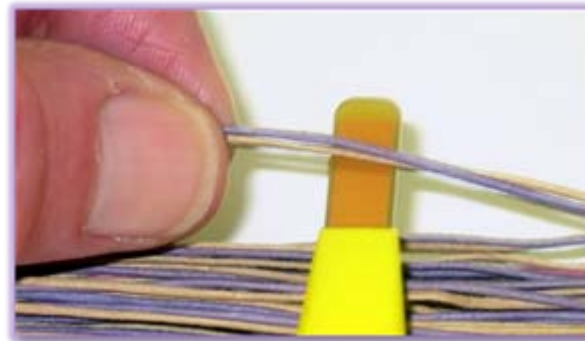
Pair-ID



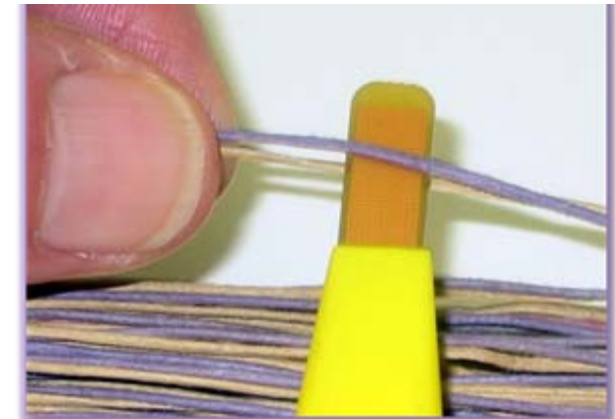
PID1



Split



PID2



PID3

