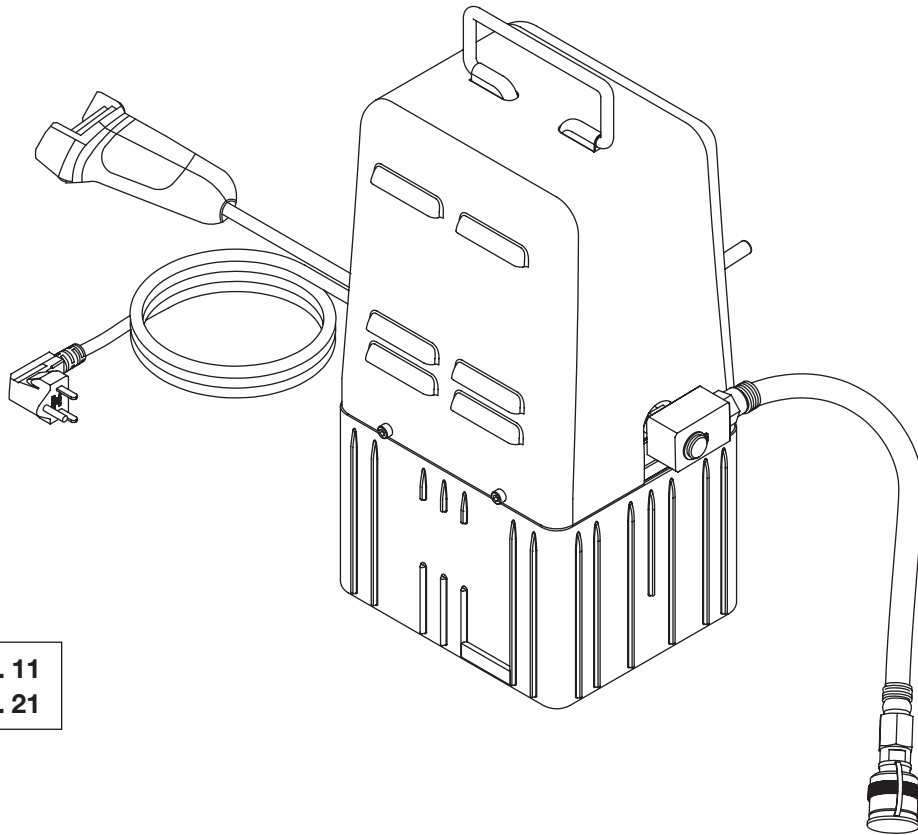


# INSTRUCTION MANUAL



Español..... 11  
Français..... 21

## 990 Hydraulic Power Pump



**Read and understand** all of the instructions and safety information in this manual before operating or servicing this tool.

Register this product at [www.greenlee.com](http://www.greenlee.com)


## Table of Contents

Description .....	2
Safety .....	2
Purpose of this Manual .....	2
Important Safety Information .....	3-4
Identification .....	5
Specifications .....	5
Setup .....	6
Hydraulic Connection .....	6
Electrical Connection/Grounding Instructions .....	6
Operation.....	7
Operating Instructions .....	7
Refilling Hydraulic Fluid .....	7
Manual Release Shaft .....	7
Maintenance.....	8
Troubleshooting.....	9
Illustrations and Parts Lists .....	31-36
Main .....	31-32
Solenoid Valve Assembly.....	33
Pressure Switch .....	34
Pump Assembly.....	35
High Pressure Joint.....	36

## Description

The Greenlee 990 Hydraulic Power Pump is an electrically powered single-stage pump that develops a maximum of 700 bar (10,000 psi). This pump is intended to provide hydraulic power for remote cutting and crimping tools.

This pump has a factory-set internal pressure relief valve.

	<b>CAUTION</b>
	<p>Fill unit with hydraulic oil before operating pump.</p> <p>Failure to fill unit with oil will result in damage to the pump.</p>

## Safety

Safety is essential in the use and maintenance of Greenlee tools and equipment. This instruction manual and any markings on the tool provide information for avoiding hazards and unsafe practices related to the use of this tool. Observe all of the safety information provided.

## Purpose of this Manual

This manual is intended to familiarize all personnel with the safe operation and maintenance procedures for the Greenlee 990 Hydraulic Power Pump.

Keep this manual available to all personnel.

Replacement manuals are available upon request at no charge at [www.greenlee.com](http://www.greenlee.com).



**Do not discard this product or throw away!**

For recycling information, go to [www.greenlee.com](http://www.greenlee.com).

All specifications are nominal and may change as design improvements occur. Greenlee Textron Inc. shall not be liable for damages resulting from misapplication or misuse of its products. Mobil DTE is a registered trademark of Mobil Oil Corp.

# KEEP THIS MANUAL

## IMPORTANT SAFETY INFORMATION



### SAFETY ALERT SYMBOL

This symbol is used to call your attention to hazards or unsafe practices which could result in an injury or property damage. The signal word, defined below, indicates the severity of the hazard. The message after the signal word provides information for preventing or avoiding the hazard.

#### **⚠ DANGER**

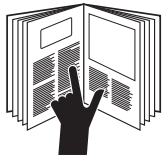
Immediate hazards which, if not avoided, **WILL** result in severe injury or death.

#### **⚠ WARNING**

Hazards which, if not avoided, **COULD** result in severe injury or death.

#### **⚠ CAUTION**

Hazards or unsafe practices which, if not avoided, **MAY** result in injury or property damage.



#### **⚠ DANGER**

Read and understand all of the instructions and safety information in this manual before operating or servicing this tool.

Failure to observe this warning will result in severe injury or death.

#### **⚠ DANGER**

Do not connect the pump to any system or system component other than those supplied by Greenlee. Other manufacturers' components may not withstand the maximum pressure and may fail. Nearby personnel can be injured by flying components and hydraulic oil.

Failure to observe this warning will result in severe injury or death.

#### **⚠ DANGER**

Do not alter the internal high-pressure relief valve setting. Altering this setting will change the maximum pressure the pump can develop, which can cause a component failure. Nearby personnel can be injured by flying components and hydraulic oil.

Failure to observe this warning will result in severe injury or death.





#### **⚠ DANGER**


Do not use this pump in a hazardous environment. Hazards include flammable liquids, gases, or other materials. Using this pump in a hazardous environment can result in a fire or explosion.

Failure to observe this warning will result in severe injury or death.

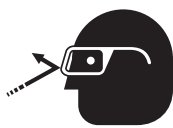
## IMPORTANT SAFETY INFORMATION

	<p style="text-align: center;"><b>⚠ WARNING</b></p> <p>Electric shock hazard:</p> <ul style="list-style-type: none"> <li>Do not expose power tools to rain.</li> <li>Do not immerse the pendant switch in water or other liquid.</li> </ul> <p>Failure to observe these warnings could result in severe injury or death.</p>
---	--

	<p style="text-align: center;"><b>⚠ CAUTION</b></p> <p>Fill unit with hydraulic oil before operating pump.</p> <p>Failure to fill unit with oil will result in damage to the pump.</p>
---	--

	<p style="text-align: center;"><b>⚠ WARNING</b></p> <p>Skin injection hazard:</p> <ul style="list-style-type: none"> <li>Do not use hands to check for leaks.</li> <li>Depressurize hydraulic system before servicing or disconnecting the hose.</li> </ul> <p>High pressure oil easily punctures skin, causing serious injury, gangrene, or death. If injured, seek medical help immediately to remove oil.</p>
---	--

<p style="margin: 0;"><b>⚠ CAUTION</b></p>
<ul style="list-style-type: none"> <li>The pump is heavy and requires two persons to lift. Improper lifting can result in injury.</li> <li>Do not use hose or cord to pull, lift, or carry the equipment. Misuse will damage the hose or cord.</li> </ul> <p>Failure to observe these precautions may result in injury or property damage.</p>

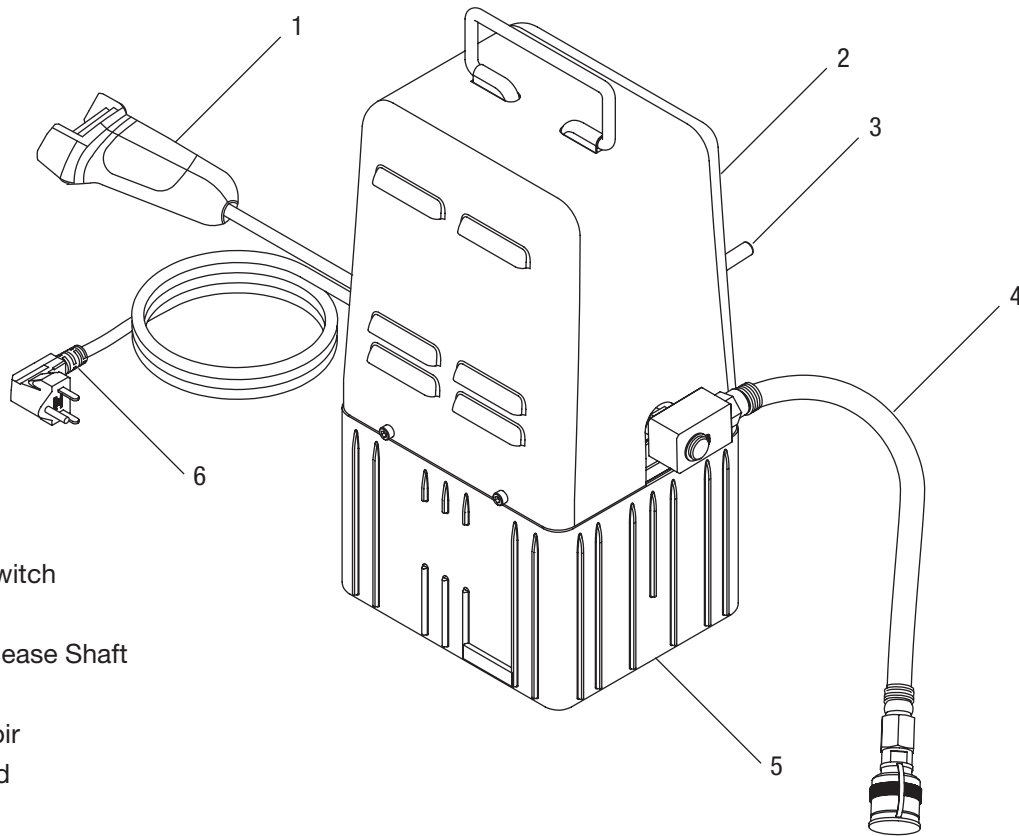
	<p style="text-align: center;"><b>⚠ WARNING</b></p> <p>Wear eye protection when using this tool.</p> <p>Failure to wear eye protection could result in serious eye injury from flying debris or hydraulic oil.</p>
---	--

<p style="margin: 0;"><b>IMPORTANT</b></p>
<p>Make sure all hose fittings are properly seated before starting the pump. Incomplete connections may not allow the accessory's ram to retract after the hydraulic operation is finished.</p>

*Note: Keep all decals clean and legible, and replace when necessary.*

<p style="margin: 0;"><b>⚠ WARNING</b></p>
<p>Inspect pump, hoses, couplers, and fittings for wear or damage. Replace worn, damaged, or missing components with Greenlee replacement parts. Worn or damaged components can fail, resulting in injury.</p> <p>Failure to observe this warning could result in severe injury or death.</p>

## Identification



1. Pendant Switch
2. Cover
3. Manual Release Shaft
4. Hose
5. Oil Reservoir
6. Power Cord

## Specifications

### Dimensions

Length .....	9.6" (244 mm)
Width .....	6.3" (160 mm)
Height .....	13.8" (350 mm)
Weight .....	32.4 lb (14.7 kg)
Reservoir Capacity .....	3.2 qt (3 l)
Maximum Operating Pressure .....	10,000 psi (700 bar)

### Oil Delivery


At Low Pressure .....	159 in <sup>3</sup> /min (2.6 l/min)
At High Pressure .....	19 in <sup>3</sup> /min (0.32 l/min)
3/4 hp Heavy-duty Motor .....	Single-phase 50/60 Hz 120 V motor
Single-stage pumping action	

## Setup

### Hydraulic Connection

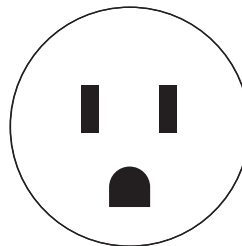
1. Clean all couplers, threaded fittings, ports, and the area around all ports.
2. Remove any dust caps from couplers.
3. Hand-tighten all couplings firmly (until all threads are fully engaged). Do not use tools.

### Electrical Connection/ Grounding Instructions

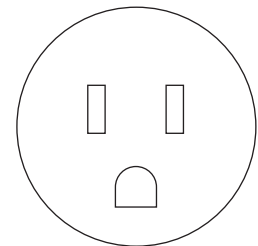
	<b>⚠ WARNING</b>
	<p>Electric shock hazard:</p> <ul style="list-style-type: none"> <li>• Do not modify the plug provided with the tool.</li> <li>• Connect this tool to a grounded receptacle on a 15 amp GFCI-protected circuit.</li> </ul> <p>Failure to observe these warnings could result in severe injury or death.</p>

This tool must be grounded. In the event of a malfunction or breakdown, an electrical ground provides a path of least resistance for the electric current. This path of least resistance is intended to reduce the risk of electric shock.

This tool's electric cord has a grounding conductor and a grounding plug as shown. Do not modify the plug. Connect the plug to a corresponding 15 amp GFCI-protected receptacle that is properly installed and grounded in accordance with all national and local codes and ordinances. Do not use an adapter.



**Plug**



**Receptacle**

### Extension Cord Specifications


Diameter ..... 1.5 mm<sup>2</sup> (14 AWG)

Length ..... 30 m (100 ft)

Use only three-wire extension cords. Use of an inadequate extension cord will cause the motor to stall.

The power cord should not be unnecessarily long in order to avoid a voltage drop, which might affect the efficiency of the pump.

## Operation

	<h3>⚠ WARNING</h3>
	<p><b>Skin injection hazard:</b></p> <ul style="list-style-type: none"> <li>Do not use hands to check for leaks.</li> <li>Depressurize hydraulic system before servicing or disconnecting the hose.</li> </ul> <p>High pressure oil easily punctures skin, causing serious injury, gangrene, or death. If injured, seek medical help immediately to remove oil.</p>

<h3>IMPORTANT</h3>
<p>Procedure for depressurizing the hydraulic system:</p> <ol style="list-style-type: none"> <li>Disconnect the pump from the power source.</li> <li>Press down on the manual release shaft and allow the ram to retract fully.</li> <li>Disconnect the hose slowly to release any trapped pressure.</li> </ol>

## Operating Instructions

- To remove any air trapped in the hydraulic system, position the tool head lower than the pump. Use the pump to advance and retract the cylinder piston several times to remove any air trapped in the hydraulic hose or tool head.
- The pump automatically stops after finishing its task and the fail-safe pressure release valve system is activated. Electric valve cuts power when the pressure reaches 700 bar (10,000 psi). The backup hydraulic pressure release valve activates at 758 bar (11,000 psi.)
- To reset the attached tool, press the ► button on the pendant switch to release pressure.
- Disconnect the couplers and the hose and replace the dust caps to all couplers. If the couplers cannot be disconnected, release the internal pressure from the pump.
- Repeat the operation; or disassemble the connected tool or hose, and then replace the dust cover.
- Attach the wired pendant switch to the pump. Plug the electric plug into the electrical outlet.

- Check the oil scale. Ensure the oil level is higher than the red indicator.
- Attach the pump hose coupler to the tool head coupler. Make sure the couplers are attached securely to avoid any oil leakage, low pressure, or insufficient oil flow.
- Toggle the ► button on the pendant switch to release pressure.
- Toggle the ◀ button on the pendant switch to run the motor and advance the tool's cylinder piston. When the toggle is released, the motor stops and the plunger remains in position for pressure holding. The wired pendant switch allows the operator to advance, hold, or retract at any time.

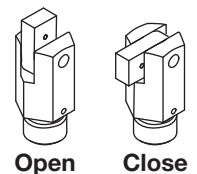
*Note: If the system has not yet been used, it will take some time for the motor to pump oil from the reservoir into the circuit and the tool head to operate. Follow step 1 of "Operating Instructions" to remove air from the system.*

## Refilling Hydraulic Fluid

- Unscrew and remove the air valve.
- Pour in the new hydraulic fluid.
- Replace the air valve and screw it tightly.

## Hydraulic Fluid Notes

- Use only new SHELL T37-T46 hydraulic fluid or equivalent. Do not top off the reservoir with used oil, or mix different oils together.
- Oil should be replaced once the color has turned to yellow or darkened. Replace the pump oil after the first three months of use; thereafter, replace once a year.
- Change the pump oil every six months if the pump is used continuously.
- Using the incorrect type of oil will damage the seals in the pump and cause the pump to malfunction.
- Open the air valve before operating the pump, and close it when not in use.



## Manual Release Shaft

If the pendant switch does not work properly or suffers a power failure, press the manual release shaft to release pressure. (Refer to the "Identification" section of this manual.)

**Maintenance****⚠ WARNING**

- Turn off power and release pressure before cleaning the tool head or pump.
- If you notice a leak on the pump, hose, or tool head, do not use hands to check for the leak.

Failure to observe these warnings could result in severe injury or death.

**IMPORTANT**

Procedure for depressurizing the hydraulic system:

1. Disconnect the pump from the power source.
2. Press down on the manual release shaft and allow the ram to retract fully.
3. Disconnect the hose slowly to release any trapped pressure.

- Keep all moving parts on the pump lubricated. Keep the pump free of dirt and metal chips. Use a lubricant to clean the tool when necessary.
- Check the oil level before and after every use.
- Routine renewal of pump oil is required. Particles mixed in the pump oil is the most common cause of product failure. Refer to “Refilling Hydraulic Fluid” in the “Operation” section.
- Allow the pump engine a 10 minute cool down period for every 50 minutes of continual use.
- Suggested working temperature:  $-10\text{ }^{\circ}\text{C}$  to  $40\text{ }^{\circ}\text{C}$  ( $14\text{ }^{\circ}\text{F}$  to  $104\text{ }^{\circ}\text{F}$ ). Check hydraulic fluid specifications.
- Store the pump in a cool, dry place. Do **not** keep this product in places with high temperatures, high humidity, or direct sunlight. Hydraulic fluid temperatures over  $65\text{ }^{\circ}\text{C}$  ( $149\text{ }^{\circ}\text{F}$ ) could soften packings and seals and cause fluid leaks.
- The hydraulic fluid pressure should only be adjusted by a Greenlee authorized service center.
- Consult a Greenlee authorized service center in case of any abnormalities or malfunctions of this tool.
- **Do not disassemble or attempt to repair this tool.**



## Troubleshooting

<b>Problem</b>	<b>Probable Cause</b>	<b>Probable Remedy</b>
Operating pressure is insufficient.	Oil flow is restricted.	Check that the couplers are secured properly to prevent restricted oil flow.
	Pressure loss.	Inspect the pump output for possible pressure losses. Do not use hands when looking for fluid leaks.
	Pump is not working properly.	Test the pump to ensure it reaches 700 bar (10,000 psi) pressure. Never adjust the relief valve over 700 bar (10,000 psi).
Hydraulic pressure will not build.	Dirt is blocking the oil strainer of the pump assembly and restricting oil flow.	Clean the strainer and change the hydraulic fluid regularly.
	Solenoid valve assembly is obstructed by dirt or damaged, causing it to malfunction.	Contact a Greenlee authorized service center to have the solenoid assembly cleaned or replaced.
	There is not enough hydraulic fluid in the system.	Refer to “Refilling Hydraulic Fluid” in the “Operation” section.
	The pump assembly is damaged.	Contact a Greenlee authorized service center.
Hydraulic pressure builds too slowly and takes longer to retract.	Hydraulic fluid is contaminated.	Refer to “Refilling Hydraulic Fluid” in the “Operation” section.
	Hydraulic fluid is too hot from continuous pump operation.	Allow the pump and hydraulic fluid to cool down.
	Air in the hydraulic system.	Position the tool head lower than the pump. Use the pump to advance and retract the cylinder piston several times to remove any air trapped in the hydraulic hose or tool head.
	Pump solenoid valve assembly or pump assembly is damaged.	Contact a Greenlee authorized service center.
Pump does not function at all. There is no movement when the ◀ or ▶ buttons are pressed.	Unattached cords.	Check that all cords are attached correctly. If the problem persists, contact a Greenlee authorized service center.

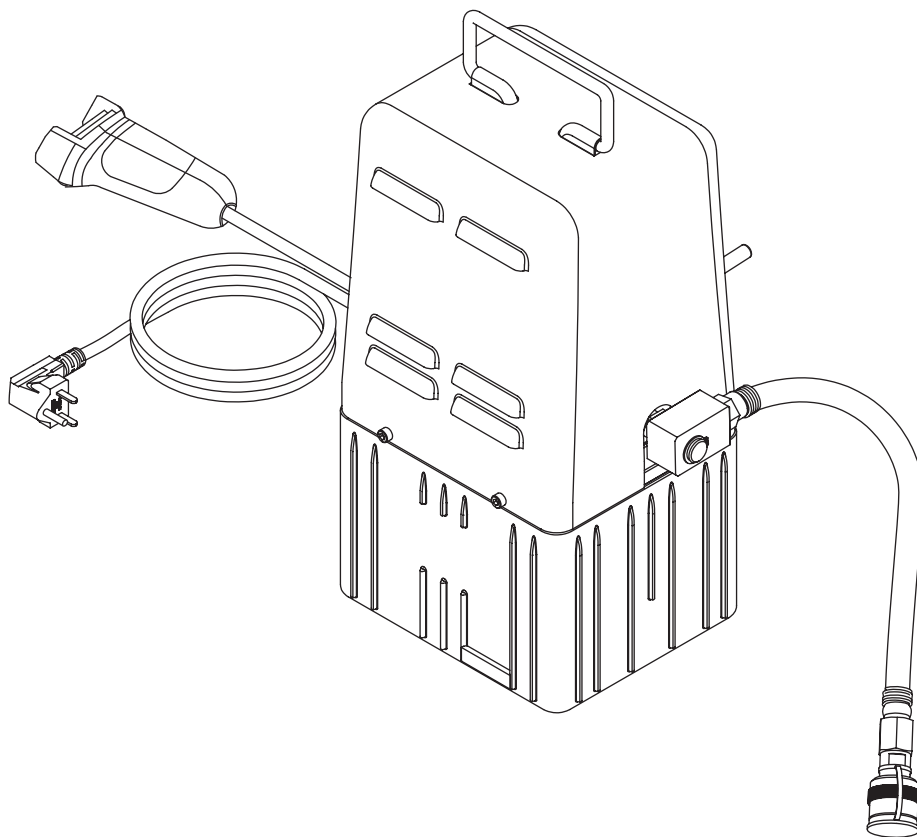


# MANUAL DE INSTRUCCIONES



**GREENLEE**®

A Textron Company



## **Bomba Hidráulica Modelo 990**



**Lea y entienda** todas las instrucciones y la información sobre seguridad que aparecen en este manual, antes de manejar esta bomba o darle mantenimiento.

Registre este producto en [www.greenlee.com](http://www.greenlee.com)


## Índice

Descripción .....	12
Acerca de la seguridad.....	12
Propósito de este manual .....	12
Información importante sobre seguridad .....	13-14
Identificación .....	15
Especificaciones .....	15
Instalación .....	16
Conexión hidráulica .....	16
Instrucciones para la conexión eléctrica/conexión a tierra .....	16
Operación .....	17
Instrucciones de operación .....	17
Llenado de fluido hidráulico.....	17
Eje de liberación manual.....	17
Mantenimiento.....	18
Solución de problemas .....	19
Ilustraciones y listas de piezas.....	31-36
Principal .....	31-32
Conjunto de válvula de solenoide.....	33
Interruptor de presión .....	34
Conjunto de la bomba .....	35
Unión de alta presión.....	36

## Descripción

La bomba hidráulica modelo 990 de Greenlee es una bomba eléctrica de una etapa que desarrolla un máximo de 700 bar (10.000 lb./pulg.<sup>2</sup>). Esta bomba está destinada para suministrar potencia hidráulica a herramientas remotas de corte y engarzado.

Esta bomba cuenta con una válvula de alivio de presión interna ajustada en fábrica.

	<b>⚠ ATENCIÓN</b>
	<p>Llene la unidad con aceite para aparatos hidráulicos antes de hacer funcionar la bomba.</p> <p>De no llenar la unidad con aceite, la bomba podría dañarse.</p>

## Acerca de la seguridad

Es fundamental observar métodos seguros al utilizar y dar mantenimiento a las herramientas y equipo de Greenlee. Este manual de instrucciones y todas las marcas que ostenta la bomba le ofrecen la información necesaria para evitar riesgos y prácticas poco seguras relacionados con su uso. Siga toda la información sobre seguridad que se proporciona.

## Propósito de este manual

Este manual tiene como propósito familiarizar a todo el personal con los procedimientos de operación y mantenimiento seguros para la bomba hidráulica modelo 990 de Greenlee.

Siempre mantenga este manual al alcance de todo el personal.

Puede obtener copias adicionales de manera gratuita, previa solicitud en [www.greenlee.com](http://www.greenlee.com).

 **¡No deseche ni descarte este producto!**  
 Para información sobre reciclaje, visite [www.greenlee.com](http://www.greenlee.com).

Todas las especificaciones son nominales y podrían cambiar según se hagan mejoras en el diseño. Greenlee Textron Inc. no será responsable por daños que resulten de la aplicación o uso indebidos de sus productos.

Mobil DTE es una marca registrada de Mobil Oil Corp.

# CONSERVE ESTE MANUAL

## INFORMACIÓN IMPORTANTE SOBRE SEGURIDAD



### SÍMBOLO DE ALERTA SOBRE SEGURIDAD

Este símbolo se utiliza para indicar un riesgo o práctica poco segura que podría ocasionar lesiones o daños materiales. Cada uno de los siguientes términos denota la gravedad del riesgo. El mensaje que sigue a dichos términos le indica cómo puede evitar o prevenir dicho riesgo.

#### ⚠ PELIGRO

Peligros inmediatos que, de no evitarse, OCASIONARÁN graves lesiones o incluso la muerte.

#### ⚠ ADVERTENCIA

Peligros que, de no evitarse, PODRÍAN OCASIONAR graves lesiones o incluso la muerte.

#### ⚠ ATENCIÓN

Peligros o prácticas peligrosas que, de no evitarse, PUEDEN OCASIONAR lesiones o daños materiales.



#### ⚠ PELIGRO

Lea y entienda todas las instrucciones y la información sobre seguridad que aparecen en este manual, antes de manejar esta bomba o darle mantenimiento.

De no observarse esta advertencia pueden sufrirse graves lesiones o incluso la muerte.

#### ⚠ PELIGRO

No conecte la bomba a ningún sistema o componente de sistema diferente a los suministrados por Greenlee. Los componentes de otros fabricantes quizá no resistan la presión máxima y podrían fallar. El personal del área podría sufrir lesiones si el aceite para aparatos hidráulicos o restos de material llegaran a saltar.

De no observarse esta advertencia pueden sufrirse graves lesiones o incluso la muerte.

#### ⚠ PELIGRO

No modifique el ajuste de la válvula de alivio de alta presión interna. La modificación de este ajuste cambiará la presión máxima que puede desarrollar la bomba, lo cual puede ocasionar el fallo de los componentes. El personal del área podría sufrir lesiones si el aceite para aparatos hidráulicos o restos de material llegaran a saltar.

De no observarse esta advertencia pueden sufrirse graves lesiones o incluso la muerte.



#### ⚠ PELIGRO


No utilice esta bomba en un entorno peligroso. Los peligros incluyen gases y líquidos inflamables u otro tipo de materiales. El uso de esta bomba en entornos peligrosos puede resultar en incendio o explosión.


De no observarse esta advertencia pueden sufrirse graves lesiones o incluso la muerte.

## INFORMACIÓN IMPORTANTE SOBRE SEGURIDAD

	<b>⚠ADVERTENCIA</b>
	<p>Peligro de electrocución:</p> <ul style="list-style-type: none"> <li>• No exponga las herramientas eléctricas a la lluvia.</li> <li>• No sumerja el interruptor colgante en agua ni en ningún otro líquido.</li> </ul> <p>De no observarse estas advertencias podrían sufrirse lesiones graves o incluso la muerte.</p>

<b>⚠ADVERTENCIA</b>	
<p>Inspeccione la bomba, las mangueras, los acopladores y los accesorios para comprobar que no estén desgastados o dañados. Reemplace los componentes desgastados, dañados o faltantes con piezas de repuesto de Greenlee. Los componentes desgastados o dañados pueden fallar y ocasionar lesiones.</p> <p>De no observarse esta advertencia podrían sufrirse graves lesiones o incluso la muerte.</p>	

	<b>⚠ADVERTENCIA</b>
	<p>Peligro de inyección cutánea:</p> <ul style="list-style-type: none"> <li>• No use las manos para localizar fugas.</li> <li>• Purgue la presión del sistema hidráulico antes de darle mantenimiento o desconectar la manguera.</li> </ul> <p>El aceite a alta presión punza la piel fácilmente provocando graves lesiones, gangrena o la muerte. Si resulta lesionado, solicite atención médica de inmediato para eliminar el aceite.</p>

	<b>⚠ATENCIÓN</b>
	<p>Llene la unidad con aceite para aparatos hidráulicos antes de hacer funcionar la bomba.</p> <p>De no llenar la unidad con aceite, la bomba podría dañarse.</p>

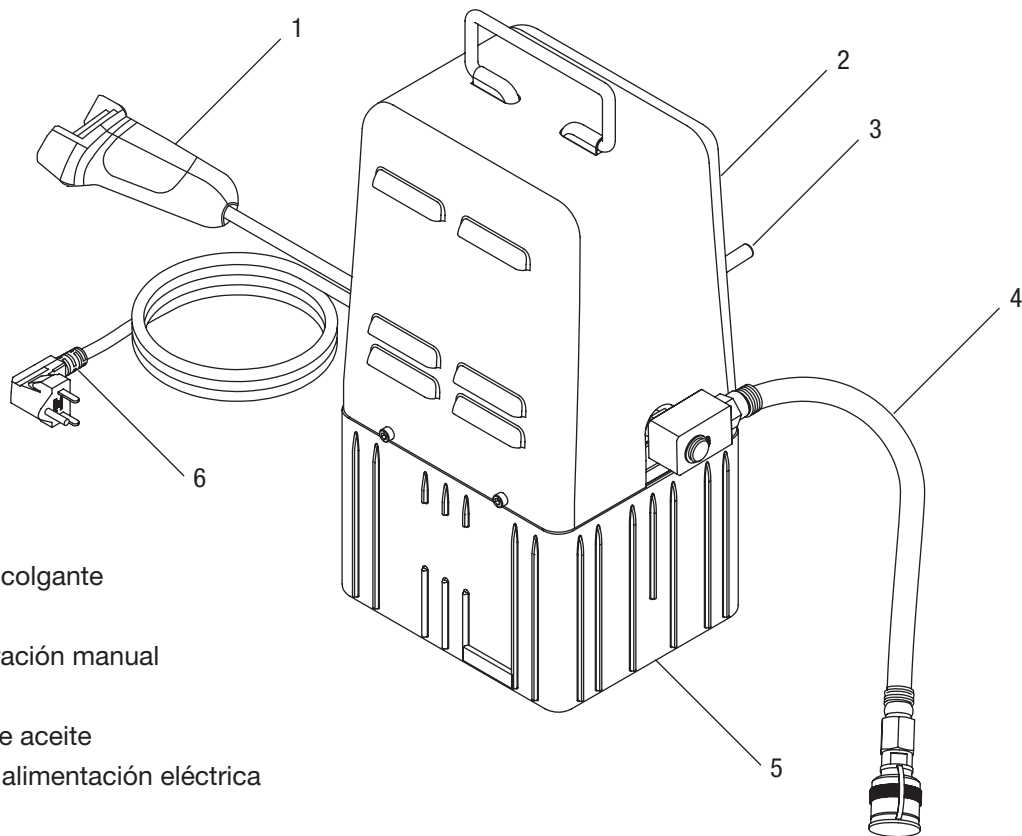
<b>⚠ATENCIÓN</b>	
<ul style="list-style-type: none"> <li>• La bomba es pesada y se necesitan dos personas para levantarla. El levantamiento incorrecto puede ocasionar lesiones.</li> <li>• No use mangueras ni cables para levantar, mover o tirar del equipo. El uso indebido dañará la manguera o el cable.</li> </ul> <p>De no observarse estas precauciones podrían sufrirse graves lesiones o daños materiales.</p>	

	<b>⚠ADVERTENCIA</b>
	<p>Al manejar esta herramienta utilice protectores para ojos.</p> <p>De no utilizar protectores para ojos podría sufrir graves lesiones oculares ocasionadas si el aceite para aparatos hidráulicos, o restos de materiales llegan a saltar.</p>

<b>IMPORTANTE</b>	
<p>Asegúrese que todos los accesorios de las mangueras estén debidamente asentados antes de poner en marcha la bomba. Las conexiones incompletas podrían impedir que el pistón del accesorio se retraiga completamente después de terminar la operación hidráulica.</p>	

*Aviso: Mantenga limpias y legibles todas las calcomanías y reemplácelas cuando sea necesario.*

## Identificación



1. Interruptor colgante
2. Cubierta
3. Eje de liberación manual
4. Manguera
5. Depósito de aceite
6. Cordón de alimentación eléctrica

## Especificaciones

### Dimensiones

Longitud .....	244 mm (9,6 pulg.)
Ancho .....	160 mm (6,3 pulg.)
Altura .....	350 mm (13,8 pulg.)
Peso.....	14,7 kg (32,4 lb)
Capacidad del depósito .....	3 l (3,2 cuartos de galón)
Máxima presión de operación .....	700 bar (10.000 lb/pulg. <sup>2</sup> )

### Suministro de aceite

A baja presión .....	2,6 l/min. (159 pulg. <sup>3</sup> /min.)
A alta presión .....	0,32 l/min. (19 pulg. <sup>3</sup> /min.)
Motor de 3/4 hp para servicio pesado .....	Motor monofásico 50/60 Hz 120 V
Accionamiento de bombeo de una etapa	

## Instalación

### Conexión hidráulica

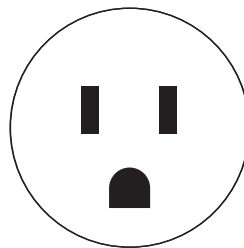
1. Limpie todos los acopladores, los accesorios roscados, los puertos y el área alrededor de todos los puertos.
2. Retire todas las tapas antipolvo de los acopladores.
3. Apriete a mano firmemente todos los acopladores (hasta que todas las roscas penetren completamente). No utilice herramientas.

### Instrucciones para la conexión eléctrica/conexión a tierra

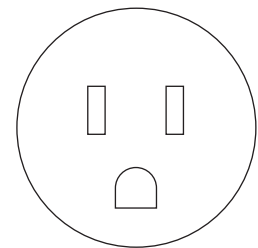
	<h2>⚠ ADVERTENCIA</h2>
	<p>Peligro de electrocución:</p> <ul style="list-style-type: none"> <li>• No modifique el enchufe incluido con la herramienta.</li> <li>• Conecte esta herramienta a un receptáculo puesto a tierra en un circuito de falla a tierra protegido de 15 amperios.</li> </ul> <p>De no observarse estas advertencias podrían sufrirse lesiones graves o incluso la muerte.</p>

Esta herramienta debe estar puesta a tierra. Una puesta a tierra eléctrica proporcionará una trayectoria de menor resistencia para una corriente eléctrica si ocurriese un funcionamiento incorrecto o una avería. Esta trayectoria de menor resistencia tiene como propósito reducir el riesgo de electrocución.

El cordón eléctrico de esta herramienta incluye un conductor de puesta a tierra y un enchufe de puesta a tierra, tal como se muestra. No modifique el enchufe. Conecte el enchufe a un receptáculo correspondiente protegido contra circuitos de fallos de conexión a tierra de 15 amp, que esté correctamente instalado y puesto a tierra de acuerdo con lo establecido por todos los códigos y reglamentos locales y nacionales. No utilice un adaptador.



**Enchufe**



**Receptáculo**

### Especificaciones del cordón prolongador


Diámetro ..... 1,5 mm<sup>2</sup> (14 AWG)  
 Longitud ..... 30 m (100 pies)

Utilice sólo cordones prolongadores trifilares. El uso de un cordón prolongador indebido ocasionará el paro del motor.

El cordón de alimentación eléctrica no debe ser innecesariamente largo para evitar la caída de voltaje, la cual podría afectar la eficiencia de la bomba.



## Operación

	<h3>⚠ ADVERTENCIA</h3>
	<p>Peligro de inyección cutánea:</p> <ul style="list-style-type: none"> <li>• No use las manos para localizar fugas.</li> <li>• Purgue la presión del sistema hidráulico antes de darle mantenimiento o desconectar la manguera.</li> </ul> <p>El aceite a alta presión punza la piel fácilmente provocando graves lesiones, gangrena o la muerte. Si resulta lesionado, solicite atención médica de inmediato para eliminar el aceite.</p>

<h3>IMPORTANTE</h3>
<p>Procedimiento para purgar el sistema hidráulico:</p> <ol style="list-style-type: none"> <li>1. Desconecte la bomba de la fuente de potencia.</li> <li>2. Presione hacia abajo el eje de liberación manual y deje que el pistón se retraiga completamente.</li> <li>3. Desconecte lentamente la manguera para liberar cualquier presión atrapada.</li> </ol>

### Instrucciones de operación

1. Para eliminar cualquier aire atrapado en el sistema hidráulico, coloque el cabezal de la herramienta más abajo que la bomba. Use la bomba para avanzar y retraer el pistón del cilindro varias veces a fin de eliminar cualquier aire atrapado en la manguera hidráulica o en el cabezal de la herramienta.
2. La bomba se detiene automáticamente después de terminar su tarea y se activa el sistema de válvula de alivio de presión a prueba de fallas. La válvula eléctrica corta el paso de corriente cuando la presión llega a 700 bar (10.000 lb/pulg.<sup>2</sup>). La válvula de alivio de presión hidráulica de respaldo se activa a 758 bar (11.000 lb/pulg.<sup>2</sup>)
3. Para restablecer la herramienta acoplada, presione el botón ► en el interruptor colgante para liberar la presión.
4. Desconecte los acopladores y la manguera, y vuelva a colocar las tapas antipolvo en todos los acopladores. Si no se puede desconectar los acopladores, libere la presión interna desde la bomba.
5. Repita la operación, o desacople la herramienta o manguera conectada, y después vuelva a colocar las tapas antipolvo.

6. Conecte el interruptor colgante cableado a la bomba. Conecte el enchufe eléctrico en el tomacorriente.
7. Revise la escala del nivel de aceite. Asegúrese que el nivel de aceite sea más alto que el indicador rojo.
8. Conecte el acoplador de la manguera de la bomba al acoplador del cabezal de la herramienta. Cerciórese de que los acopladores estén firmemente enganchados para evitar fugas de aceite, baja presión o flujo insuficiente de aceite.
9. Cambie el botón ► en el conmutador variable para liberar la presión.
10. Cambie el botón ► en el conmutador variable para arrancar el motor y hacer avanzar el pistón del cilindro de la herramienta. Cuando se suelta el conmutador, el motor se detiene y el vástago permanece en posición para mantener la presión. El interruptor colgante cableado permite al operador avanzar, mantener o retraer el émbolo en cualquier momento.

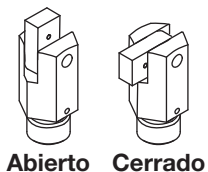
*Aviso: Si el sistema aún no se ha utilizado, transcurrirá algún tiempo mientras el motor bombea aceite desde el depósito hasta el circuito para que funcione el cabezal de la herramienta. Lleve a cabo el paso 1 de "Instrucciones de operación" para eliminar el aire del sistema.*

### Llenado de fluido hidráulico

1. Desenrosque y retire la válvula de aire.
2. Vierta el nuevo aceite hidráulico.
3. Vuelva a colocar la válvula de aire y apriétela firmemente.

### Notas acerca del fluido hidráulico

- Use solamente el nuevo aceite hidráulico SHELL T37-T46 o equivalente. No llene el depósito con aceite usado, ni mezcle aceites diferentes.
- El aceite deberá cambiarse cuando el color se haya tornado amarillento u oscuro. Cambie el aceite de la bomba después de los primeros meses de uso; después, cámbielo una vez al año.
- Cambie el aceite de la bomba cada seis meses si la bomba se utiliza continuamente.
- Usar el tipo erróneo de aceite dañará los sellos en la bomba y causará el malfuncionamiento de ésta.
- Abra la válvula de aire antes de accionar la bomba, y ciérrela cuando no esté en uso.



### Eje de liberación manual

Si el interruptor colgante no funciona correctamente u ocurre una interrupción del servicio de energía eléctrica, presione el eje de liberación manual para aliviar la presión. (Consulte la sección "Identificación" de este manual).

## Mantenimiento

### **⚠️ ADVERTENCIA**

- Apague la alimentación eléctrica y libere la presión antes de limpiar el cabezal de la herramienta o la bomba.
- Si observa una fuga en la bomba, manguera o cabezal de la herramienta, no use las manos para verificar la fuga.

De no observarse estas advertencias podrían sufrirse lesiones graves o incluso la muerte.

### **IMPORTANT**

Procedimiento para purgar el sistema hidráulico:

1. Desconecte la bomba de la fuente de potencia.
2. Presione hacia abajo el eje de liberación manual y deje que el pistón se retraiga completamente.
3. Desconecte lentamente la manguera para liberar cualquier presión atrapada.

- Mantenga lubricadas todas las partes móviles de la bomba. Mantenga la bomba limpia, sin suciedad ni partículas metálicas. Use un lubricante para limpiar la herramienta cuando sea necesario.
- Verifique el nivel de aceite antes y después de cada uso.
- Es necesario realizar el cambio frecuente del aceite de la bomba. La presencia de partículas en suspensión en el aceite de la bomba es la causa más frecuente de desperfectos en el producto. Consulte “Llenado de fluido hidráulico” en la sección “Operación”.
- Deje que el motor de la bomba se enfríe durante 10 minutos después de cada 50 minutos de uso continuo.
- La temperatura de trabajo sugerida es: -10 °C a 40 °C (14 °F a 104 °F). Revise las especificaciones del fluido hidráulico.
- Almacene la bomba en un lugar fresco y seco. **No** mantenga este producto en lugares con temperaturas altas, humedad alta o luz solar directa. Las temperaturas de fluido hidráulico mayores que 65 °C (149 °F) podrían ablandar los empaques y sellos, y causar fugas de fluido.
- Solamente un centro de servicio autorizado de Greenlee deberá ajustar la presión del fluido hidráulico.
- Si ocurren anomalías o desperfectos en esta herramienta, consulte con un centro de servicio autorizado de Greenlee.
- **No desensamble ni intente reparar esta herramienta.**

## Solución de problemas

Problema	Causa probable	Posible solución
La presión de operación es insuficiente.	El flujo de aceite está restringido.	Verifique que los acopladores estén instalados debidamente para impedir el flujo restringido de aceite.
	Pérdida de presión.	Inspeccione la descarga de la bomba para determinar posibles pérdidas de presión. No use las manos para localizar fugas de fluidos.
	La bomba no está funcionando correctamente.	Pruebe la bomba para verificar que alcanza una presión de 700 bar (10.000 lb/pulg. <sup>2</sup> ). Nunca ajuste la válvula de alivio a más de 700 bar (10.000 lb/pulg. <sup>2</sup> ).
No se acumula presión hidráulica.	Hay suciedad bloqueando el colador de aceite del conjunto de la bomba y restringe el flujo de aceite.	Limpie el colador y cambie el fluido hidráulico con regularidad.
	La válvula de solenoide está obstruida por suciedad o dañada, causando desperfectos.	Comuníquese con un centro de servicio autorizado de Greenlee para que limpien o cambien el conjunto de solenoide.
	No hay suficiente fluido hidráulico en el sistema.	Consulte “Llenado de fluido hidráulico” en la sección “Operación”.
	El conjunto de la bomba está dañado.	Comuníquese con un centro de servicio autorizado de Greenlee.
La presión hidráulica se acumula muy lentamente y la retracción demora más tiempo.	El fluido hidráulico está contaminado.	Consulte “Llenado de fluido hidráulico” en la sección “Operación”.
	El fluido hidráulico está demasiado caliente debido al funcionamiento continuo de la bomba.	Deje que la bomba y el fluido hidráulico se enfríen.
	Hay aire en el sistema hidráulico.	Coloque el cabezal de la herramienta más abajo que la bomba. Use la bomba para avanzar y retraer el pistón del cilindro varias veces a fin de eliminar cualquier aire atrapado en la manguera hidráulica o en el cabezal de la herramienta.
	El conjunto de la válvula de solenoide de la bomba o el conjunto de la bomba está dañado.	Comuníquese con un centro de servicio autorizado de Greenlee.
La bomba no funciona en absoluto. No ocurre movimiento cuando se presionan los botones ◀ o ▶.	Cordones eléctricos desconectados.	Verifique que todos los cordones eléctricos estén conectados correctamente. Si el problema persiste, comuníquese con un centro de servicio autorizado de Greenlee.

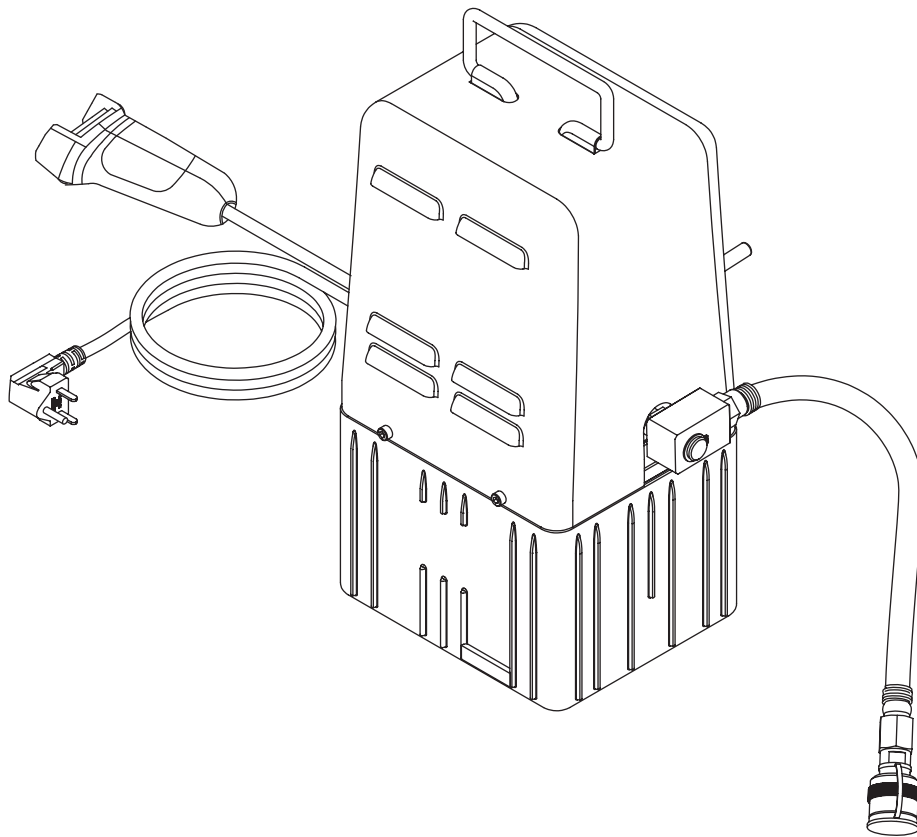


# MANUEL D'INSTRUCTIONS



**GREENLEE®**

A Textron Company



## Groupe hydraulique 990



**Lire et comprendre** toutes les instructions et les informations sur la sécurité figurant dans ce manuel avant d'utiliser ou de procéder à l'entretien de cet outil.

Enregistrez votre produit en ligne, [www.greenlee.com](http://www.greenlee.com)

## Table des matières

Description .....	22
Sécurité .....	22
Objet de ce manuel .....	22
Informations de sécurité importantes.....	23-24
Identification .....	25
Caractéristiques techniques.....	25
Mise en service.....	26
Raccordement hydraulique.....	26
Branchement électrique/mise à la terre.....	26
Fonctionnement .....	27
Mode d'emploi.....	27
Remplir de liquide hydraulique .....	27
Tige de décompression manuelle.....	27
Entretien .....	28
Dépannage .....	29
Illustrations et listes des pièces .....	31-36
Unité principale.....	31-32
Électrovanne .....	33
Manocontacteur.....	34
Pompe .....	35
Raccord haute pression.....	36

## Description

Le groupe hydraulique Greenlee 990 est une pompe électrique monoétagée développant un maximum de 700 bar (10 000 psi). Cette pompe est conçue pour assurer l'alimentation hydraulique d'outils de coupe et de sertissage à distance.

Cette pompe comporte une soupape de décharge interne réglée à l'usine.

	<b>ATTENTION</b>
	<p>Remplir de liquide hydraulique avant de faire fonctionner la pompe.</p> <p>Une utilisation sans liquide hydraulique endommagerait la pompe.</p>

## Sécurité


Lors de l'utilisation et de l'entretien des outils et de l'équipement de Greenlee, la sécurité est essentielle. Les instructions de ce manuel et celles qui sont inscrites sur l'outil fournissent des informations qui inculquent d'éviter les dangers et les manipulations dangereuses liés à l'utilisation de cet outil. Veiller à respecter toutes les consignes de sécurité.

## Objectif de ce manuel

Ce manuel a pour objet de familiariser tout le personnel avec les procédures préconisées pour une utilisation et un entretien sans danger du groupe hydraulique Greenlee 990.

Mettre ce manuel à la disposition de tous les employés.

Des exemplaires gratuits peuvent être obtenus sur simple demande au site [www.greenlee.com](http://www.greenlee.com).

 **Ne pas se débarrasser de ce produit ou le jeter !**  
 Pour des informations sur le recyclage, visiter [www.greenlee.com](http://www.greenlee.com).

Toutes les caractéristiques sont nominales et peuvent changer conjointement aux améliorations apportées. Greenlee Textron Inc. décline toute responsabilité pour les dommages résultant d'un emploi détourné ou abusif de ses produits.

Mobil DTE est une marque de commerce déposée de Mobil Oil Corp.

# CONSERVER CE MANUEL

## INFORMATIONS DE SÉCURITÉ IMPORTANTES



### SYMBOLE D'AVERTISSEMENT

Ce symbole met en garde contre les risques et les manipulations dangereuses pouvant entraîner des blessures ou des dégâts matériels. Les mots indicateurs ci-dessous définissent la gravité du danger, et sont suivis d'informations permettant de prévenir ou d'éviter le danger.

#### **⚠ DANGER**

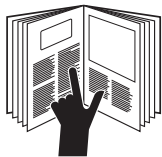
Danger immédiat qui, s'il n'est pas évité, ENTRAÎNERA des blessures graves, voire mortelles.

#### **⚠ AVERTISSEMENT**

Danger qui, s'il n'est pas évité, POURRAIT entraîner des blessures graves, voire mortelles.

#### **⚠ ATTENTION**

Dangers ou manipulations dangereuses qui, s'ils ne sont pas évités, POURRAIENT ÉVENTUELLEMENT entraîner des blessures graves, voire mortelles.



#### **⚠ DANGER**

Lire et comprendre toutes les instructions et les informations sur la sécurité figurant dans ce manuel avant d'utiliser ou de procéder à l'entretien de cet outil.

Le non-respect de cette mise en garde entraînerait des blessures graves ou la mort.

#### **⚠ DANGER**

Ne pas raccorder la pompe à un système ou élément de système autre que ceux fournis par Greenlee. Les équipements d'autres fabricants peuvent ne pas résister à la pression maximale et subir une défaillance. Le personnel présent peut alors être blessé par la projection de pièces et de liquide hydraulique.

Le non-respect de cette mise en garde entraînerait des blessures graves ou la mort.

#### **⚠ DANGER**

Ne pas modifier le réglage de la soupape de décharge de haute pression interne. La modification de ce réglage change la pression maximale de la pompe, ce qui peut provoquer une défaillance de matériel. Le personnel présent peut alors être blessé par la projection de pièces et de liquide hydraulique.

Le non-respect de cette mise en garde entraînerait des blessures graves ou la mort.

#### **⚠ DANGER**




Ne pas utiliser cette pompe dans un environnement dangereux. Ces dangers comprennent notamment les liquides, gaz et autres matières inflammables. L'utilisation de cette pompe dans un environnement dangereux peut provoquer un incendie ou une explosion.

Le non-respect de cette mise en garde entraînerait des blessures graves ou la mort.

## INFORMATIONS DE SÉCURITÉ IMPORTANTES


	<b>⚠️ AVERTISSEMENT</b>
	<p>Danger de choc électrique :</p> <ul style="list-style-type: none"> <li>• Ne pas exposer les outils électriques à la pluie.</li> <li>• Ne pas immerger la commande pendante dans l'eau ou autre liquide.</li> </ul> <p>Le non-respect de ces mises en garde peut entraîner des blessures graves ou la mort.</p>

<b>⚠️ AVERTISSEMENT</b>
<p>Vérifier que la pompe, les tuyaux, les coupleurs et les raccords ne sont pas usés ni endommagés. Remplacer les éléments usés, endommagés ou manquants par des pièces de rechange Greenlee. Les pièces usées ou endommagées peuvent subir une défaillance et provoquer des blessures.</p> <p>Le non-respect de cette mise en garde peut entraîner des blessures graves ou la mort.</p>

	<b>⚠️ AVERTISSEMENT</b>
	<p>Danger d'injection sous la peau :</p> <ul style="list-style-type: none"> <li>• Ne pas utiliser les mains pour contrôler l'étanchéité.</li> <li>• Mettre le circuit hydraulique hors pression avant d'effectuer l'entretien ou de débrancher le tuyau.</li> </ul> <p>Le liquide sous pression peut aisément percer la peau et provoquer des blessures graves, une gangrène ou la mort. En cas de lésion, consulter immédiatement un médecin pour extraire le liquide hydraulique.</p>

	<b>⚠️ ATTENTION</b>
	<p>Remplir de liquide hydraulique avant de faire fonctionner la pompe.</p> <p>Une utilisation sans liquide hydraulique endommagerait la pompe.</p>

<b>⚠️ ATTENTION</b>
<ul style="list-style-type: none"> <li>• La pompe est lourde et doit être soulevée par deux personnes. Un levage incorrect peut provoquer une blessure.</li> <li>• Ne pas utiliser le tuyau ou le cordon pour tirer, soulever ou porter le matériel. L'utilisation abusive endommagerait le tuyau ou le cordon.</li> </ul> <p>Le non-respect de ces précautions peut entraîner des blessures ou des dégâts matériels.</p>

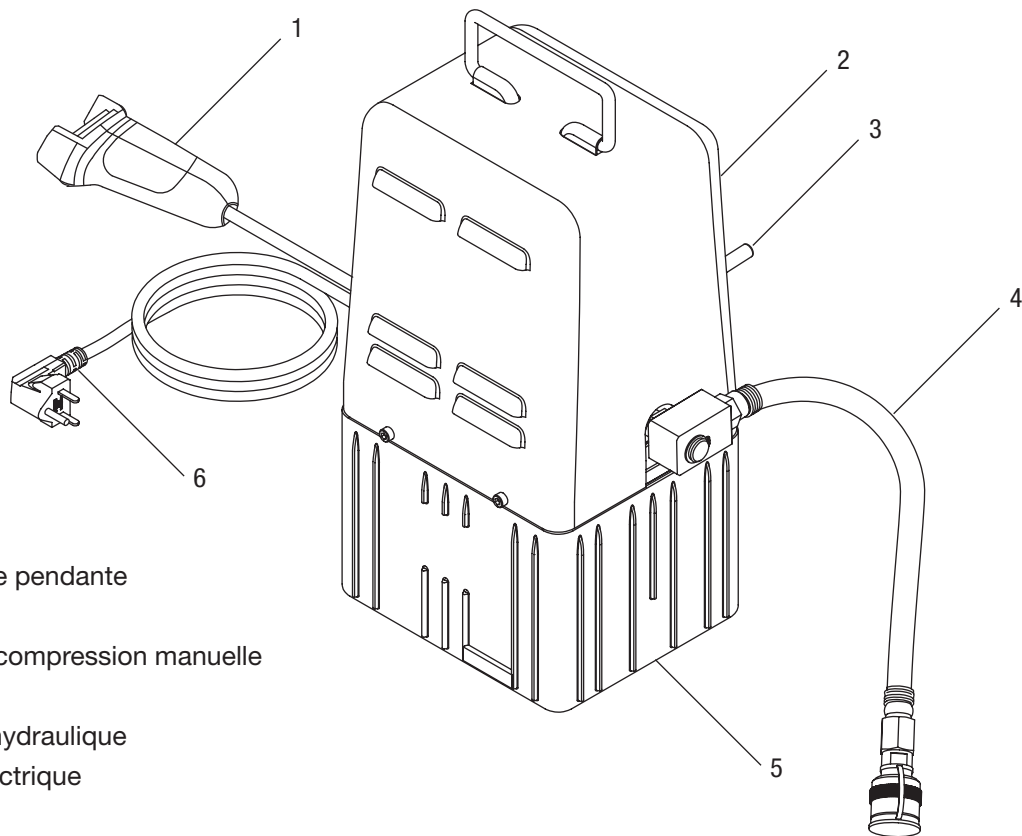
	<b>⚠️ AVERTISSEMENT</b>
	<p>Porter une protection oculaire durant l'utilisation de cet outil.</p> <p>L'absence de protection oculaire peut entraîner des lésions oculaires graves causées par des projections de débris ou de liquide hydraulique.</p>

<b>IMPORTANT</b>
<p>Vérifier que tous les raccords de tuyau sont correctement engagés avant de démarrer la pompe. Un mauvais raccordement peut empêcher le retrait du vérin de l'outil une fois que l'actionnement hydraulique est effectué.</p>

*Remarque : Conserver toutes les décalcomanies dans un état propre et lisible et les remplacer au besoin.*



## Identification



1. Commande pendante
2. Capot
3. Tige de décompression manuelle
4. Tuyau
5. Réservoir hydraulique
6. Cordon électrique

## Caractéristiques techniques

### Dimensions

Longueur .....	244 mm (9,6")
Largeur .....	160 mm (6,3")
Hauteur.....	350 mm (13,8")
Poids.....	14,7 kg (32,4 lb)
Capacité du réservoir .....	3 l (3,2 qt)
Pression d'exploitation maximale.....	700 bar (10 000 psi)

### Débit hydraulique

Sous basse pression .....	2,6 l/min (159 in <sup>3</sup> /min)
Sous haute pression .....	0,32 l/min (19 in <sup>3</sup> /min)
Moteur service intense 3/4 cv .....	Moteur monophasé 120 V 50/60 Hz
Pompage monoétagé	

## Mise en service

### Raccordement hydraulique

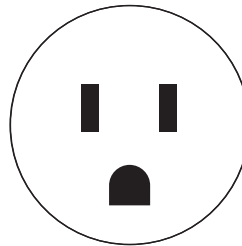
1. Nettoyer tous les coupleurs, raccords filetés, ouvertures et le voisinage de toutes les ouvertures.
2. Enlever tout capuchon antipoussière des coupleurs.
3. Serrer fermement tous les accouplements à la main (engager complètement le filetage). Ne pas utiliser d'outil.

### Branchement électrique/mise à la terre

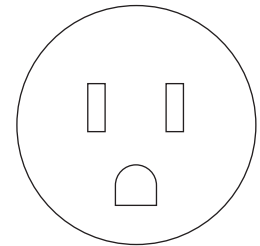
	<b>⚠️ AVERTISSEMENT</b>
	<p>Danger de choc électrique :</p> <ul style="list-style-type: none"> <li>• Ne pas modifier la fiche fournie avec l'outil.</li> <li>• Brancher cet outil sur une prise raccordée à la terre alimentée par un circuit de 15 A protégé par GFCI.</li> </ul> <p>Le non-respect de ces mises en garde peut entraîner des blessures graves ou la mort.</p>

Cet outil doit être relié à la terre. En cas de mauvais fonctionnement ou de panne, la mise à la terre offre un circuit de moindre résistance au courant électrique. Ce circuit de moindre résistance a pour objet de réduire le risque de choc électrique.

Le cordon électrique de cet outil comporte un conducteur de terre et une fiche avec terre, comme sur l'illustration. Ne pas modifier la fiche. Brancher la fiche sur une prise correspondante de 15 A protégée par GFCI qui a été correctement installée et mise à la terre en conformité avec toute la réglementation en vigueur. Ne pas utiliser d'adaptateur.



Fiche



Prise

### Caractéristiques du cordon électrique


Section ..... 1,5 mm<sup>2</sup> (14 AWG)

Longueur ..... 30 m (100 ft)

Utiliser exclusivement des cordons à trois conducteurs. Le moteur peut caler si le cordon électrique utilisé n'est pas adapté.

Le cordon électrique ne doit pas être inutilement long afin d'éviter une chute de tension préjudiciable au rendement de la pompe.

## Fonctionnement

	<h3>⚠ AVERTISSEMENT</h3>
	<p>Danger d'injection sous la peau :</p> <ul style="list-style-type: none"> <li>• Ne pas utiliser les mains pour contrôler l'étanchéité.</li> <li>• Mettre le circuit hydraulique hors pression avant d'effectuer l'entretien ou de débrancher le tuyau.</li> </ul> <p>Le liquide sous pression peut aisément percer la peau et provoquer des blessures graves, une gangrène ou la mort. En cas de lésion, consulter immédiatement un médecin pour extraire le liquide hydraulique.</p>

<h3>IMPORTANT</h3>
<p>Décompression du circuit hydraulique :</p> <ol style="list-style-type: none"> <li>1. Débrancher la pompe de l'alimentation électrique.</li> <li>2. Appuyer sur la tige de décompression manuelle et laisser le vérin se rétracter complètement.</li> <li>3. Débrancher le tuyau avec précaution pour libérer toute pression piégée à l'intérieur.</li> </ol>

### Mode d'emploi

1. Pour purger tout l'air piégé dans le circuit hydraulique, placer la tête de l'outil plus bas que la pompe. À l'aide de la pompe, faire avancer et rétracter le piston de vérin plusieurs fois de suite pour éliminer tout l'air piégé dans le tuyau hydraulique ou la tête de l'outil.
2. La pompe s'arrête automatiquement à la fin de la tâche et le système de soupape de décharge de pression à sécurité intégrée est activé. Une électrovanne coupe l'alimentation électrique lorsque la pression atteint 700 bar (10 000 psi). La soupape de décharge hydraulique de secours s'active à 758 bar (11 000 psi).
3. Pour réarmer l'outil attaché, appuyer sur le bouton ► de la commande pendante pour libérer la pression.
4. Débrancher les coupleurs et le tuyau et remettre les capuchons antipoussière en place sur tous les coupleurs. Si les coupleurs ne peuvent pas être débranchés, libérer la pression interne de la pompe.
5. Répéter l'opération ou démonter l'outil ou tuyau raccordé et mettre les capuchons antipoussière en place.
6. Attacher la commande pendante à la pompe. Brancher la fiche électrique dans la prise de courant.

7. Contrôler l'indicateur de liquide hydraulique. Vérifier que le niveau de liquide est au-dessus de l'indicateur rouge.
8. Raccorder le coupleur de tuyau de pompe au coupleur de la tête de pompe. S'assurer que les coupleurs sont solidement attachés pour éviter les fuites de liquide, basses pressions ou débits de liquide insuffisants.
9. Faire basculer le bouton ► sur l'interrupteur suspendu pour relâcher la pression.
10. Faire basculer le bouton ◀ sur l'interrupteur suspendu pour faire tourner le moteur et faire avancer le piston du cylindre de l'outil. Une fois la bascule relâchée, le moteur s'arrête et le plongeur reste en position pour maintenir la pression. La commande pendante câblée permet à l'opérateur d'avancer, de maintenir ou de rétracter le piston à tout moment.

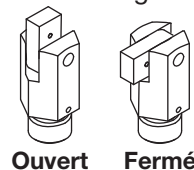
*Remarque : Si le système n'a pas encore été utilisé, un certain temps est nécessaire avant que le liquide soit pompé du réservoir vers le circuit et que l'outil soit actionné. Suivre l'étape 1 du Mode d'emploi pour éliminer l'air du circuit.*

### Remplir de liquide hydraulique

1. Dévisser et déposer la soupape d'air.
2. Remplir de liquide hydraulique neuf.
3. Remettre la soupape d'air en place et bien la revisser.

### Remarques concernant le liquide hydraulique

- Utiliser exclusivement du liquide hydraulique SHELL T37-T46 ou équivalent neuf. Ne pas compléter le niveau du réservoir avec du liquide usagé ni mélanger des liquides différents.
- Le liquide doit être changé une fois que sa couleur a viré au jaune ou s'est assombrie. Changer le liquide de la pompe au bout des trois premiers mois d'utilisation ; par la suite, le changer une fois par an.
- Changer le liquide hydraulique tous les six mois si la pompe est utilisée de façon continue.
- L'emploi d'un liquide de type incorrect endommage les joints de la pompe et provoque un mauvais fonctionnement.
- Ouvrir la soupape d'air avant de faire fonctionner la pompe et la fermer lorsqu'elle n'est pas utilisée.



### Tige de décompression manuelle

Si la commande pendante ne fonctionne pas correctement ou en cas de panne de courant, appuyer sur la tige de décompression manuelle pour libérer la pression (voir la section « Identification » de ce manuel).

## Entretien

### **⚠️ AVERTISSEMENT**

- Couper l'alimentation électrique et libérer la pression avant de nettoyer la tête d'outil ou la pompe.
- Si une fuite est constatée sur la pompe, le tuyau ou l'outil, ne pas utiliser les mains pour rechercher la fuite.

Le non-respect de ces mises en garde peut entraîner des blessures graves ou la mort.

### **IMPORTANT**

Décompression du circuit hydraulique :

1. Débrancher la pompe de l'alimentation électrique.
2. Appuyer sur la tige de décompression manuelle et laisser le vérin se rétracter complètement.
3. Débrancher le tuyau avec précaution pour libérer toute pression piégée à l'intérieur.

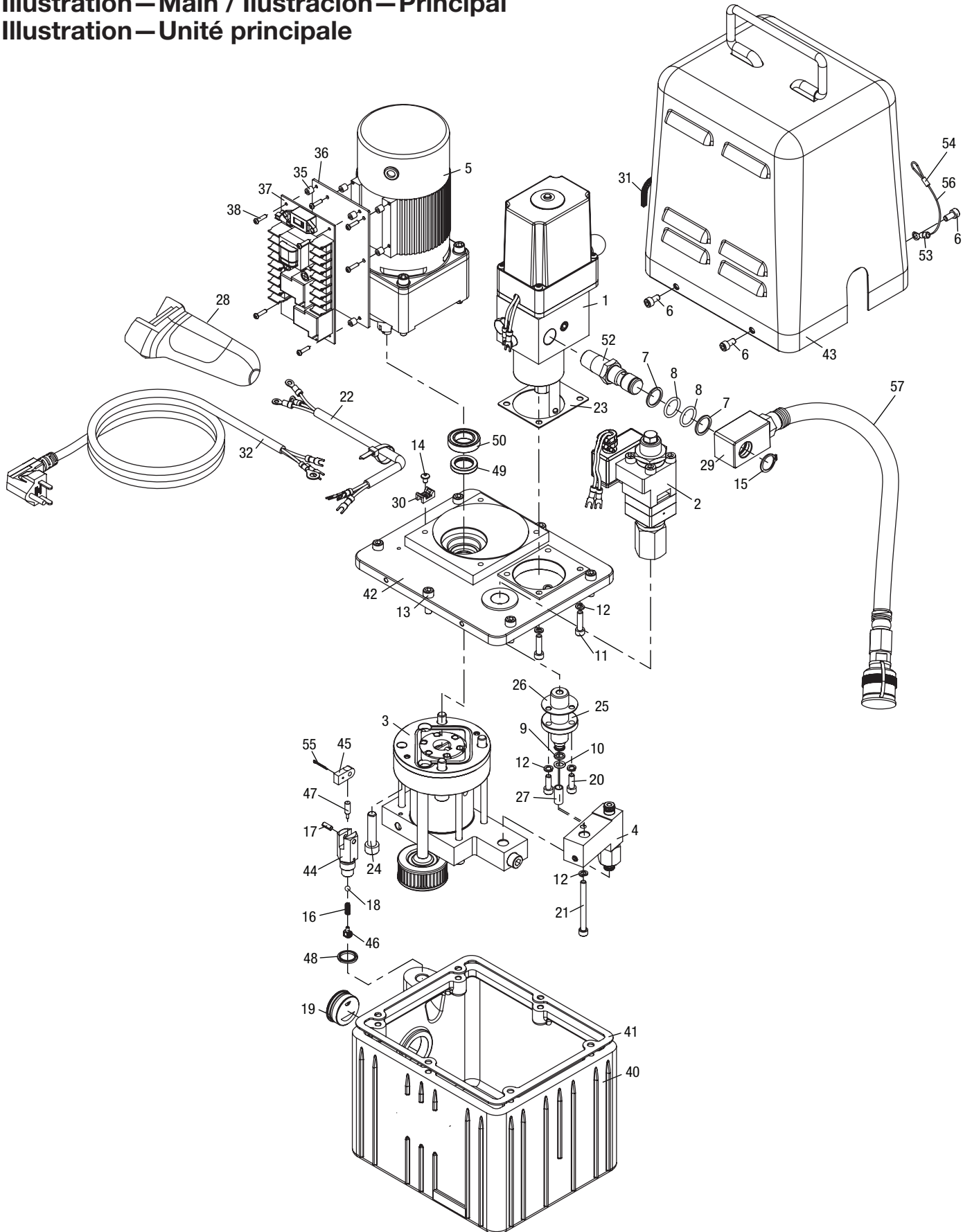
- Garder toutes les pièces mobiles de la pompe bien lubrifiées. S'assurer de l'absence de saleté et de copeaux métalliques sur la pompe. Utiliser un lubrifiant pour nettoyer l'outil le cas échéant.
- Contrôler le niveau de liquide hydraulique avant et après chaque utilisation.
- Le liquide hydraulique doit être changé à intervalles réguliers. Les particules présentes dans le liquide est la cause de défaillance du produit la plus fréquente. Voir « Remplir de liquide hydraulique » dans la section « Fonctionnement ».
- Laisser le moteur de pompe refroidir pendant une période de 10 minutes toutes les 50 minutes d'utilisation continue.
- Température d'exploitation préconisée : -10 °C à 40 °C (14 °F à 104 °F). Voir les caractéristiques du liquide hydraulique.
- Entreposer la pompe dans un endroit frais et sec. **Ne pas** conserver ce produit à des températures élevées, sous une forte humidité ou exposé au soleil. Les températures du liquide hydraulique de plus de 65 °C (149 °F) peuvent ramollir les joints et garnitures d'étanchéité et provoquer des fuites hydrauliques.
- Le réglage de la pression hydraulique doit être effectué exclusivement par un centre de réparation agréé Greenlee.
- Consulter un centre de réparation agréé Greenlee en cas d'anomalies ou de mauvais fonctionnement de cet outil.
- **Ne pas démonter ni tenter de réparer cet outil.**

## Dépannage

<b>Problème</b>	<b>Cause probable</b>	<b>Solution probable</b>
Pression d'exploitation insuffisante.	Restriction de l'écoulement hydraulique.	Vérifier que les coupleurs sont correctement engagés pour éviter de restreindre l'écoulement.
	Perte de pression.	Contrôler la sortie de pompe pour détecter une possible perte de pression. Ne pas utiliser les mains pour détecter les fuites hydrauliques.
	La pompe ne fonctionne pas correctement.	Vérifier que la pompe atteint une pression de 700 bar (10 000 psi). Ne jamais régler la soupape de décharge au-delà de 700 bar (10 000 psi).
La pression hydraulique n'augmente pas.	Le tamis de la pompe est obstrué et restreint le passage de liquide hydraulique.	Nettoyer le tamis et changer le liquide hydraulique à intervalles réguliers.
	L'électrovanne est obstruée ou endommagée, ce qui provoque un mauvais fonctionnement.	S'adresser à un centre de réparation agréé Greenlee pour faire nettoyer ou changer l'électrovanne.
	Il n'y a pas assez de liquide hydraulique dans le circuit.	Voir « Remplir de liquide hydraulique » dans la section « Fonctionnement ».
	La pompe est endommagée.	S'adresser à un centre de réparation agréé Greenlee.
La pression hydraulique augmente et diminue trop lentement.	Le liquide hydraulique est sale.	Voir « Remplir de liquide hydraulique » dans la section « Fonctionnement ».
	Le liquide hydraulique est trop chaud pour utiliser la pompe en continu.	Laisser la pompe et le liquide hydraulique refroidir.
	Air dans le circuit hydraulique.	Placer la tête d'outil plus bas que la pompe. À l'aide de la pompe, faire avancer et rétracter le piston de vérin plusieurs fois de suite pour éliminer tout l'air piégé dans le tuyau hydraulique ou la tête de l'outil.
	Dommage à l'électrovanne de la pompe ou à la pompe elle-même.	S'adresser à un centre de réparation agréé Greenlee.
La pompe ne fonctionne pas du tout. Il n'y a aucun mouvement lorsque les boutons ◀ et ▶ sont actionnés.	Cordons débranchés.	Vérifier que tous les cordons sont correctement branchés. Si le problème persiste, s'adresser à un centre de réparation agréé Greenlee.



**Illustration—Main / Ilustración—Principal  
Illustration—Unité principale**



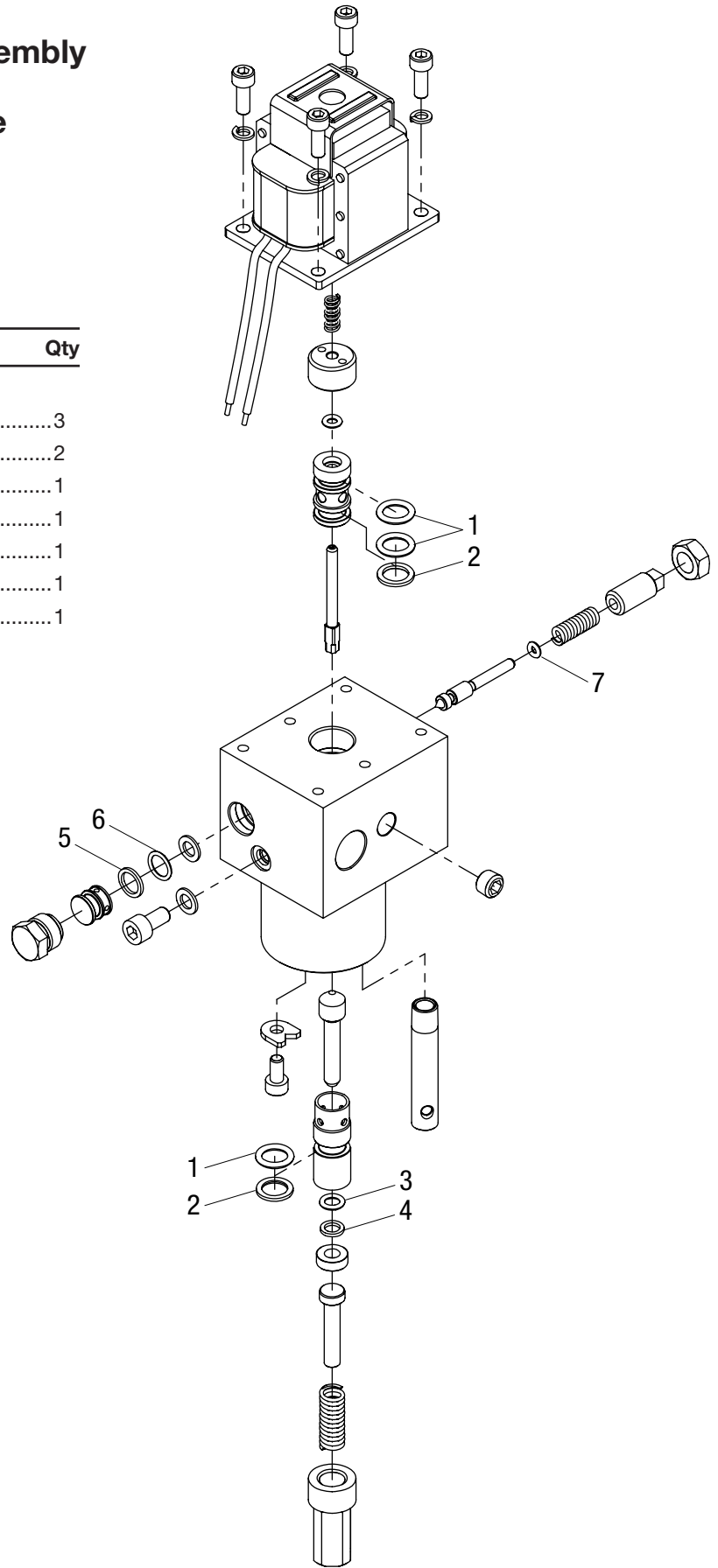
## Parts List—Main / Lista de piezas—Principal / Liste de pièces—Unité principale

Key	Part No.	Description	Qty	Key	Part No.	Description	Qty
1	52057567	Solenoid valve assembly .....	1	36	52057602	Positioning plate .....	1
2	52057568	Pressure switch assembly .....	1	37	52057603	PCB.....	1
3	52057569	Pump assembly .....	1	38		Screw .....	8
4	52057570	High pressure joint assembly.....	1	40	52057606	Reservoir.....	1
5	52057571	Motor .....	1	41		Reservoir gasket .....	1
6		Screw .....	4	42	52057608	Aluminum board.....	1
7		Backup ring.....	2	43	52057609	Cover .....	1
8		O-ring.....	2	44		Exhaust body.....	1
9		Backup ring.....	1	45		Exhaust lever .....	1
10		O-ring.....	1	46		Screw .....	1
11		Screw .....	4	47		Release pin .....	1
12		Spring washer.....	7	48		Oil seal .....	1
13		Screw .....	6	49		Oil seal .....	1
14		Screw .....	1	50	52057616	Ball bearing.....	1
15		Snap ring.....	1	52	52057619	Link catheter .....	1
16		Compression spring.....	1	53		Ring.....	1
17		Spring guide.....	1	54		Collar.....	1
18		Steel ball .....	1	55		Pivot pin.....	1
19	52057585	Oil scale .....	1	56		Lanyard.....	1
20		Screw .....	2	57	52057797	2 m hydraulic hose.....	1
21		Screw .....	1	<b>Greenlee Hydraulic Oil (Mobil DTE® 13M)</b>			
22	52057588	Pendant cord .....	1	90510593/4016GB		1 gallon	
23		Gasket.....	1	90508068/4017GB		1 quart	
24		Screw .....	4	<b>Kits</b>			
25		Flange .....	1	52057575		Air valve kit—includes 16-18, 44-48, 55	
26		Washer .....	1	52057576		Flange kit—includes 9, 10, 12 (2), 20 (2), 25-27	
27		Collar.....	1	52057677		Fastener kit—includes 6 (4), 11 (4), 12 (5), 13 (6), 14, 21, 24 (4), 30, 31, 35 (8), 38 (8), 53, 54, 56	
28	52057594	Pendant switch .....	1	52057674		Seal kit—includes repair kits 1-4 and 7 (2), 8 (2), 15, 23, 41, 49	
29	52057595	Swivel joint body.....	1	52058040		Decal kit	
30		Cable tie mount .....	1				
31		Edge guard .....	1				
32	52057598	Power cord .....	1				
35		Plastic liner.....	8				



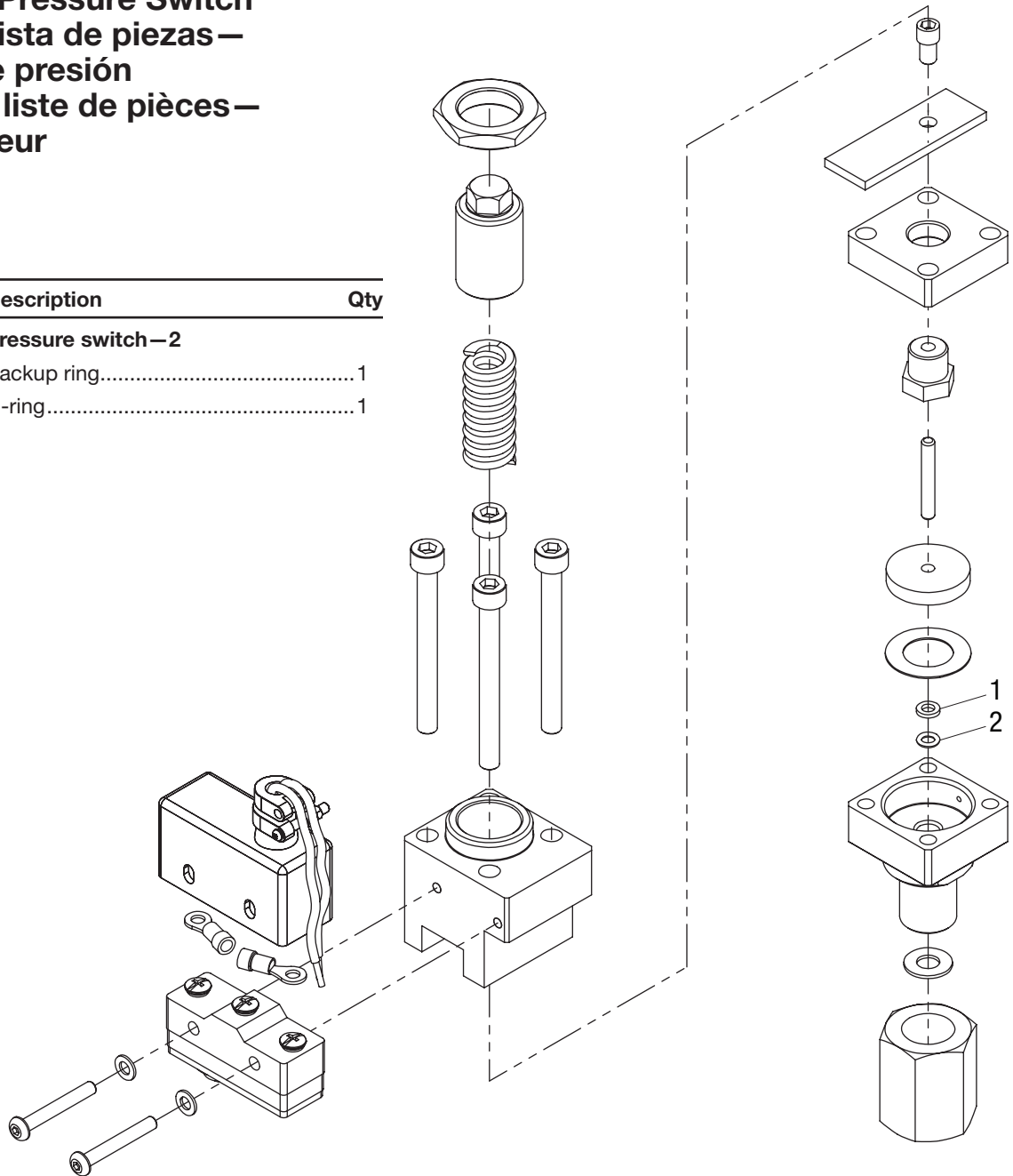
**Illustration and Parts List—  
Repair Kit 1: Solenoid Valve Assembly**  
**Ilustracion y lista de piezas—  
Conjunto de válvula de solenoide**  
**Illustration et liste de pièces—  
Électrovanne**

Key	Part No.	Description	Qty
<b>Solenoid valve assembly—1</b>			
1		O-ring.....	3
2		Backup ring.....	2
3		O-ring.....	1
4		Backup ring.....	1
5		Backup ring.....	1
6		O-ring.....	1
7		O-ring.....	1



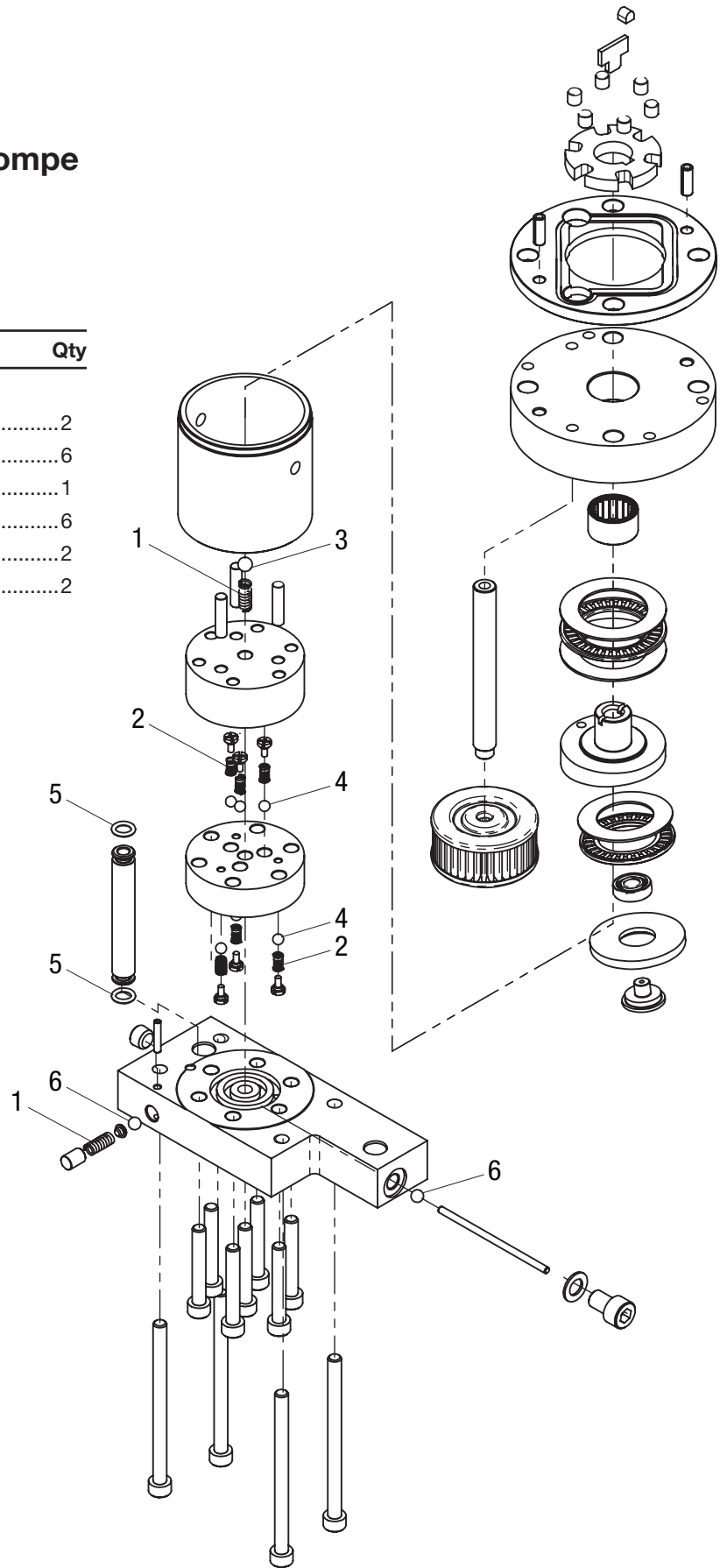
**Illustration and Parts List—  
Repair Kit 2: Pressure Switch  
Ilustracion y lista de piezas—  
Interruptor de presión  
Illustration et liste de pièces—  
Manocontacteur**

Key	Part No.	Description	Qty
<b>Pressure switch—2</b>			
1		Backup ring.....	1
2		O-ring.....	1

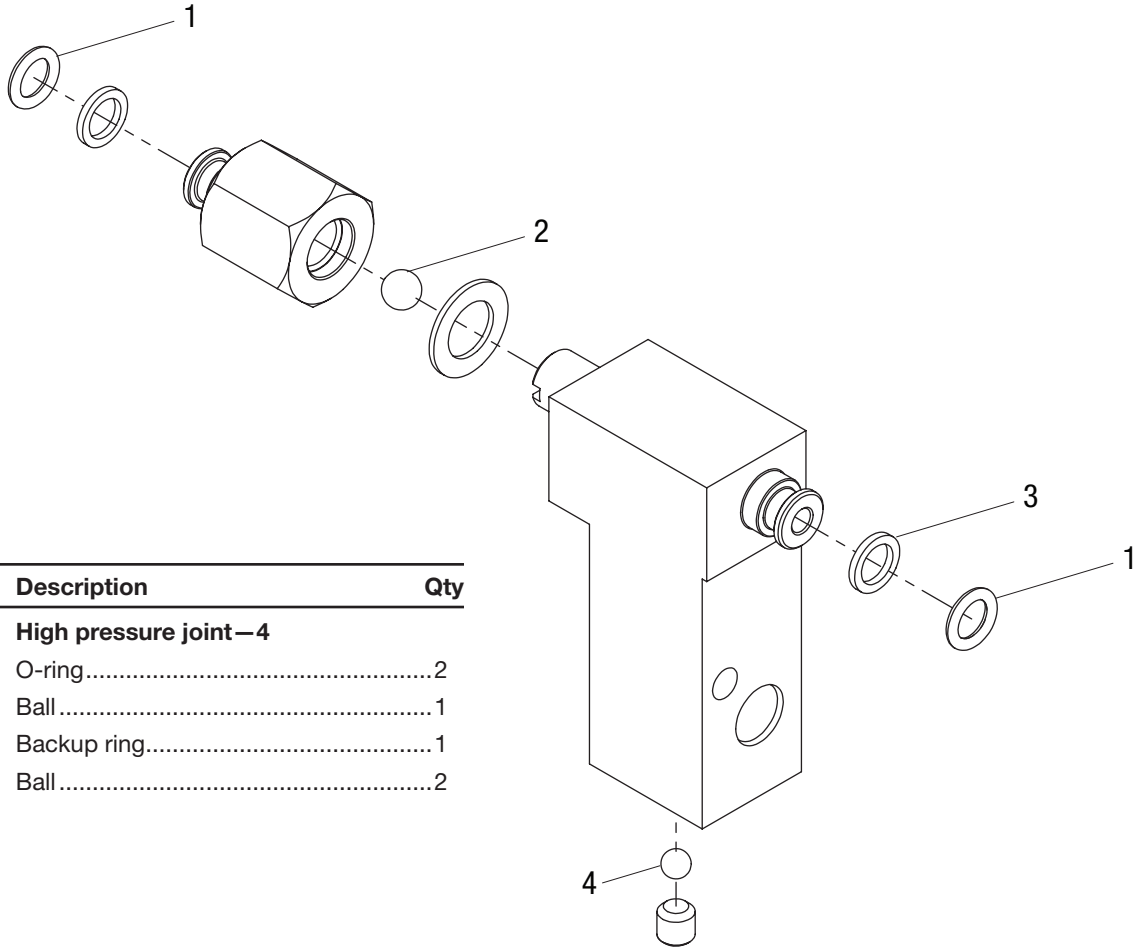


**Illustration and Parts List—  
Repair Kit 3: Pump Assembly**  
**Ilustracion y lista de piezas—  
Conjunto de la bomba**  
**Illustration et liste de pièces—Pompe**

Key	Part No.	Description	Qty
<b>Pump assembly—3</b>			
1		Compression spring.....	2
2		Compression spring.....	6
3		Ball.....	1
4		Ball.....	6
5		O-ring.....	2
6		Ball.....	2



**Illustration and Parts List—Repair Kit 4: High Pressure Joint**  
**Ilustración y lista de piezas—Unión de alta presión**  
**Illustration et liste de pièces—Raccord haute pression**



Key	Part No.	Description	Qty
<b>High pressure joint—4</b>			
1		O-ring.....	2
2		Ball.....	1
3		Backup ring.....	1
4		Ball.....	2