

INSTRUCTION MANUAL MANUAL DE INSTRUCCIONES MANUEL D'INSTRUCTIONS



GREENLEE®

A Textron Company



CMT-80

Clamp-on Meter

Medidor con pinza

Contrôleur numérique à pinces

Read and understand all of the instructions and safety information in this manual before operating or servicing this tool.



Lea y entienda todas las instrucciones y la información sobre seguridad que aparecen en este manual, antes de manejar estas herramientas o darles mantenimiento.

Lire attentivement et bien comprendre toutes les instructions et les informations sur la sécurité de ce manuel avant d'utiliser ou de procéder à l'entretien de cet outil.

Register this product at www.greenlee.com / Registre este producto en www.greenlee.com / Enregistrez votre produit en ligne, www.greenlee.com

Description

The Greenlee CMT-80 Digital Clamp-on Meter is a hand-held testing device with the following measurement capabilities: AC and DC voltage, AC current, and resistance. It also tests diodes and verifies continuity.

This unit automatically determines measurement function based on input. It has a smart data hold feature with audible and visual alert if the input changes significantly while the unit is in HOLD mode. The unit automatically enters HOLD mode when the jaw is removed from a conductor while measuring AC current. It performs a self-test and displays approximate remaining battery capacity during the power-up sequence. The Automatic Power Off feature can be disabled if desired.

Safety

Safety is essential in the use and maintenance of Greenlee tools and equipment. This instruction manual and any markings on the tool provide information for avoiding hazards and unsafe practices related to the use of this tool. Observe all of the safety information provided.

Purpose of This Manual

This instruction manual is intended to familiarize all personnel with the safe operation and maintenance procedures for the Greenlee CMT-80 Digital Clamp-on Meter.

Keep this manual available to all personnel.

Replacement manuals are available upon request at no charge at www.greenlee.com.

Lifetime Limited Warranty

Greenlee Textron Inc. warrants to the original purchaser of these goods for use that these products will be free from defects in workmanship and material for their useful life, excepting normal wear and abuse. This warranty is subject to the same terms and conditions contained in Greenlee Textron Inc.'s standard one-year limited warranty.

For all Test Instrument repairs, contact Customer Service at 800-435-0786 and request a Return Authorization.

For items not covered under warranty (such as items dropped, abused, etc.), a repair cost quote is available upon request.

Note: Prior to returning any test instrument, please check replaceable batteries or make sure the battery is at full charge.

Important Safety Information



SAFETY ALERT SYMBOL

This symbol is used to call your attention to hazards or unsafe practices which could result in an injury or property damage. The signal word, defined below, indicates the severity of the hazard. The message after the signal word provides information for preventing or avoiding the hazard.

⚠ DANGER

Immediate hazards which, if not avoided, **WILL** result in severe injury or death.

⚠ WARNING

Hazards which, if not avoided, **COULD** result in severe injury or death.

⚠ CAUTION

Hazards or unsafe practices which, if not avoided, **MAY** result in injury or property damage.



⚠ WARNING

Read and understand this material before operating or servicing this equipment. Failure to understand how to safely operate this tool could result in an accident causing serious injury or death.



Do not discard this product or throw away!
For recycling information, go to www.greenlee.com.

All specifications are nominal and may change as design improvements occur. Greenlee Textron Inc. shall not be liable for damages resulting from misapplication or misuse of its products.

® Registered: The color green for electrical test instruments is a registered trademark of Greenlee Textron Inc.

KEEP THIS MANUAL

Important Safety Information



⚠ WARNING

Electric shock hazard:

Contact with live circuits could result in severe injury or death.

⚠ WARNING

Electric shock and fire hazard:

- Do not expose this unit to rain or moisture.
- Do not use the unit if it is wet or damaged.
- Use test leads or accessories that are appropriate for the application. Refer to the category and voltage rating of the test lead or accessory.
- Inspect the test leads or accessory before use. They must be clean and dry, and the insulation must be in good condition.
- Use this unit for the manufacturer's intended purpose only, as described in this manual. Any other use can impair the protection provided by the unit.

Failure to observe these warnings could result in severe injury or death.

⚠ WARNING

Electric shock hazard:

- Do not apply more than the rated voltage between any two input terminals, or between any input terminal and earth ground.
- Do not contact the test lead tips or any uninsulated portion of the accessory.

Failure to observe these warnings could result in severe injury or death.

Important Safety Information

WARNING

Electric shock hazard:

- Do not operate with the case or battery cover open.
- Before removing the case or battery cover, remove the test leads (or jaw) from the circuit and shut off the unit.

Failure to observe these warnings could result in severe injury or death.

WARNING

Electric shock hazard:

- Unless measuring voltage or current, shut off and lock out power. Make sure that all capacitors are discharged. Voltage must not be present.
- Using this unit near equipment that generates electromagnetic interference can result in unstable or inaccurate readings.

Failure to observe these warnings could result in severe injury or death.

CAUTION

Electric shock hazard:

- Do not attempt to repair this unit. It contains no user-serviceable parts.
- Do not expose the unit to extremes in temperature or high humidity. Refer to "Specifications."
- Do not connect to voltage for longer than 30 seconds.

Failure to observe these precautions may result in injury and can damage the unit.

CAUTION

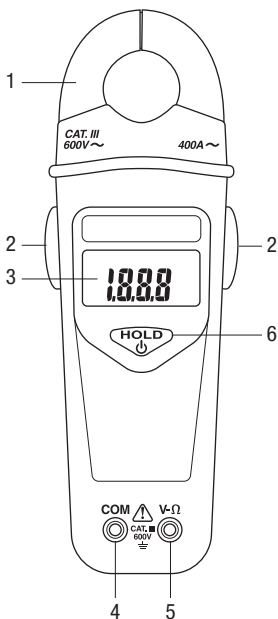
Electric shock hazard:

Do not use the meter to measure voltages in circuits that could be damaged or actuated by the meter's low input impedance (approximately 4 k Ω).

Failure to observe this precaution may result in injury and can damage the unit.

Identification

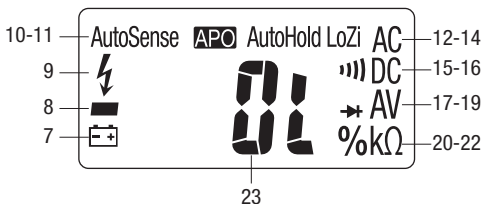
1. Jaw
2. Lever
3. Display
4. Common (COM) input terminal
5. Volts or resistance (V-Ω) input terminal
6. ON/OFF/HOLD button



Display Icons

7. Low battery indicator
8. Polarity indicator
9. Measured voltage is greater than 30 volts AC or DC
10. **AutoSense** Automatic selection is active
11. **APO** Automatic Power Off is enabled
12. **AutoHold** Hold function is enabled
13. **LoZi** Low input impedance is active
14. **AC** AC measurement is selected
15. Continuity
16. **DC** DC measurement is selected
17. Diode
18. **A** Amperes
19. **V** Voltage
20. **%** Percent
21. **k** Kilo (10^3)
22. **Ω** Ohms
23. **OL** Overload indicator

Note: Icons that appear on the display but are not identified are not used on this model.



Symbols on the Unit

- Warning—Read the instruction manual
- Electric shock hazard
- Application around and removal from hazardous live conductors is permitted.
- Double insulation
- Battery
- Recycle product in accordance with manufacturer's directions


Using the Features

- **ON/OFF/HOLD:** Momentarily press the ON/OFF/HOLD button to hold the present measurement on the display; momentarily press again to return to the normal display mode. Press and hold to turn the unit on or off.
- **Smart Hold:** The hold feature is disabled when “OL” is displayed on the LCD. The LCD will blink and the beeper will sound if the unit is in HOLD mode and the input increases by 5.0 volts or 5.0 amps. It will also blink and flash if the unit is in HOLD mode and detects an input type change, such as from AC volts to AC amps.
- **Auto Hold (AC amps only):** The unit automatically holds a stable AC current measurement that is 3 amps or more. The unit beeps three times to indicate it has saved the stable value. This value will be displayed for 5 seconds after the unit is removed from the conductor. The value can be recalled by pressing the HOLD button. To enable this feature, press and hold the ON/OFF/HOLD button until the “AutoHold” icon blinks when turning the unit on, approximately 5 seconds.
- **Battery Capacity Display:** The unit displays the percentage of remaining battery capacity when it is powering up. Replace the battery when “0%” is shown.
- **Power-on Self-test:** The unit automatically tests its internal circuitry after it displays battery capacity. If a problem is found, the LCD will display “FAIL”. Do not use the meter if “FAIL” is shown on the LCD.

Note: Do not measure while powering up as this could cause an incorrect self-test failure.

- **Automatic Power Off:** To extend battery life, the unit will shut itself off after approximately 20 minutes of inactivity. To disable this feature, press and hold the ON/OFF/HOLD button until the “APO” icon blinks when turning the unit on, approximately 3 seconds.

Operation

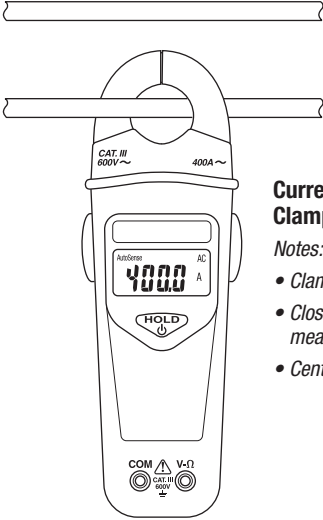
	⚠ WARNING
	<p>Electric shock hazard: Contact with live circuits could result in severe injury or death.</p>

1. The meter automatically selects the proper measurement according to the following table.

Priority	Display	Conditions
1	AC volts or DC volts, whichever is greater	Input at terminals is 1.3 to 600.0 VAC 2.1 to 600.0 VDC -0.7 to -600.0 VDC
2	Resistance and continuity	Input at terminals is 0 to ∞ Ω 0 to 0.9 VAC 1.0 to 2.0 VDC -0.2 to -0.4 VDC
3	Diode test	Input at terminals is 0.4 to 0.8 VDC
4	AC amps	AC current through jaw is 0.9 to 400.0 A

2. Refer to “Typical Measurements” for specific measurement instructions.
3. Test the unit on a known functioning circuit or component of the type you intend to measure.
 - If the unit does not function as expected on a known functioning circuit, replace the battery.
 - If the unit still does not function as expected, send the unit to Greenlee for repair. Refer to the instructions under the Warranty.
4. Take the reading from the circuit or component to be tested.

Typical Measurements



Current Measurement— Clamp Around Wire

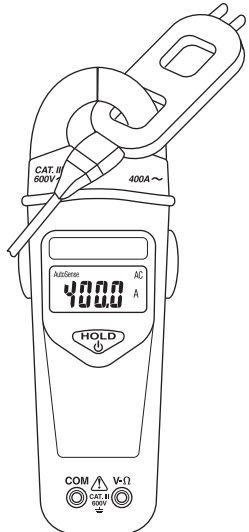
Notes:

- Clamp the jaw around one conductor only.
- Close the jaw completely to ensure accurate measurement.
- Center the wire in the jaw for highest accuracy.

Current Measurement— Clamp Around Line Splitter

Notes:

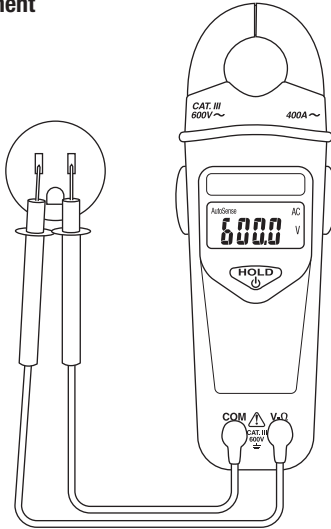
- The Greenlee 93-30 Line Splitter is divided. One section renders amps; the other renders amps multiplied by 10.
- Close the jaw completely to ensure accurate measurement.
- Center the line splitter in the jaw for highest accuracy.



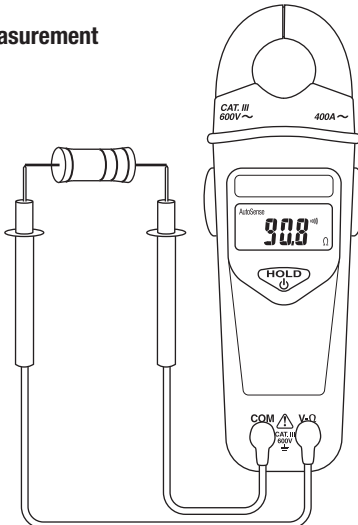


Typical Measurements

Voltage Measurement

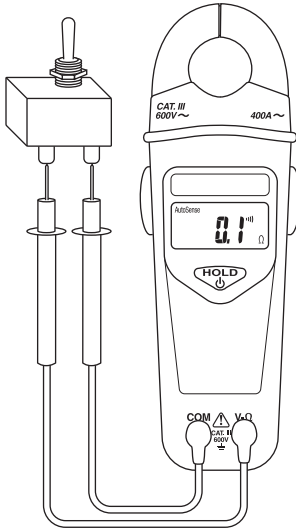


Resistance Measurement

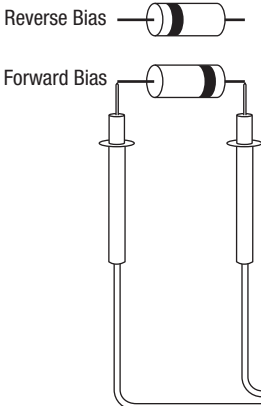


Typical Measurements

Continuity Check



Diode Measurement



Accuracy

Refer to “Specifications” for operating conditions and temperature coefficient.

Accuracy is specified as follows: \pm (a percentage of the reading + a fixed amount) at 23 °C \pm 5 °C (73.4 °F \pm 9 °F), 0% to 80% relative humidity.

Accuracy for AC measurements is specified for input crest factors that do not exceed the values in the “Maximum Input Crest Factor” table on this page.

Accuracy Table

Characteristic	Range	Accuracy	Frequency Range
AC Current	0.9 to 400.0 A	\pm (1.8% + 0.3 A)	50 to 60 Hz
AC Voltage*	1.3 to 600.0 V	\pm (1.5% + 0.3 V)	50 to 500 Hz
DC Voltage*	2.1 to 600.0 V	\pm (1.0% + 0.2 V)	N/A
	-0.7 to -600.0 V	\pm (1.0% + 0.4 V)	
Resistance**	0 to 999 Ω	\pm (2.0% + 4 Ω)	N/A
	1.000 to 9.999 k Ω	\pm (2.0% + 0.004 k Ω)	
Diode Test	0.4 to 0.8 V	\pm (1.0% + 0.2 V)	N/A

* Input impedance: 4 k Ω nominal at voltages up to 30 V; increases with voltage to approximately 375 k Ω at 600 V

** Open circuit voltage: 1.5 V maximum

Continuity

Tone on: Circuit resistance is \leq 25 Ω (approximately).

Tone off: Circuit resistance is \geq 400 Ω (approximately).

Specifications

Display: 10,000-count LCD

Maximum Conductor Size: 27 mm (1.06")

Display update rate is 3 per second for voltage, diode test, and resistance;
2 per second for current

Duty Cycle (voltage above 30 V):

30 seconds ON (maximum)

2 minutes OFF (minimum)

Automatic Power Off: After approximately 20 minutes

Temperature Coefficient: 0.2 x (Accuracy) per °C below 18 °C or above 28 °C

Measurement Categories: Category III, 600 V

Operating Conditions:

Temperature:

0 °C to 30 °C (32 °F to 86 °F), 0% to 80% relative humidity

30 °C to 40 °C (86 °F to 104 °F), 0% to 75% relative humidity

40 °C to 50 °C (104 °F to 122 °F), 0% to 45% relative humidity

Altitude: 2000 m (6500') maximum

Indoor use only

Storage Conditions: -20 °C to 60 °C (-4 °F to 140 °F),

0% to 80% relative humidity

Remove battery

Pollution Degree: 2

Battery: 9 V battery (NEDA 1604, JIS 006P or IEC 6F22)

Battery Life: Approximately 250 hours with alkaline battery

Measurement Categories

These definitions were derived from the international safety standard for insulation coordination as it applies to measurement, control, and laboratory equipment. These measurement categories are explained in more detail by the International Electrotechnical Commission; refer to either of their publications: IEC 61010-1 or IEC 60664.

Measurement Category I

Signal level. Electronic and telecommunication equipment, or parts thereof. Some examples include transient-protected electronic circuits inside photocopiers and modems.

Measurement Category II

Local level. Appliances, portable equipment, and the circuits they are plugged into. Some examples include light fixtures, televisions, and long branch circuits.

Measurement Category III

Distribution level. Permanently installed machines and the circuits they are hard-wired to. Some examples include conveyor systems and the main circuit breaker panels of a building's electrical system.

Measurement Category IV

Primary supply level. Overhead lines and other cable systems. Some examples include cables, meters, transformers, and other exterior equipment owned by the power utility.

Statement of Conformity

Greenlee Textron Inc. is certified in accordance with ISO 9001 (2000) for our Quality Management Systems.

The instrument enclosed has been checked and/or calibrated using equipment that is traceable to the National Institute for Standards and Technology (NIST).

Maintenance

CAUTION

Electric shock hazard:

- Do not attempt to repair this unit. It contains no user-serviceable parts.
- Do not expose the unit to extremes in temperature or high humidity. Refer to "Specifications."

Failure to observe these precautions may result in injury and can damage the unit.

Battery Replacement

WARNING

Electric shock hazard:

Before removing the case or battery cover, remove the test leads (or jaw) from the circuit and shut off the unit.

Failure to observe this warning could result in severe injury or death.

1. Disconnect the unit from the circuit.
2. Remove the screws from the battery cover.
3. Remove the battery cover.
4. Replace the battery. Observe polarity.
5. Replace the cover and screws.

Cleaning

Periodically wipe the case with a damp cloth and mild detergent; do not use abrasives or solvents.



GREENLEE.

Descripción

El Medidor digital con pinza modelo CMT-80 de Greenlee es un instrumento de verificación capaz de efectuar los siguientes tipos de mediciones: tensión alterna y continua, corriente alterna y resistencia. Esta unidad es de bolsillo y cabe perfectamente en la palma de la mano. Sirve también para probar diodos y verificar continuidad.

Esta unidad determina automáticamente la función de medición según la entrada. Posee una característica inteligente de retención de datos con alerta audible y visual si la entrada cambia significativamente mientras la unidad se encuentra en modo HOLD (RETENCIÓN DE DATOS EN PANTALLA). La unidad se activa automáticamente en modo HOLD cuando la pinza se retira de un conductor durante la medición de corriente de CA. Lleva a cabo una autoverificación y muestra aproximadamente la capacidad restante de la pila durante la secuencia de encendido. Se puede inhabilitar la característica de apagado automático si así se desea.

Acerca de la seguridad

Es fundamental observar métodos seguros al utilizar y dar mantenimiento a las herramientas y equipo Greenlee. Este manual de instrucciones y todas las marcas que ostenta la herramienta le ofrecen la información necesaria para evitar riesgos y hábitos poco seguros relacionados con su uso. Siga toda la información sobre seguridad que se proporciona.

Propósito de este manual

Este manual de instrucciones tiene como propósito familiarizar a todo el personal con los procedimientos de operación y mantenimiento seguros para el Medidor con pinza, modelo CMT-80 de Greenlee.

Mantenga siempre este manual al alcance de todo el personal.

Puede obtener copias adicionales de manera gratuita, previa solicitud en www.greenlee.com.

Garantía limitada válida durante la vida útil del producto

Greenlee Textron Inc. le garantiza al comprador original de estos bienes de uso, que los mismos estarán libres de defectos de materiales y fabricación durante su vida útil, excepto en el caso de que sean maltratados o hayan sufrido el deterioro normal. Esta garantía está sujeta a los mismos términos y condiciones de la garantía estándar limitada válida por un año, otorgada por Greenlee Textron Inc.

Para reparaciones de todo instrumento de verificación, comuníquese con el Departamento de Servicio al Cliente al 800-435-0786 y solicite una autorización de devolución.

Puede obtener, previa solicitud, una cotización de precios de reparación para aquellos artículos que no están cubiertos bajo esta garantía (los que se han dejado caer o han sido maltratados).

Aviso: Antes de devolver un instrumento de verificación, revise si las baterías están bajas y es necesario reemplazarlas.

Importante Información sobre Seguridad



SÍMBOLO DE ALERTA SOBRE SEGURIDAD

Este símbolo se utiliza para indicar un riesgo o práctica poco segura que podría ocasionar lesiones o daños materiales. Cada uno de los siguientes términos denota la gravedad del riesgo. El mensaje que sigue a dichos términos le indica cómo puede evitar o prevenir ese riesgo.

PELIGRO

Peligros inmediatos que, de no evitarse, OCASIONARÁN graves lesiones o incluso la muerte.

ADVERTENCIA

Peligros que, de no evitarse, PODRÍAN OCASIONAR graves lesiones o incluso la muerte.

ATENCIÓN

Peligro o prácticas peligrosas que, de no evitarse, PUEDEN OCASIONAR lesiones o daños materiales.



ADVERTENCIA

Lea y entienda este documento antes de manejar esta herramienta o darle mantenimiento. Utilizarla sin comprender cómo manejarla de manera segura podría ocasionar un accidente y, como resultado de éste, graves lesiones o incluso la muerte.



¡No deseche ni descarte este producto!

Para información sobre reciclaje, visite www.greenlee.com.

Todas las especificaciones son nominales y pueden cambiar conforme tengan lugar mejoras de diseño. Greenlee Textron Inc. no se hace responsable de los daños que puedan surgir de la mala aplicación o mal uso de sus productos.

® Registrado: El color verde para instrumentos de verificación eléctricos es una marca registrada de Greenlee Textron Inc.

CONSERVE ESTE MANUAL

Importante Información sobre Seguridad



⚠️ ADVERTENCIA

Peligro de electrocución:

El contacto con circuitos activados podría ocasionar graves lesiones o incluso la muerte.

⚠️ ADVERTENCIA

Peligro de electrocución e incendio:

- No esponga esta unidad ni a la lluvia ni a la humedad.
- No utilice esta unidad si se encuentra mojada o dañada.
- Utilice cables de prueba y accesorios que sean apropiados para la aplicación que se va a realizar. Consulte la información sobre categoría y voltaje nominal del cable de prueba o el accesorio.
- Revise minuciosamente los cables de prueba o el accesorio, antes de utilizarlos. Deberán estar limpios y secos, y su forro aislante deberá hallarse en buenas condiciones.
- Utilícela únicamente para el propósito para el que ha sido diseñada por el fabricante, tal como se describe en este manual. Cualquier otro uso puede menoscabar la protección proporcionada por la unidad.

De no observarse estas advertencias podrían sufrirse graves lesiones o incluso la muerte.

⚠️ ADVERTENCIA

Peligro de electrocución:

- No aplique más del voltaje nominal entre dos terminales de entrada cualesquiera, o entre una terminal de entrada cualquiera y una conexión a tierra.
- No toque las puntas de los cables de prueba ni ninguna parte del accesorio que carezca de forro aislante.

De no observarse estas advertencias podrían sufrirse graves lesiones o incluso la muerte.

Importante Información sobre Seguridad

ADVERTENCIA

Peligro de electrocución:

- No haga funcionar esta unidad con la caja o la tapa del compartimiento de las pilas abierta.
- Antes de retirar la caja o la tapa del compartimiento de las pilas, retire del circuito los cables de prueba (o la pinza), y apague la unidad.

De no observarse estas advertencias podrían sufrirse graves lesiones o incluso la muerte.

ADVERTENCIA

Peligro de electrocución:

- A menos que vaya a medir tensión o corriente, apague y bloquee la energía. Asegúrese de que todos los condensadores estén totalmente sin carga. No debe haber tensión alguna.
- Al utilizar esta unidad cerca de equipo que genere interferencia electromagnética quizá se obtenga una lectura inexacta e inestable.

De no observarse estas advertencias podrían sufrirse graves lesiones o incluso la muerte.

ATENCIÓN

Peligro de electrocución:

- No intente reparar esta unidad, ya que contiene partes que deben recibir mantenimiento por parte de un profesional.
- No exponga la unidad a ambientes de temperatura extrema o altos niveles de humedad. Consulte la sección “Especificaciones”.
- No conecte a tensión por más de 30 segundos.

De no observarse estas precauciones pudieran sufrirse lesiones o daños a la unidad.

ATENCIÓN

Peligro de electrocución:

No utilice el medidor para medir tensiones en circuitos que pudieran dañarse o accionarse debido a la impedancia baja de entrada del medidor (aproximadamente 4 k Ω).

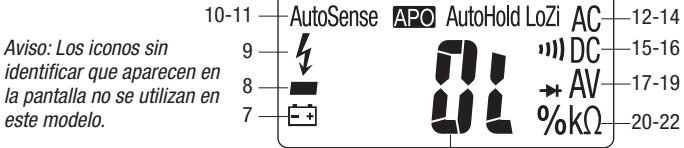
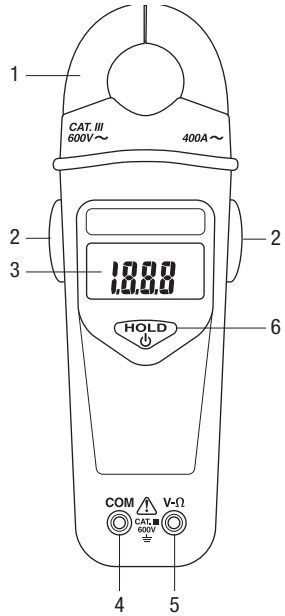
De no observarse esta advertencia pudieran sufrirse lesiones o daños a la unidad.

Identificación

1. Pinza
2. Palanca
3. Pantalla
4. Terminal de entrada (COM) común
5. Terminal de entrada (V-Ω) de voltios o resistencia
6. Botón ON/OFF/HOLD (ENCENDIDO/APAGADO/RETENCIÓN DE DATOS EN PANTALLA)

Iconos de la pantalla

7. Indicador de pila baja
8. Indicador de polaridad
9. La tensión medida es mayor de 30 voltios CA o CC
10. **AutoSense** La selección automática se encuentra activa
11. **APO** Se activa la función de Apagado automático
12. **AutoHold** Se activa la función "Hold" (Retención de datos en pantalla).
13. **LoZi** La impedancia de entrada baja se encuentra activa
14. **AC** Se selecciona medición de CA.
15. Continuidad
16. **DC** Se selecciona medición de CC.
17. **APO** Diodo
18. **A** Amperios
19. **V** Tensión
20. **%** Porcentaje
21. **k** Kilo (10^3)
22. **Ω** Ohmios
23. **OL** Indicador de sobrecarga




Símbolos en la unidad

- Advertencia — Lea el manual de instrucciones
- Peligro de electrocución
- Se permite la aplicación y retiro de la unidad alrededor de conductores energizados peligrosos.
- Doble forro aislante
- Pila
- Recicle el producto de acuerdo con lo establecido en las direcciones del fabricante

Cómo utilizar las distintas funciones

- **Botón ON/OFF/HOLD (ENCENDIDO/APAGADO/RETENCIÓN DE DATOS EN PANTALLA):** Oprima momentáneamente el botón ON/OFF/HOLD para retener en pantalla el valor que aparece en ese momento; oprima de nuevo momentáneamente para volver al modo normal. Oprima y mantenga oprimido el botón para encender o apagar la unidad.
 - **Botón Smart Hold (Retención inteligente de datos en pantalla):** La característica Hold se inhabilita cuando “OL” aparece en la pantalla LCD. La pantalla LCD parpadeará y el tono audible sonará si la unidad está en modo HOLD y la entrada aumenta 5,0 voltios o 5,0 amperios. También parpadeará y se iluminará si la unidad se encuentra en modo HOLD y detecta un cambio en el tipo de entrada, como ocurre al cambiar de voltios de CA a amperios de CA.
 - **Botón Auto Hold (Retención automática de datos en pantalla), (solamente para amperios de CA):** La unidad retiene automáticamente una medición estable de corriente CA que sea de 3 amperios o más. La unidad emite tres pitidos para indicar que ha guardado el valor estable. Este valor aparecerá durante 5 segundos después de que la unidad sea retirada del conductor. El valor puede ser recuperado al presionar el botón HOLD. Para habilitar esta característica, oprima sin soltar el botón ON/OFF/HOLD hasta que el icono “AutoHold” parpadee al encender la unidad, aproximadamente 5 segundos.
 - **Pantalla de capacidad de pila:** La unidad muestra el porcentaje de la capacidad restante de la pila cuando se enciende. Cambie la pila cuando aparezca en pantalla “0%”.
 - **Autoverificación durante el encendido:** La unidad prueba automáticamente sus circuitos internos después de mostrar la capacidad de la pila. Si se detecta algún problema, en la pantalla LCD aparecerá el mensaje “FAIL” (FALLO). No use el medidor si en la pantalla aparece el mensaje “FAIL”.
- Aviso: No realice mediciones durante el encendido de la unidad ya que esto podría causar un fallo por autoverificación errónea.*
- **Apagado automático:** A fin de prolongar la vida útil de la pila, la unidad se apagará por sí sola después de aproximadamente 20 minutos de inactividad. Para inhabilitar esta característica, oprima sin soltar el botón ON/OFF/HOLD hasta que el icono “APO” parpadee al encender la unidad, aproximadamente 3 segundos.

Operación

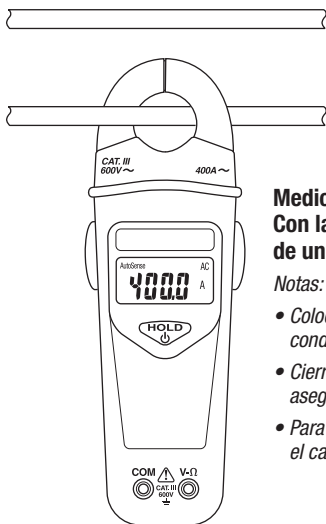
	<h3>⚠ ADVERTENCIA</h3>
	<p>Peligro de electrocución: El contacto con circuitos activados podría ocasionar graves lesiones o incluso la muerte.</p>

1. El medidor seleccionará automáticamente la medición adecuada de acuerdo con la siguiente tabla.

Prioridad	Pantalla	Condiciones
1	Voltios de CA o voltios de CC, el que sea mayor	La entrada en las terminales es 1,3 a 600,0 V CA 2,1 a 600,0 V CC -0,7 a -600,0 V CC
2	Resistencia y continuidad	La entrada en las terminales es 0 a ∞ Ω 0 a 0,9 V CA 1,0 a 2,0 V CC -0,2 a -0,4 V CC
3	Verificación de diodos	La entrada en las terminales es 0,4 a 0,8 V CC
4	Amperios de CA	Corriente de CA a través de la pinza es 0,9 a 400,0 A

2. Consulte la sección “Mediciones más comunes” en relación con las instrucciones específicas para cada tipo de medición.
3. Pruebe la unidad en un circuito o componente del tipo que desea medir, que se sabe está funcionando perfectamente.
 - Si la unidad no funciona como debería en un circuito que se sabe está funcionando perfectamente, reemplace la pila.
 - Si sigue sin funcionar como debería, devuélvala a Greenlee a fin de que sea reparada. Consulte las instrucciones en la sección “Garantía”.
4. Anote la lectura del circuito o componente que se está verificando.

Mediciones más comunes



Medición de corriente— Con la pinza colocada alrededor de un cable

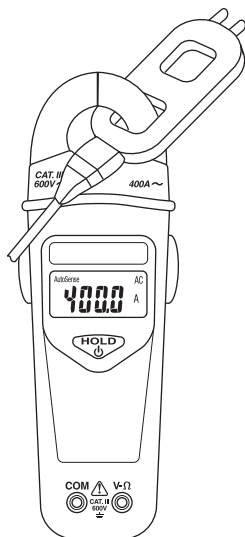
Notas:

- Coloque la pinza alrededor de un solo conductor únicamente.
- Cierre completamente la pinza a fin de asegurar una medición exacta.
- Para obtener una mayor precisión centre el cable en la pinza.

Medición de corriente — Con la pinza colocada alrededor del separador de líneas

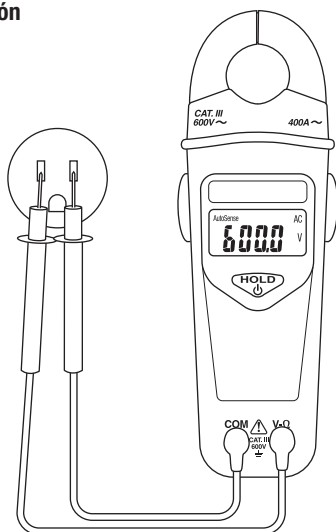
Notas:

- El separador de líneas Greenlee 93-30 está dividido. Una sección lee amperios; la otra, amperios multiplicados por 10.
- Cierre completamente la pinza a fin de asegurar una medición exacta.
- Para obtener una mayor precisión centre el separador de líneas en la pinza.

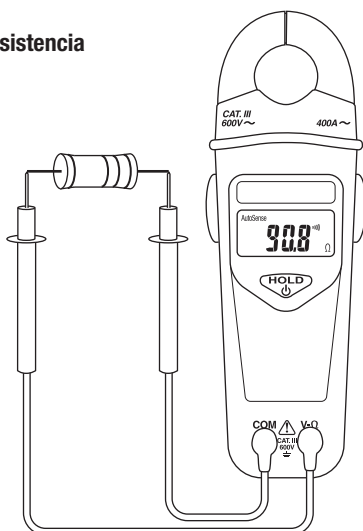


Mediciones más comunes

Medición de tensión

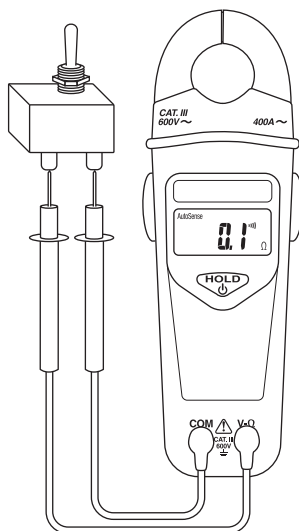


Medición de resistencia

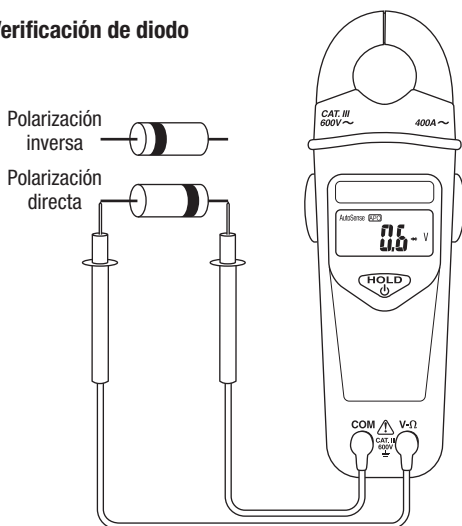


Mediciones más comunes

Verificación de continuidad



Verificación de diodo



Precisión

Consulte la sección “Especificaciones” en relación con las condiciones de operación y el coeficiente de temperatura.

La precisión se especifica de la siguiente manera: \pm (un porcentaje de la lectura + una cantidad fija) a $23^{\circ}\text{C} \pm 5^{\circ}\text{C}$ ($73,4^{\circ}\text{F} \pm 9^{\circ}\text{F}$), 0% a 80% de humedad relativa.

La precisión para las mediciones de corriente alterna se especifica para los factores de cresta de entrada que no exceden los valores en la tabla “Factor de cresta de entrada máximo” en esta página.

Tabla de precisión

Función	Escala	Precisión	Escala de frecuencia
Corriente alterna (CA)	0,9 a 400,0 A	$\pm (1,8\% + 0,3 \text{ A})$	50 a 60 Hz
Tensión alterna (CA)*	1,3 a 600,0 V	$\pm (1,5\% + 0,3 \text{ V})$	50 a 500 Hz
Tensión continua (CC)*	2,1 a 600,0 V	$\pm (1,0\% + 0,2 \text{ V})$	N/A
	-0,7 a -600,0 V	$\pm (1,0\% + 0,4 \text{ V})$	
Resistance**	0 a 999 Ω	$\pm (2,0\% + 4 \Omega)$	N/A
	1,000 a 9,999 k Ω	$\pm (2,0\% + 0,004 \text{ k}\Omega)$	
Verificación de diodos	0,4 a 0,8 V	$\pm (1,0\% + 0,2 \text{ V})$	N/A

* Impedancia de entrada: 4 k Ω nominal a tensiones de hasta 30 V; aumenta con tensiones de aproximadamente 375 k Ω a 600 V

** Tensión de circuito abierto: 1,5 V máximo

Continuidad

Tono encendido: La resistencia del circuito es $\leq 25 \Omega$ (aproximadamente).

Tono apagado: La resistencia del circuito es $\geq 400 \Omega$ (aproximadamente).

Especificaciones

Pantalla: cristal líquido (LCD), resolución de 10.000 puntos

Tamaño máximo del conductor: 27 mm (1,06 pulgadas)

La velocidad de actualización de la pantalla es de 3 segundos para tensión, verificación de diodos y resistencia; 2 segundos para corriente.

Régimen de trabajo (tensión por encima de 30 V):

30 segundos ENCEDIDO (máximo)

2 minutos APAGADO (mínimo)

Apagado automático: luego de aproximadamente 20 minutos

Coefficiente de temperatura: 0,2 x (precisión) por °C menor de 18°C o mayor de 28°C

Categorías de mediciones: Categoría III, 600 V

Condiciones de operación:

Temperatura:

0°C a 30°C (32°F a 86°F), 0% a 80% de humedad relativa

30°C a 40°C (86°F a 104°F), 0% a 75% de humedad relativa

40°C a 50°C (104°F a 122°F), 0% a 45% de humedad relativa

Altura: 2.000 m (6500 pies) máximo

Uso en interiores únicamente

Condiciones de almacenamiento: -20°C a 60°C (-4°F a 140°F),

0 a 80% de humedad relativa

Retire la pila

Grado de contaminación: 2

Pila: pila de 9 voltios (NEDA 1604, JIS 006P o IEC 6F22)

Vida útil de la pila: aproximadamente 250 horas con pila alcalina

Categorías de medición

Las siguientes definiciones proceden de la norma de seguridad internacional sobre la coordinación de aislamientos tal y como se aplica a equipos de medición, control y laboratorio. En las publicaciones IEC 61010-1 y IEC 60664 de la International Electrotechnical Commission (Comisión Electrotécnica Internacional) se detallan más a fondo estas categorías de medición.

Categoría de medición I

Nivel de señal. Equipo electrónico y de telecomunicaciones, o partes del mismo. Como ejemplo pueden citarse los circuitos electrónicos protegidos contra tensiones momentáneas dentro de fotocopiadores y modems.

Categoría de medición II

Nivel local. Aparatos eléctricos, equipo portátil, y los circuitos a los que están conectados. Como ejemplo pueden citarse dispositivos de iluminación, televisores y circuitos de rama larga.

Categoría de medición III

Nivel de distribución. Máquinas instaladas permanentemente y los circuitos a los que están cableados. Como ejemplo pueden citarse sistemas conductores y los paneles del interruptor automático principal del sistema eléctrico de un edificio.

Categoría de medición IV

Nivel de abastecimiento primario. Líneas aéreas y otros sistemas de cable. Como ejemplo pueden citarse cables, medidores, transformadores y cualquier otro equipo exterior perteneciente a la empresa de servicio eléctrico.

Declaración de conformidad

Greenlee Textron Inc. cuenta con certificación conforme a ISO 9001 (2000) para nuestros Sistemas de Gerencia de Calidad.

El instrumento provisto ha sido inspeccionado y/o calibrado mediante el uso de equipo reconocido por el Instituto Nacional de Normas y Tecnologías (National Institute for Standards and Technology [NIST]).

Mantenimiento

ATENCIÓN

Peligro de electrocución:

- No intente reparar estas unidades, ya que contienen piezas que deben recibir mantenimiento por parte de un profesional.
- No exponga la unidad a ambientes de temperatura extrema ni a altos niveles de humedad. Consulte la sección “Especificaciones”.

De no observarse estas precauciones podrían sufrirse lesiones o daños a la unidad.

Cómo reemplazar la pila

ADVERTENCIA

Peligro de electrocución:

Antes de retirar la caja o la tapa del compartimiento de las pilas, retire del circuito los cables de prueba (o la pinza), y apague la unidad.

De no observarse esta advertencia podrían sufrirse graves lesiones o incluso la muerte.

1. Desconecte la unidad del circuito.
2. Retire los tornillos de la tapa del compartimiento de las pilas.
3. Retire la tapa del compartimiento de las pilas.
4. Reemplace la pila. Fijese en la polaridad.
5. Vuelva a colocar la tapa y los tornillos.

Limpieza

Limpie periódicamente la caja utilizando un paño húmedo y detergente suave; no utilice abrasivos ni solventes.

Description

Le contrôleur numérique à pinces CMT-80 de Greenlee est un appareil portable conçu pour mesurer la tension c.a. et c.c., le courant c.a. et la résistance. Il permet également le contrôle de diodes et la vérification de continuité.

Cet appareil détermine automatiquement la fonction de mesure selon l'entrée. Il est doté d'une fonction intelligente de maintien des données avec une alerte audible et visuelle si l'entrée change sensiblement pendant que l'appareil est en mode HOLD (maintien des données). L'appareil s'active automatiquement en mode HOLD lorsque la pince est retirée d'un conducteur pendant la mesure de courant c.a. L'appareil effectue un autocontrôle et affiche approximativement la capacité restante de la pile durant la séquence de mise sous tension. La fonction de mise hors tension automatique peut être désactivée si on le souhaite.

Sécurité

Lors de l'utilisation et de l'entretien des outils et des équipements de Greenlee, votre sécurité est une priorité. Ce manuel d'instructions et toute étiquette sur l'outil fournit des informations permettant d'éviter des dangers ou des manipulations dangereuses liées à l'utilisation de cet outil. Suivre toutes les consignes de sécurité indiquées.

Dessein de ce manuel

Ce manuel d'instructions est conçu pour que le personnel puisse se familiariser avec le fonctionnement et les procédures d'entretien sûres du contrôleur numérique à pinces CMT-80 de Greenlee.

Mettre ce manuel à la disposition de tous les employés.

On peut obtenir des exemplaires gratuits sur simple demande sur le site Web www.greenlee.com.

Garantie à vie limitée

La société Greenlee Textron Inc. garantit à l'acheteur d'origine de ces produits que ces derniers ne comportent aucun défaut d'exécution ou de matériau pour la durée de leur vie utile, sauf l'usure normale. Cette garantie est assujettie aux mêmes conditions que celles contenues dans les modalités et conditions de la garantie limitée standard d'un an de Greenlee Textron Inc.

Pour toutes les réparations d'instruments de mesure, appeler le service après vente au 800 435-0786 et demander une autorisation de retour.

Lorsque les articles ne sont pas protégés par une garantie (comme si l'appareil tombe, s'il est soumis à un usage abusif, etc.), une soumission pour le prix de réparation sera présentée sur demande.

Remarque : Avant de renvoyer un appareil de mesure, veuillez vérifier les piles remplaçables ou vous assurer que la batterie est complètement chargée.

Consignes de sécurité importantes



SYMBOLE D'AVERTISSEMENT

Ce symbole met en garde contre les risques et les manipulations dangereuses pouvant entraîner des blessures ou l'endommagement du matériel. Le mot indicateur, défini ci-dessous, indique la gravité du danger. Le message qui suit le mot indicateur indique comment empêcher le danger.

DANGER

Danger immédiat qui, s'il n'est pas pris en considération ENTRAÎNERA des blessures graves, voire mortelles.

AVERTISSEMENT

Danger qui, s'il n'est pas pris en considération, POURRAIT entraîner des blessures graves, voire mortelles.

ATTENTION

Dangers ou manipulations dangereuses qui, s'ils ne sont pas pris en considération, POURRAIENT EVENTUELLEMENT entraîner des dommages à la propriété ou causer des blessures.



AVERTISSEMENT

Lire attentivement et bien comprendre cette documentation avant d'utiliser ou de procéder à l'entretien de cet équipement. Négliger de comprendre comment utiliser cet outil en toute sécurité pourrait provoquer un accident et entraîner des blessures graves, voire mortelles.



Ne pas se débarrasser de ce produit ou le jeter !

Pour des informations sur le recyclage, visiter www.greenlee.com.

Toutes les spécifications sont nominales et peuvent changer avec l'amélioration de la conception. Greenlee Textron Inc. ne peut être tenue responsable des dommages résultant d'une application inappropriée ou d'un mauvais usage de ses produits.

© Enregistré : La couleur verte des instruments de vérification électrique est une marque de commerce déposée de Greenlee Textron Inc.

CONSERVER CE MANUEL

Consignes de sécurité importantes



⚠️ AVERTISSEMENT

Risques de décharge électrique :

Un contact avec des circuits sous tension pourrait entraîner des blessures graves, voire mortelles.

⚠️ AVERTISSEMENT

Risques de décharge électrique et d'incendie :

- Ne pas exposer cet appareil à la pluie ou à l'humidité.
- Ne pas utiliser cet appareil s'il est mouillé ou endommagé.
- Utiliser des fils d'essai ou des accessoires conformes à l'application. Consulter la catégorie et la tension nominale du fil d'essai ou de l'accessoire.
- Vérifier les fils d'essai ou l'accessoire avant de les utiliser. La pièce (ou les pièces) doi(ven)t être propre(s) et sèche(s) et l'isolation en bon état.
- Utiliser cet appareil uniquement dans le but pour lequel il a été conçu, tel que décrit dans ce manuel. Toute autre utilisation peut altérer le système de protection de cet appareil.

L'inobservation de ces consignes pourrait entraîner des blessures graves, voire mortelles.

⚠️ AVERTISSEMENT

Risques de décharge électrique :

- Ne pas appliquer plus que la tension nominale entre deux bornes d'entrée, ou entre une borne d'entrée et une prise de terre.
- Ne pas entrer en contact avec les extrémités des fils d'essai ou avec toute autre partie non isolée de l'accessoire.

L'inobservation de ces consignes pourrait entraîner des blessures graves, voire mortelles.

Consignes de sécurité importantes

⚠ AVERTISSEMENT

Risques de décharge électrique :

- Ne pas utiliser lorsque la pile ou le boîtier est ouvert.
- Avant d'enlever le boîtier ou le couvercle de la pile, retirer les fils d'essai (ou la pince) du circuit et mettre l'appareil hors tension.

L'inobservation de ces consignes pourrait entraîner des blessures graves, voire mortelles.

⚠ AVERTISSEMENT

Risques de décharge électrique :

- Sauf si l'on mesure la tension ou le courant, mettre hors tension et verrouiller la source d'alimentation. S'assurer que tous les condensateurs sont déchargés. Aucune tension ne doit être présente.
- L'utilisation de cet appareil à proximité d'équipements qui génèrent des interférences électromagnétiques peut produire des lectures instables ou erronées.

L'inobservation de ces consignes pourrait entraîner des blessures graves, voire mortelles.

⚠ ATTENTION

Risques de décharge électrique :

- Ne pas tenter de réparer cet appareil. Il ne comporte aucune pièce pouvant être réparée.
- Ne pas exposer l'appareil à des températures ou à une humidité extrêmes. Se reporter à la section des « Spécifications ».
- Ne pas connecter à de la tension pendant plus de 30 secondes.

L'inobservation de ces consignes pourrait endommager l'appareil et entraîner des blessures.

⚠ ATTENTION

Risques de décharge électrique :

Ne pas utiliser le contrôleur pour mesurer des tensions dans des circuits susceptibles d'être endommagés ou activés par la faible impédance d'entrée du contrôleur (4 k Ω environ).

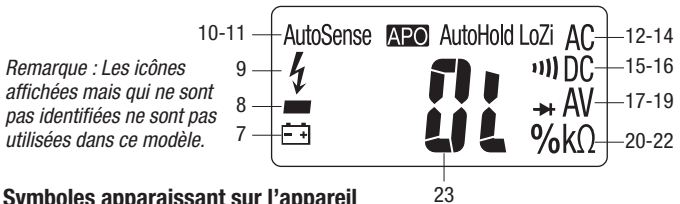
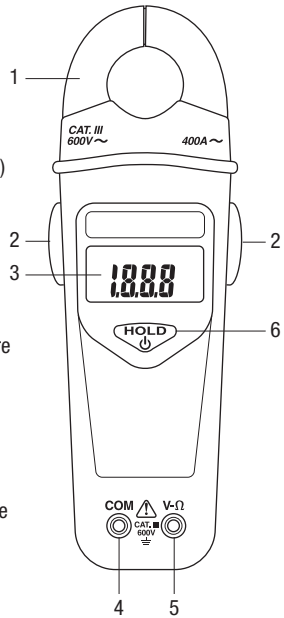
L'inobservation de cette consigne pourrait endommager l'appareil et entraîner des blessures.

Identification

1. Pince
2. Levier
3. Afficheur
4. Borne d'entrée commune (COM)
5. Borne d'entrée de volts ou de résistance (V-Ω)
6. Bouton de mise sous/hors tension/maintien (ON/OFF/HOLD)

Icônes de l'afficheur

7. Indicateur de pile faible
8. Indicateur de polarité
9. La tension mesurée est supérieure à 30 volts c.a. ou c.c.
10. **AutoSense** Sélection automatique activée
11. **APO** La fonction de mise hors tension automatique est activée.
12. **AutoHold** Fonction de maintien activée
13. **LoZi** Faible impédance d'entrée activée
14. **AC** Mesure du c.a. sélectionnée
15. Continuité
16. **DC** Mesure du c.c. sélectionnée
17. Diode
18. **A** Ampères
19. **V** Tension
20. **%** Pourcentage
21. **k** Kilo (10^3)
22. **Ω** Ohms
23. **OL** Indicateur de surcharge



Remarque : Les icônes affichées mais qui ne sont pas identifiées ne sont pas utilisées dans ce modèle.

Symboles apparaissant sur l'appareil

- Avertissement — Lire le manuel d'instructions
- Risques de décharge électrique
- L'application et la dépose de l'appareil autour de conducteurs sous tension dangereux est autorisée.
- Isolation double
- Pile
- Recycler le produit conformément aux directives du fabricant.

Utilisation des fonctions

- **ON/OFF/HOLD (MISE SOUS TENSION/HORS TENSION/MAINTIEN DES DONNÉES)** : Appuyer momentanément sur le bouton ON/OFF/HOLD pour maintenir la mesure actuelle sur l'afficheur; appuyer à nouveau momentanément sur le bouton pour revenir au mode d'affichage normal. Maintenir appuyé pour mettre l'appareil sous tension ou hors tension.
- **Bouton Smart Hold (maintien intelligent des données)** : La fonction Hold est désactivée lorsque s'affiche « OL » sur l'afficheur LCD. L'afficheur LCD clignote et le bip se déclenche si l'appareil est en mode HOLD et si l'entrée augmente de 5 volts ou 5 ampères. Il clignote et s'illumine également si l'appareil se trouve en mode HOLD et détecte une modification dans le type d'entrée, par exemple de volts c.a. à ampères c.a.
- **Bouton Auto Hold (maintien automatique des données (uniquement pour ampères C.A.))** : L'appareil maintient automatiquement une mesure stable de courant c.a. qui est de 3 ampères ou plus. L'appareil émet trois bips pour indiquer que la valeur stable a été enregistrée. La valeur s'affiche pendant 5 secondes lorsque l'appareil est retiré du conducteur. La valeur peut être affichée à nouveau en appuyant sur le bouton HOLD. Pour activer cette fonction, appuyer et maintenir appuyé le bouton ON/OFF/HOLD jusqu'à ce l'icône « AutoHold » clignote lorsque l'appareil est mis sous tension, approximativement 5 secondes.
- **Affichage de la capacité de la pile** : L'appareil affiche le pourcentage de capacité restante de la pile lorsqu'il est mis sous tension. Remplacer la pile lorsque « 0 % » s'affiche.
- **Autocontrôle durant la mise sous tension** : L'appareil automatiquement contrôle ses circuits intérieurs après avoir affiché la capacité de la pile. Si un problème est détecté, sur l'afficheur LCD s'affiche « FAIL » (échec). Ne pas utiliser le contrôleur si « FAIL » s'affiche sur l'afficheur LCD.
Remarque : Ne pas effectuer de mesure lors de la mise sous tension car cela pourrait entraîner un échec d'autocontrôle erroné.
- **Mise hors tension automatique** : Pour prolonger l'autonomie de la pile, l'appareil se met automatiquement hors tension au bout de 20 minutes d'inactivité environ. Pour désactiver cette fonction, appuyer et maintenir appuyé le bouton ON/OFF/HOLD jusqu'à ce l'icône « APO » clignote lorsque l'appareil est mis sous tension, approximativement 3 secondes.

Utilisation

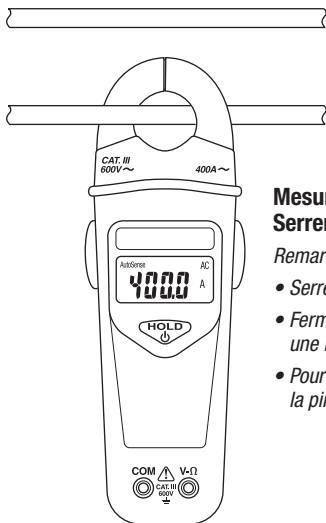
	<h3>⚠️ AVERTISSEMENT</h3>
	<p>Risques de décharge électrique :</p> <p>Un contact avec des circuits sous tension pourrait entraîner des blessures graves, voire mortelles.</p>

1. Le contrôleur sélectionne automatiquement la mesure correcte à partir de la table ci-dessous.

Priorité	Afficheur	Conditions
1	Volts c.a ou c.c., selon la valeur la plus grande	L'entrée aux bornes est de 1,3 à 600,0 V c.a. 2,1 à 600,0 V c.c. -0,7 à -600,0 V c.c.
2	Résistance et continuité	L'entrée aux bornes est de 0 à ∞ Ω 0 à 0,9 V c.a. 1,0 à 2,0 V c.c. -0,2 à -0,4 V c.c.
3	Contrôle de diodes	L'entrée aux bornes est de 0,4 à 0,8 V c.c.
4	Ampères c.a.	Le courant c.a. passant par la pince est de 0,9 à 400,0 A

2. Se reporter aux « Mesures types » pour obtenir des instructions de mesure spécifiques.
3. Vérifier l'appareil sur un circuit ou sur un composant connu, du type que vous prévoyez mesurer.
 - Si l'appareil ne fonctionne pas comme prévu sur un circuit dont le fonctionnement est connu, remplacer la pile.
 - Si l'appareil ne fonctionne toujours pas comme prévu, le renvoyer à Greenlee pour qu'il soit réparé. Se reporter aux instructions de la garantie.
4. Lire le circuit ou le composant à vérifier.

Mesures types



Mesure du courant — Serrer la pince autour du câble

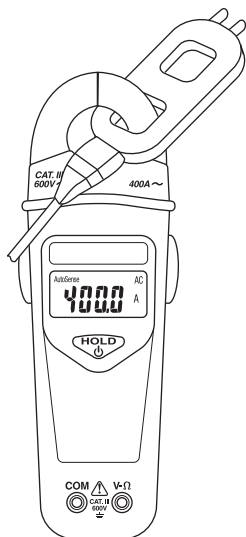
Remarques :

- Serrer la pince autour d'un seul conducteur.
- Fermer complètement la pince pour garantir une mesure exacte.
- Pour plus de précision, centrer le câble dans la pince.

Mesure du courant — Mettre la pince autour d'un séparateur de ligne

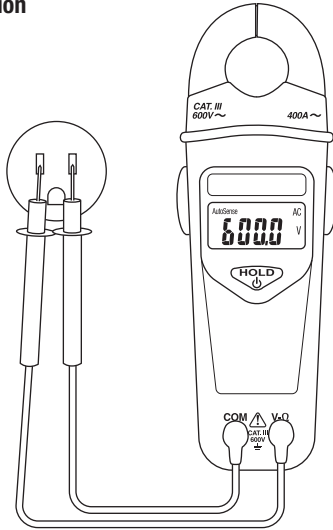
Remarques :

- Le séparateur de ligne 93-30 de Greenlee est divisé. Une section donne des ampères ; l'autre des ampères multipliés par 10.
- Fermer complètement la pince pour garantir une mesure exacte.
- Pour plus de précision, centrer le séparateur de ligne dans la pince.

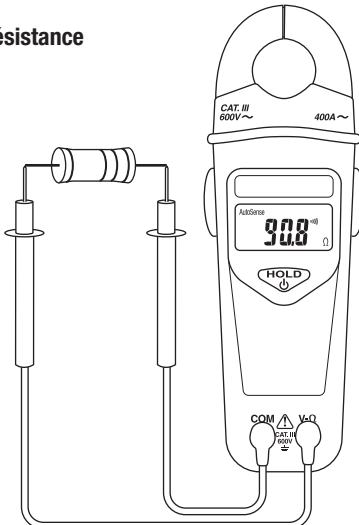


Mesures types

Mesure de la tension

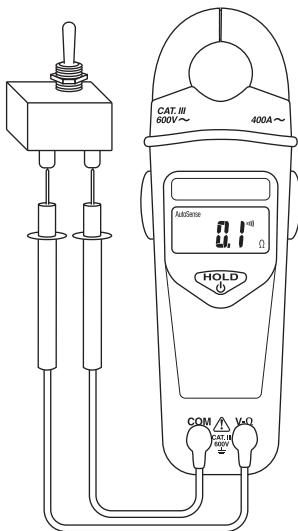


Mesure de la résistance



Mesures types

Vérification de la continuité

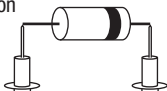


Mesure de diode

Polarisation inverse



Polarisation directe



Précision

Pour obtenir les conditions d'utilisation et les coefficients de température, consulter la section sur les « Spécifications ».

La précision est spécifiée comme suit : \pm (un pourcentage de la lecture + une quantité fixe) à $23\text{ °C} \pm 5\text{ °C}$ ($73,4\text{ °F} \pm 9\text{ °F}$), 0 à 80 % d'humidité relative.

La précision des mesures c.a. est spécifiée pour les facteurs de crête d'entrée qui ne dépassent pas les valeurs du tableau de « Facteur de crête maximum » sur cette page.

Tableau de précision

Caractéristique	Plage	Précision	Plage de fréquence
Courant c.a.	0,9 à 400,0 A	$\pm (1,8\% + 0,3\text{ A})$	50 à 60 Hz
Tension c.a.*	1,3 à 600,0 V	$\pm (1,5\% + 0,3\text{ V})$	50 à 500 Hz
Tension c.c.*	2,1 à 600,0 V	$\pm (1,0\% + 0,2\text{ V})$	N/D
	-0,7 à -600,0 V	$\pm (1,0\% + 0,4\text{ V})$	
Résistance**	0 à 999 Ω	$\pm (2,0\% + 4\ \Omega)$	N/D
	1,000 à 9,999 k Ω	$\pm (2,0\% + 0,004\text{ k}\Omega)$	
Contrôle de diodes	0,4 à 0,8 V	$\pm (1,0\% + 0,2\text{ V})$	N/D

*Impédance d'entrée : 4 k Ω nominale à des tensions pouvant aller jusqu'à 30 V ; augmente avec la tension jusqu'à environ 375 k Ω à 600 V

**Tension du circuit ouvert : 1,5 V maximum

Continuité

Tonalité activée : Résistance de circuit $\leq 25\ \Omega$ (environ).

Tonalité désactivée : Résistance de circuit $\geq 400\ \Omega$ (environ).

Spécifications

Afficheur : Compte de 10 000, cristaux liquides

Taille maximale du conducteur : 27 mm (1,06 po)

La vitesse de mise à jour de l'affichage est de 3 secondes pour la tension, le contrôle de diodes et de résistance; 2 secondes pour le courant.

Durée de mise sous tension (tension supérieure à 30 V) :

30 secondes allumé (maximum)

2 minutes éteint (minimum)

Mise hors tension automatique : Après environ 20 minutes

Coefficient de température : 0,2 x (précision) par °C au-dessous de 18 °C ou au-dessus de 28 °C

Catégories de mesure : Catégorie III, 600 V

Conditions d'utilisation :

Température :

0 à 30 °C (32 À 86 °F), 0 à 80 % d'humidité relative

35 à 40 °C (86 à 104 °F), 0 à 75 % d'humidité relative

40 à 50 °C (104 à 122 °F), 0 à 45 % d'humidité relative

Altitude : 2000 m (6500 pi) maximum

Utilisation à l'intérieur uniquement

Conditions d'entreposage : -20 à 60 °C (-4 à 140 °F),

0 à 80 % d'humidité relative

Enlever la pile

Degré de pollution : 2

Pile : Pile de 9 volts (NEDA 1604, JIS 006P ou IEC 6F22)

Durée de vie de la pile : Approximativement 250 heures avec une pile alcaline

Catégories de mesure

Ces définitions sont dérivées des normes internationales sur la sécurité pour la coordination de l'isolation telle qu'elle s'applique à la mesure, au contrôle et à l'équipement de laboratoire. Ces catégories de mesure sont expliquées plus en détail par la Commission électrotechnique internationale ; se reporter à l'une de ces deux publications : IEC 61010-1 ou IEC 60664.

Catégorie de mesure I

Niveau de signal. Pièces ou équipement électronique et de télécommunication. Par exemple, les circuits électroniques protégés contre les courants transitoires, dans les photocopieurs et les modems.

Catégorie de mesure II

Niveau local. Appareils, équipement portatif et les circuits dans lesquels ils sont branchés. Par exemple, les appareils d'éclairage, les téléviseurs et les dérivations.

Catégorie de mesure III

Niveau de distribution. Les machines installées en permanence et les circuits auxquels elles sont câblées. Par exemple, les systèmes de convoyeurs et les panneaux de disjoncteurs principaux du système électrique d'un édifice.

Catégorie de mesure IV

Niveau d'alimentation principal. Lignes surélevées et autres systèmes de câbles. Par exemple, les câbles, les compteurs, les transformateurs et autres équipements extérieurs appartenant aux fournisseurs en électricité.

Déclaration de conformité

Greenlee Textron Inc. est certifiée selon ISO 9001 (2000) pour nos Systèmes de gestion de la qualité.

L'instrument ci-inclus a été vérifié et/ou étalonné avec des moyens de mesure raccordés aux étalons du National Institute of Standards and Technology (NIST).

Entretien

ATTENTION

Risques de décharge électrique :

- Ne pas tenter de réparer cet appareil. Il ne comporte aucune pièce pouvant être réparée.
- Ne pas exposer l'appareil à des températures extrêmes ou à une humidité excessive. Se reporter à la section des « Spécifications ».

L'inobservation de ces consignes pourrait endommager l'appareil et pourrait entraîner des blessures.

Remplacement de la pile

AVERTISSEMENT

Risques de décharge électrique :

Avant d'enlever le boîtier ou le couvercle de la pile, retirer les fils d'essai (ou la pince) du circuit et mettre l'appareil hors tension.

L'inobservation de cette consigne pourrait entraîner des blessures graves, voire mortelles.

1. Débrancher l'appareil du circuit.
2. Enlever les vis du couvercle du compartiment des piles.
3. Retirer le couvercle du compartiment à pile.
4. Remplacer la pile. Suivre la polarité.
5. Remettre en place le couvercle et les vis.

Nettoyage

Nettoyer régulièrement le boîtier avec un chiffon humide et un détergent doux. Ne pas utiliser de produits abrasifs ou de solvants.