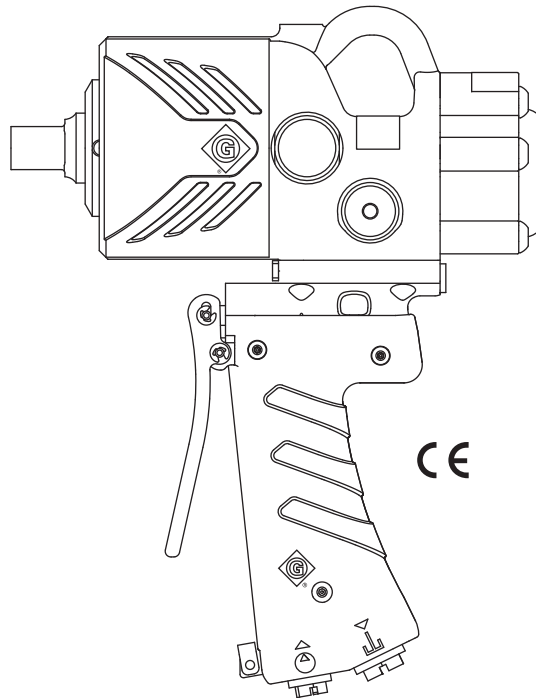


OPERATION MANUAL



Español.....	13
Français.....	25
Deutsch	37
Italiano	49

HW3 Impact Wrench

Serial Code BBF



Read and understand all of the instructions and safety information in this manual before operating or servicing this tool.

Register this product at www.greenlee.com

Table of Contents

Description	2
Safety	2
Purpose of this Manual	2
Other Publications	2
Important Safety Information	3-5
Identification	6
Specifications	7
Setting the Super Spool™	8
Installing and Removing Accessories	8
Hoses and Fittings	9
Typical Setup	9
Hose Connections	9
Setup	10
Operation	10-11
Maintenance	11
Troubleshooting	12
Accessories	12

Description

The Greenlee Utility HW3 Impact Wrench is intended for use with impact-type sockets, screwdriver bits, and wood bits. The operating pressure range is 68.9 to 138 bar (1000 to 2000 psi).

Features include:

- Directional spool for forward or reverse operation
- Insulated handle for operator comfort and safety
- Impact and heat resistant Cool Grip™ handle covers to dissipate heat
- Super Spool™ for use on either open-center or closed-center hydraulic systems
- Pressure-compensated flow control to prevent over-speeding at high flow rates

Safety

Safety is essential in the use and maintenance of Greenlee tools and equipment. This instruction manual and any markings on the tool provide information for avoiding hazards and unsafe practices related to the use of this tool. Observe all of the safety information provided.

Purpose of this Manual

This manual is intended to familiarize all personnel with the safe operation and maintenance procedures for the following Greenlee Utility hydraulic impact wrench:

HW3 Serial Code BBF

Keep this manual available to all personnel.

Replacement manuals are available upon request at no charge at www.greenlee.com.

Other Publications

Tool Owners/Users

SAE Standard J1273 (Hose and Hose Assemblies):
 Publication 99930323

Authorized Greenlee Utility Service Centers

Repair Manual: Publication 52063856

All specifications are nominal and may change as design improvements occur. Greenlee Textron Inc. shall not be liable for damages resulting from misapplication or misuse of its products. Cool Grip and Super Spool are trademarks of Textron Innovations Inc. Super Spool™ is protected by U.S. Patent No. 4548229.

KEEP THIS MANUAL

IMPORTANT SAFETY INFORMATION



**SAFETY
ALERT
SYMBOL**

This symbol is used to call your attention to hazards or unsafe practices which could result in an injury or property damage. The signal word, defined below, indicates the severity of the hazard. The message after the signal word provides information for preventing or avoiding the hazard.

⚠ DANGER

Immediate hazards which, if not avoided, **WILL** result in severe injury or death.

⚠ WARNING

Hazards which, if not avoided, **COULD** result in severe injury or death.

⚠ CAUTION

Hazards or unsafe practices which, if not avoided, **MAY** result in injury or property damage.



⚠ WARNING

Electric shock hazard:

This tool is not insulated. When using this unit near energized electrical lines:

- Use only certified non-conductive hoses and proper personal protective equipment.
- Select and maintain the hydraulic fluid to meet the minimum dielectric standards required by your safety department.

Failure to observe this warning could result in severe injury or death.

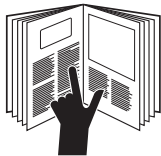


⚠ WARNING

Skin injection hazard:

- Do not use hands to check for leaks.
- Do not hold hose or couplers while the hydraulic system is pressurized.
- Depressurize the hydraulic system before servicing.

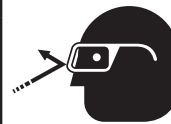
Oil under pressure easily punctures skin causing serious injury, gangrene, or death. If you are injured by escaping oil, seek medical attention immediately.



⚠ WARNING

Read and understand all of the instructions and safety information in this manual before operating or servicing this tool.

Failure to observe this warning could result in severe injury or death.



⚠ WARNING

Wear eye protection when operating or servicing this tool.

Failure to wear eye protection could result in serious eye injury from flying debris or hydraulic oil.



⚠ WARNING

Wear hearing protection when using this tool.

Failure to observe this warning could result in serious injury.

IMPORTANT SAFETY INFORMATION

⚠ WARNING

Some dust created by power sanding, sawing, grinding, drilling, and other construction activities contains chemicals known to the State of California to cause cancer, birth defects or other reproductive harm. Some examples of these chemicals are:

- Lead from lead-based paints
- Crystalline silica from bricks and cement and other masonry products
- Arsenic and chromium from chemically-treated lumber.

To reduce your exposure to these chemicals: work in a well ventilated area, and work with approved safety equipment, such as dust masks that are specially designed to filter out microscopic particles.

⚠ WARNING

- Use accessories that are approved for impact use only. Accessories that are not approved for impact applications can break when used with impact-type tools.
- Inspect accessories before use. Discard accessories that have cracks, chips, or gouges.

Failure to observe this warning could result in severe injury or death.

⚠ WARNING

- Keep all parts of the body away from rotating parts when the tool is in operation. Contact with moving parts can result in severe injury.
- Do not change accessories, inspect, or clean tool when it is connected to a power source. Accidental start-up can result in serious injury.
- Maintain a firm grip on tool, using both hands at all times. Serious injury can result if an operator does not control the tool.
- Do not lock trigger in the power-ON position. Operator can not stop tool when trigger is locked.

Failure to observe these warnings could result in severe injury or death.



⚠ WARNING

Tool and accessory may be hot during and after operation.

Contact with hot surfaces could result in serious injury.

⚠ WARNING

Do not exceed the following hydraulic power source maximums:

- Hydraulic flow: 46 l/min (12 gpm)
- Pressure relief: 138 bar (2000 psi)
- Back pressure: 13.8 bar (200 psi)

Failure to observe this warning could result in severe injury or death.

⚠ WARNING

Do not disconnect tool, hoses, or fittings while the power source is running or if the hydraulic fluid is hot. Hot hydraulic fluid could cause serious burns.

⚠ WARNING

Do not reverse hydraulic flow. Operation with hydraulic flow reversed can cause tool malfunction. Connect the supply (pressure) hose and return (tank) hose to the proper tool ports.

Failure to observe this warning could result in severe injury or death.

IMPORTANT SAFETY INFORMATION

⚠ CAUTION

- Wear protective gloves when handling, removing and installing drill bits. Drill bits can cut even when stationary.
- Inspect tool before use. Replace any worn or damaged parts. A damaged or improperly assembled tool can malfunction, injuring nearby personnel.
- Inspect the hydraulic hoses and couplings every operating day. Repair or replace if leakage, cracking, wear, or damage is evident. Damaged hoses or couplings can fail, resulting in injury or property damage.
- Use this tool for manufacturer's intended use only. Use other than that which is described in this manual could result in injury or property damage.
- Make sure all bystanders are clear of the work area when handling, starting, and operating the tool. Nearby personnel can be injured by flying parts in the event of a tool malfunction.

⚠ CAUTION

Prolonged exposure to vibration or very repetitive hand and arm movements may cause injury. Stop using any tool if discomfort, tingling feeling, or pain occurs. Consult a physician before resuming use of the tool.

IMPORTANT

Procedure for connecting or disconnecting hydraulic hoses, fittings, or components:

1. Move the flow lever on the hydraulic power source to the OFF position.
2. Stop the hydraulic power source.
3. Follow the sequence under "Hose Connections" to prevent pressure buildup. In case some pressure has built up, loosen hoses, fittings, or components slowly.

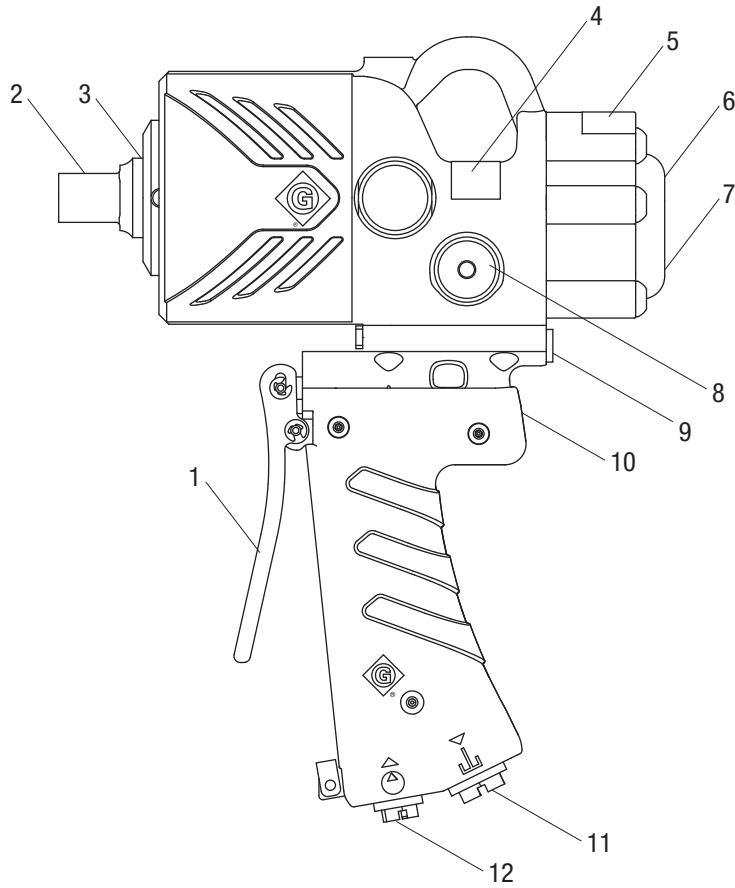
IMPORTANT

Emergency stop procedure:

1. Release the trigger.
2. Shut off the hydraulic power source.

Note: Keep all decals clean and legible, and replace when necessary.

Identification



- | | |
|----------------------|-------------------------|
| 1. Trigger | 7. Serial Number |
| 2. 3/4" Square Chuck | 8. Directional Spool |
| 3. Drive Shank | 9. Flow Control |
| 4. Directional Decal | 10. OC/CC Trigger Spool |
| 5. Warning Decal | 11. Return (Tank) Port |
| 6. Motor Cap | 12. Pressure Port |

Specifications

Impact Wrench

Type of Hydraulic System.....	Open-center or closed-center
Hydraulic Pressure Port...	9/16–18 UNF SAE O-ring Boss
Hydraulic Return Port.....	3/4–16 UNF SAE O-ring Boss
Output @ 30.3 l/min (8 gpm)	
RPM (no load)	2800
Impacts per Minute (no load)	1300
Torque @ 37.8 l/min (10 gpm).....	1742 Nm (1285 ft-lb)
Drive Size	3/4" square drive
Vibration Level.....	15.3 m/s ²
Noise Level.....	120 Lwa
Mass/Weight.....	4.76 kg (10.5 lb)
Length	236 mm (9.3")
Width	107 mm (4.2")
Height.....	300 mm (11.8")

Hydraulic Power Source

⚠ WARNING

Do not exceed the following hydraulic power source maximums:

- Hydraulic flow: 46 l/min (12 gpm)
- Pressure relief: 138 bar (2000 psi)
- Back pressure: 13.8 bar (200 psi)

Failure to observe this warning could result in severe injury or death.

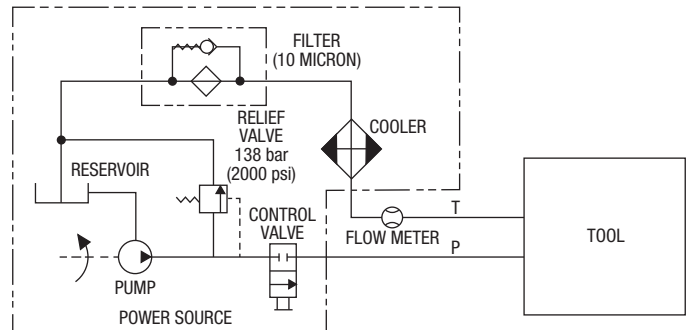
Type of Hydraulic System.....	Open-center or closed-center
Flow	
Minimum	15.1 l/min (4 gpm)
Recommended.....	18.9 to 30.3 l/min (5 to 8 gpm)
Maximum	46 l/min (12 gpm)
Filtration.....	10 Micron (nominal)
Pressure Relief Setting	138 bar (2000 psi)
Back Pressure (maximum*)	13.8 bar (200 psi)

* 13.8 bar (200 psi) is the maximum agreed standard back pressure for the HTMA (Hydraulic Tool Manufacturers Association). Greenlee Utility tool will operate satisfactorily at this standard.

Hydraulic Power Source (cont'd)

1. Maximum hydraulic fluid temperature must not exceed 60 °C (140 °F). A sufficient oil cooling capacity is needed to limit the hydraulic fluid temperature.
2. Hydraulic flow must not exceed 46 l/min (12 gpm). Install a flow meter in the return line to measure the rate of hydraulic flow before using the tool.
3. Pressure relief valve setting must not exceed 138 bar (2000 psi) at your tool's maximum flow. Locate the pressure relief valve in the supply circuit to limit excessive hydraulic pressure to the tool.

Hydraulic Schematic



Recommended Hydraulic Fluids

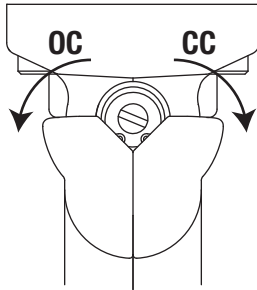
Use any non-detergent, petroleum-based hydraulic fluid which meets the following specifications or HTMA specifications.

S.U.S. @	
38 °C (100 °F).....	140 to 225
99 °C (210 °F).....	40 minimum
Flash Point.....	170 °C (340 °F) minimum
Pour Point.....	-34 °C (-30 °F) minimum

Setting the Super Spool™

The Super Spool allows the tool to be used with either open-center or closed-center hydraulic systems.

1. Insert a screwdriver into the spool recess.
2. If using:
 - Open-center hydraulic system, turn the Super Spool counterclockwise until it stops.
 - Closed-center hydraulic system, turn the Super Spool clockwise until it stops.



Installing and Removing Accessories

⚠ WARNING

- Use accessories that are approved for impact use only. Accessories that are not approved for impact applications can break when used with impact-type tools.
- Inspect accessories before use. Discard accessories that have cracks, chips, or gouges.

Failure to observe this warning could result in severe injury or death.

Impact Bits and Screwdriver Bits

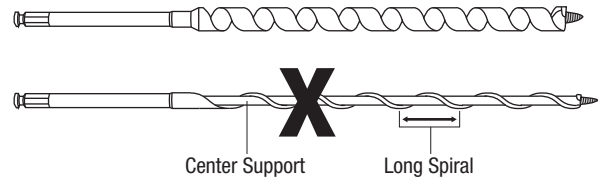
Greenlee Utility recommends using Greenlee impact-style bits.

⚠ WARNING

Some bits may whip or bend under sideload.

- Do not use bits with a long spiral and center support.
- When using an impact bit, run the power source at minimum flow.

Failure to observe these warnings could result in severe injury or death.



1. Inspect the quick change chuck, if equipped. Remove any dirt or other contamination.
2. Slide and hold the chuck away from the tool and remove the adapter.
3. Insert the drill bit into the tool and release the chuck.
4. To remove the drill bit, slide and hold the chuck away from the tool and remove the bit.

Hoses and Fittings

Installation and Maintenance

Refer to publication 99930323, SAE J1273 (Hose and Hose Assemblies).

Replacement

Refer to a Greenlee Utility catalog or publication 99910322, Low Pressure Quick Couplers, Adapters and Hoses.

⚠ WARNING

Do not disconnect tool, hoses, or fittings while the power source is running or if the hydraulic fluid is hot. Hot hydraulic fluid could cause serious burns.

Hose Connections

Tool Port Identification

Match the markings on your tool to this table.

Pressure Port	Return Port
P	T
or	
▲	⏏

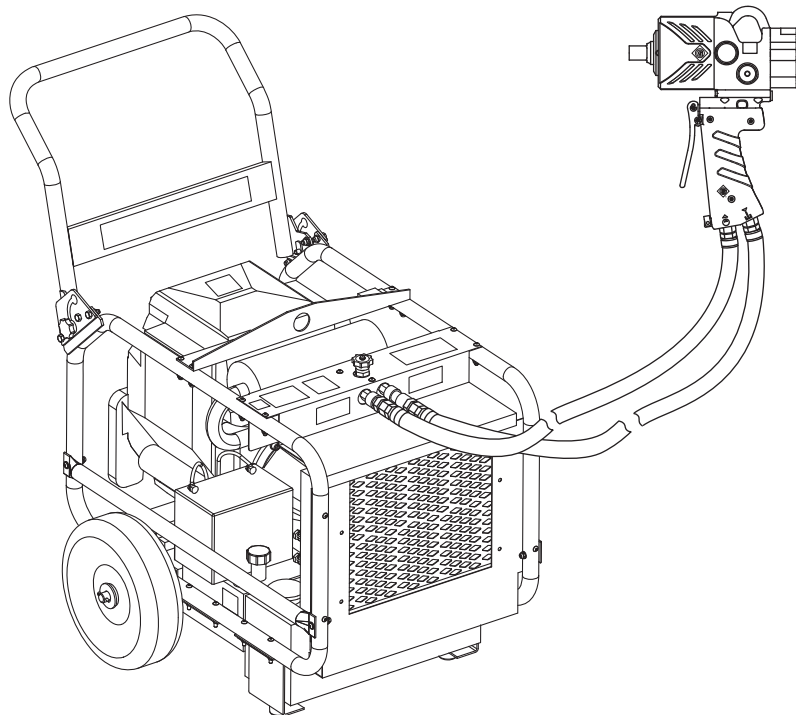
Connecting Hoses

1. Move the flow lever on the hydraulic power source to the OFF position.
2. Stop the hydraulic power source.
3. Connect the return hose to the return port on the hydraulic power source, and then to the return port on the tool.
4. Connect the pressure hose to the pressure port on the tool, then to the pressure port on the hydraulic power source.

Disconnecting Hoses

1. Move the flow lever on the hydraulic power source to the OFF position.
2. Stop the hydraulic power source.
3. Disconnect the pressure hose from the hydraulic power source, and then from the tool.
4. Disconnect the return hose from the tool, and then from the hydraulic power source.
5. Install dust caps over the ports to prevent contamination.

Typical Setup



Setup

⚠ WARNING

Do not exceed the following hydraulic power source maximums:

- Hydraulic flow: 46 l/min (12 gpm)
- Pressure relief: 138 bar (2000 psi)
- Back pressure: 13.8 bar (200 psi)

Failure to observe this warning could result in severe injury or death.

⚠ WARNING

Do not reverse hydraulic flow. Operation with hydraulic flow reversed can cause tool malfunction. Connect the supply (pressure) hose and return (tank) hose to the proper tool ports.

Failure to observe this warning could result in severe injury or death.

1. Stop the hydraulic power source.
2. Install an accessory according to the instructions under "Installing and Removing Accessories."
3. Connect the tool to the power source according to the instructions under "Hose Connections."

Operation

⚠ WARNING



Electric shock hazard:

This tool is not insulated. When using this unit near energized electrical lines:

- Use only certified non-conductive hoses and proper personal protective equipment.
- Select and maintain the hydraulic fluid to meet the minimum dielectric standards required by your safety department.

Failure to observe this warning could result in severe injury or death.

⚠ WARNING



Skin injection hazard:

- Do not use hands to check for leaks.
- Do not hold hose or couplers while the hydraulic system is pressurized.
- Depressurize the hydraulic system before servicing.

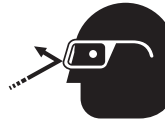
Oil under pressure easily punctures skin causing serious injury, gangrene, or death. If you are injured by escaping oil, seek medical attention immediately.

⚠ WARNING

Do not change accessories, inspect or clean tool when it is connected to a power source. Accidental start-up can result in serious injury.

Failure to observe this warning could result in severe injury or death.

⚠ WARNING



Wear eye protection when operating or servicing this tool.

Failure to wear eye protection could result in serious eye injury from flying debris or hydraulic oil.

IMPORTANT

Emergency stop procedure:

1. Release the trigger.
2. Shut off the hydraulic power source.

Operation (cont'd)

1. Start the power source.
Note: Allow the power source to run for a few minutes to warm the hydraulic fluid.
2. Set the directional spool to the appropriate position (forward or reverse).


⚠ CAUTION

Do not change the position of the directional spool while the tool is operating. Allow the tool to stop before changing direction.

Failure to observe this precaution can result in property damage.

3. Grasp the handle. Place your other hand on the top of the tool or on the auxiliary handle. This will allow you to apply leverage while operating the tool.
4. To start the tool, squeeze the trigger.
If 5 seconds of impacting does not loosen a bolt, nut, etc., stop impacting and use some other method of removal. Continued impacting will cause severe wear on the impact mechanism.
5. To stop the tool, release the trigger.
6. When the tool is not in use, stop the power source to reduce heat and wear on tool components.

Maintenance

	⚠ WARNING
	<p>Wear eye protection when operating or servicing this tool.</p> <p>Failure to wear eye protection could result in serious eye injury from flying debris or hydraulic oil.</p>

⚠ WARNING

Do not change accessories, inspect, or clean tool when it is connected to a power source. Accidental start-up can result in serious injury.

Failure to observe this warning could result in severe injury or death.

Use this maintenance schedule to maximize the tool's service life.

Note:

- *Keep all decals clean and legible, and replace when necessary.*
- *When disposing of any components (hydraulic hoses, hydraulic fluid, worn parts, etc.), do so in accordance with federal, state, and local laws or ordinances.*

Daily

1. Wipe all tool surfaces clean.
2. Inspect the hydraulic hoses and fittings for signs of leaks, cracks, wear, or damage. Replace if necessary.
3. Install dust caps over the hydraulic ports when the tool is disconnected.

Monthly

Perform a thorough inspection of the hydraulic hoses and fittings as described in publication 99930323, SAE J1273 (Hose and Hose Assemblies).

Troubleshooting

Before troubleshooting, determine whether the problem is in the tool, the hoses, or the power source. Substitute a tool, hoses, or power source known to be in good working order to identify the item that is not operating.

If the problem is in the tool, see the troubleshooting table below. If the problem is in the power source, see the troubleshooting section of the power source instruction manual.

Problem	Probable Cause	Probable Remedy
Tool does not operate.	Improper power source.	Refer to "Specifications." Verify that the power source meets the specifications.
	Hydraulic fluid level low.	Check the fluid level. Check system for leaks.
	Incorrect hydraulic fluid viscosity.	Refer to "Recommended Hydraulic Fluids" in the "Specifications" section.
Tool operates slowly or erratically.	Hydraulic fluid cold.	Allow fluid to warm to the operating temperature. Actuate the tool intermittently to reduce the warming time.
	Hose connections at tool reversed.	Depressurize hydraulic system. Switch the hose connections.
	Power source not adjusted correctly.	Refer to the power source operator's manual for setting the flow and pressure. Set the flow and pressure to correspond with the tool.
	Air in the hydraulic system.	Refer to the power source manufacturer's instructions for removing air from the system.
	Incorrect hydraulic fluid viscosity.	Refer to "Recommended Hydraulic Fluids" in the "Specifications" section.
Tool feels hot.	Hydraulic fluid level low.	Check the fluid level. Check system for leaks.
	Incorrect hydraulic fluid viscosity.	Refer to "Recommended Hydraulic Fluids" in the "Specifications" section.
	Hydraulic fluid dirty.	Drain reservoir, flush, and fill with clean fluid. Change filter.

Accessories

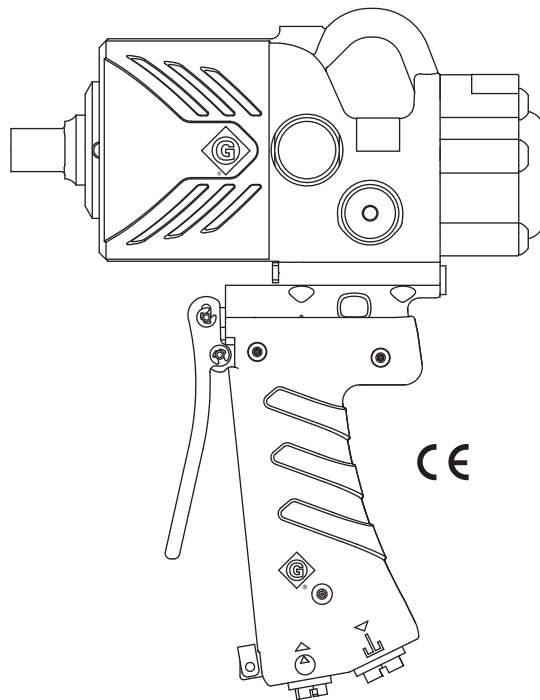
Adapters, impact bits, and sockets are available through your Greenlee Utility distributor. For a complete list of accessories, refer to our catalog or visit our web site at www.greenlee.com.



4455 Boeing Drive • Rockford, IL 61109-2988 • USA • 815-397-7070
 An ISO 9001 Company • Greenlee Textron Inc. is a subsidiary of Textron Inc.

USA	Canada	International
Tel: 800-435-0786	Tel: 800-435-0786	Tel: +1-815-397-7070
Fax: 800-451-2632	Fax: 800-524-2853	Fax: +1-815-397-9247
www.greenlee.com		

MANUAL DE OPERACIÓN



Llave de percusión HW3

Código de serie BBF



Lea y entienda todas las instrucciones y la información sobre seguridad que aparecen en este manual, antes de manejar esta herramienta o darle mantenimiento.

Registre este producto en www.greenlee.com

Índice

Descripción	14
Acerca de la seguridad.....	14
Propósito de este manual	14
Otras publicaciones	14
Importante información sobre seguridad	15-17
Identificación	18
Especificaciones	19
Montaje del Super Spool™	20
Montaje y desmontaje de accesorios	20
Mangueras y accesorios	21
Conexión de las mangueras.....	21
Modelo de instalación	21
Instalación	22
Operación.....	22-23
Mantenimiento.....	23
Solución de problemas	24
Accesorios.....	24

Descripción

La llave de percusión HW3 de Greenlee Utility ha sido diseñada para utilizarse con casquillos, puntas de destornilladores y brocas para madera de percusión. La escala de presión de funcionamiento es 68,9 a 138 bar (1000 a 2000 psi).

Sus características incluyen lo siguiente:

- Bobina direccional para funcionamiento de avance o en reversa
- Empuñadura aislada para la comodidad y seguridad del operador
- Protecciones para empuñadura Cool Grip™ resistentes a los impactos y al calor para disipar el calor
- Super Spool™ para el uso en sistemas hidráulicos de circuito abierto o de circuito cerrado
- Control de flujo con compensación de presión para prevenir la sobrevelocidad a altas tasas de flujo

Acerca de la seguridad

Es fundamental observar métodos seguros al utilizar y dar mantenimiento a las herramientas y equipo Greenlee. Este manual de instrucciones y todas las marcas que ostenta la herramienta le ofrecen la información necesaria para evitar riesgos y hábitos poco seguros relacionados con su uso. Siga toda la información sobre seguridad que se proporciona.

Propósito de este manual

Este manual tiene como propósito familiarizar a todo el personal con los procedimientos de operación y mantenimiento seguros para la siguiente llave hidráulica de percusión de Greenlee Utility:

HW3 Código de serie BBF

Manténgalo siempre al alcance de todo el personal.

Puede obtener copias adicionales de manera gratuita, previa solicitud en www.greenlee.com.

Otras publicaciones

Para propietarios o usuarios

Norma SAE J1273 (Manguera y conjuntos de mangueras): Publicación 99930323

Centros de Servicio Autorizado Greenlee Utility

Manual de Reparación: Publicación 52063856

Todas las especificaciones son nominales y pueden cambiar conforme tengan lugar mejoras de diseño. Greenlee Textron Inc. no se hace responsable de los daños que puedan surgir de la mala aplicación o mal uso de sus productos.

Cool Grip y Super Spool son marcas de Textron Innovations Inc.

Super Spool está protegido por la patente estadounidense No. 4548229.

CONSERVE ESTE MANUAL

IMPORTANTE INFORMACIÓN SOBRE SEGURIDAD



SÍMBOLO DE ALERTA SOBRE SEGURIDAD

Este símbolo se utiliza para indicar un riesgo o práctica poco segura que podría ocasionar lesiones o daños materiales. Cada uno de los siguientes términos denota la gravedad del riesgo. El mensaje que sigue a dichos términos le indica cómo puede evitar o prevenir dicho riesgo.

⚠ PELIGRO

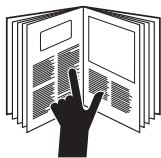
Peligros inmediatos que, de no evitarse, OCASIONARÁN graves lesiones o incluso la muerte.

⚠ ADVERTENCIA

Peligros que, de no evitarse, PODRÍAN OCASIONAR graves lesiones o incluso la muerte.

⚠ ATENCIÓN

Peligro o prácticas peligrosas que, de no evitarse, PUEDEN OCASIONAR lesiones o daños materiales.



⚠ ADVERTENCIA

Lea y entienda todas las instrucciones y la información sobre seguridad que aparecen en este manual, antes de manejar esta herramienta o darle mantenimiento.

De no observarse esta advertencia podrían sufrirse graves lesiones o incluso la muerte.



⚠ ADVERTENCIA

Peligro de electrocución:

Esta herramienta no está aislada. Al utilizar esta unidad cerca de líneas eléctricas energizadas:

- Utilice únicamente mangueras no conductivas aprobadas y equipo de protección personal adecuado.
- Seleccione siempre un líquido para aparatos hidráulicos, que cumpla con los estándares dieléctricos mínimos exigidos por su departamento de seguridad, y manténgalo al nivel adecuado.

De no observarse esta advertencia podrían sufrirse graves lesiones o incluso la muerte.

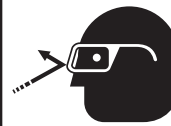


⚠ ADVERTENCIA

Peligro de inyección cutánea:

- No use las manos para localizar fugas.
- No toque la manguera ni los acopladores mientras el sistema hidráulico se encuentre presurizado.
- Purgue la presión en el sistema hidráulico antes de darle mantenimiento.

El aceite bajo presión punza la piel fácilmente provocando graves lesiones, gangrena o la muerte. Si se lesiona debido a una fuga de aceite, solicite atención médica de inmediato.



⚠ ADVERTENCIA

Utilice protectores para ojos al manejar o darle mantenimiento a esta herramienta.

De no utilizar protectores para ojos podría sufrir graves lesiones oculares ocasionadas si el aceite para aparatos hidráulicos, o restos de materiales llegan a saltar.


IMPORTANTE INFORMACIÓN SOBRE SEGURIDAD

	⚠️ ADVERTENCIA
	<p>Al manejar esta herramienta utilice protección auditiva.</p> <p>De no observarse esta advertencia podrían sufrirse lesiones graves.</p>

⚠️ ADVERTENCIA
<p>Algunos polvos generados por el lijado, aserrado, amolado, taladrado con herramienta eléctrica y otras actividades de construcción contienen sustancias químicas que el Estado de California conoce como causantes de cáncer, defectos congénitos u otros daños al sistema reproductor. Algunos ejemplos de estos químicos son los siguientes:</p> <ul style="list-style-type: none"> • Plomo de las pinturas con base de plomo • Sílice cristalina de los ladrillos y cementos, y de otros productos de mampostería • Arsénico y cromo de la madera tratada químicamente. <p>A fin de reducir su exposición a estas sustancias químicas: trabaje en un área bien ventilada, y trabaje con equipo de seguridad apropiado, tal como mascarillas contra polvo que están diseñadas especialmente para filtrar partículas microscópicas.</p>

⚠️ ADVERTENCIA
<ul style="list-style-type: none"> • Utilice únicamente accesorios aprobados para aplicaciones donde sea necesaria la fuerza por percusión. Los accesorios que no han sido aprobados para este tipo de aplicaciones se pueden quebrar al utilizarse con herramientas de percusión. • Revise minuciosamente los accesorios antes de utilizarlos. Deseche aquellos que presenten grietas, desportilladuras o mellas. <p>De no observarse esta advertencia podrían sufrirse graves lesiones o incluso la muerte.</p>

⚠️ ADVERTENCIA
<ul style="list-style-type: none"> • Mantenga todas las partes del cuerpo alejadas de las piezas giratorias siempre que la herramienta esté en funcionamiento. El contacto con las piezas en movimiento puede ocasionar graves lesiones. • No cambie accesorios ni inspeccione o limpie la herramienta mientras esté conectada a una fuente de potencia. Si se activa accidentalmente, podría ocasionar graves lesiones. • Siempre sostenga la herramienta firmemente con ambas manos. Si pierde el control de la unidad podría ocasionar graves lesiones. • No trabe el gatillo en la posición "ON". El operador no podrá detener la herramienta si se encuentra trabada en dicha posición. <p>De no observarse estas advertencias podrían sufrirse lesiones graves o incluso la muerte.</p>

	⚠️ ADVERTENCIA
	<p>Tanto la herramienta como los accesorios pueden alcanzar temperaturas sumamente altas mientras están en operación o incluso una vez que han sido apagados.</p> <p>El contacto con superficies calientes podría producir lesiones graves.</p>

⚠️ ADVERTENCIA
<p>No exceda los máximos especificados a continuación para la fuente de potencia hidráulica:</p> <ul style="list-style-type: none"> • Gasto hidráulico: 46 l/min • Presión de seguridad: 138 bar • Contrapresión: 13,8 bar <p>De no observarse esta advertencia podrían sufrirse graves lesiones o incluso la muerte.</p>

⚠️ ADVERTENCIA
<p>No desconecte la herramienta, ni las mangueras o accesorios mientras la fuente de energía esté encendida o el líquido hidráulico esté caliente. El líquido hidráulico caliente podría ocasionar quemaduras graves.</p>

IMPORTANTE INFORMACIÓN SOBRE SEGURIDAD

⚠ ADVERTENCIA

No invierta el gasto hidráulico. Operar la herramienta con el gasto invertido ocasionará un funcionamiento inadecuado. Conecte las mangueras de suministro (presión) y la de retorno (tanque), en los orificios correspondientes en la herramienta.

De no observarse esta advertencia podrían sufrirse graves lesiones o incluso la muerte.

⚠ ATENCIÓN

- Utilice guantes protectores al manipular, retirar o colocar las brocas; éstas pueden cortar incluso cuando no están en movimiento.
- Revise la herramienta antes de utilizarla. Reemplace cualquier pieza desgastada o dañada. Una herramienta dañada o montada de manera incorrecta tendrá un funcionamiento errático y puede lesionar al personal que se encuentre en el área.
- Revise minuciosamente las mangueras hidráulicas y los acoplamientos cada vez que vaya a utilizar la herramienta. Repárelos o reemplácelos si presentan fugas, grietas, desgaste o daños evidentes. Las mangueras y acoplamientos averiados pueden fallar y ocasionar lesiones o daños materiales.
- Utilice la herramienta únicamente para el uso para el que ha sido diseñada por el fabricante. Si se utiliza una manera distinta a la descrita en este manual puede ocasionarse lesiones o daños materiales.
- Asegúrese de que no haya circunstancias en el área de trabajo al manipular la herramienta, ponerla en funcionamiento o manejarla. El personal del área podría sufrir lesiones si alguna pieza saliera disparada al haber un desperfecto de la herramienta.

⚠ ATENCIÓN

La exposición prolongada a la vibración o movimientos muy repetidos de manos y brazos puede causar lesiones. Detenga el uso de cualquier herramienta si siente incomodidad, hormigueo o dolor. Consulte a un médico antes de reanudar el uso de la herramienta.

IMPORTANTE

Procedimiento para conectar o desconectar las mangueras, accesorios o demás componentes hidráulicos:

1. Coloque la palanca de gasto –ubicada en la fuente de potencia hidráulica– en la posición de apagado (OFF).
2. Apague la fuente de potencia hidráulica.
3. Siga la secuencia detallada en “Conexión de las mangueras” a fin de evitar una acumulación de presión. En caso de que esto ocurra, afloje lentamente las mangueras, los accesorios o los componentes.

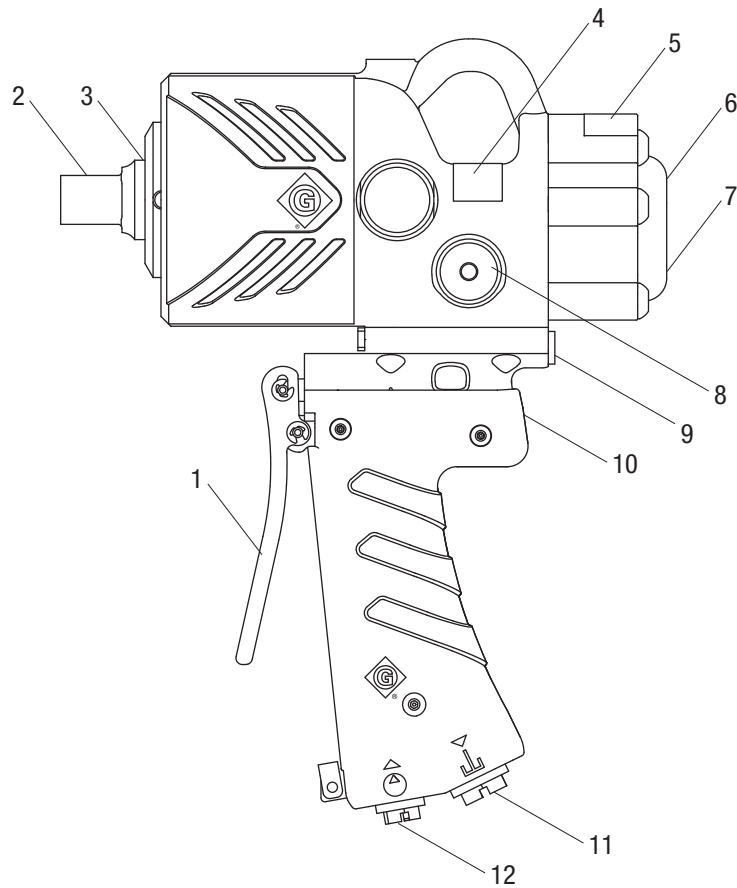
IMPORTANTE

Procedimiento de apagado de emergencia:

1. Suelte el gatillo.
2. Apague la fuente de potencia hidráulica.

Aviso: Mantenga limpias y legibles todas las calcomanías y reemplácelas cuando sea necesario.

Identificación



- | | |
|--------------------------------------|--|
| 1. Gatillo | 7. Número de serie |
| 2. Portabrocas cuadrado de 3/4 pulg. | 8. Bobina direccional |
| 3. Espiga motriz | 9. Control de flujo |
| 4. Calcomanía de la dirección | 10. Carrete con accionador de circuito abierto o de circuito cerrado (OC/CC) |
| 5. Calcomanía de advertencia | 11. Orificio de retorno (tanque) |
| 6. Tapa del motor | 12. Orificio de presión |

Especificaciones

Llaves hidráulica de percusión

Tipo de sistema hidráulico	Circuito abierto o Circuito cerrado
Orificio de presión hidráulica.....	9/16–18 UNF SAE, Aro tórico Boss
Orificio de retorno hidráulico.....	3/4–16 UNF SAE, Aro tórico Boss
Salida @ 30,3 l/min	
RPM (sin carga).....	2.800
Percusiones por minuto (sin carga).....	1.300
Par de torsión @ 37,8 l/min	1742 Nm
Tamaño del accionamiento	Accionamiento cuadrado de 3/4 pulg.
Nivel de vibración.....	15,3 m/s ²
Nivel de ruido	120 Lwa
Masa/Peso	4,76 kg
Largo	236 mm
Ancho	107 mm
Altura	300 mm

Fuente de potencia hidráulica

⚠ ADVERTENCIA

No exceda los máximos especificados a continuación para la fuente de potencia hidráulica:

- Gasto hidráulico: 46 l/min
- Presión de seguridad: 138 bar
- Contrapresión: 13,8 bar

De no observarse esta advertencia podrían sufrirse graves lesiones o incluso la muerte.

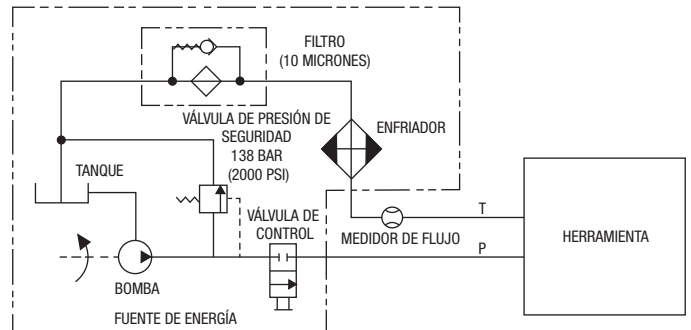
Tipo de sistema hidráulico	Circuito abierto o Circuito cerrado
Gasto	
Mínimo	15,1 l/min
Recomendado.....	18,9 a 30,3 l/min
Máximo	46 l/min
Filtración.....	10 micrones (régimen)
Ajuste de la presión de seguridad.....	138 bar
Contrapresión (máxima*).....	13,8 bar

* 13,8 bar es la contrapresión máxima acordada bajo las normas de la HTMA (Hydraulic Tool Manufacturers Association o Asociación de Fabricantes de Herramientas Hidráulicas). La herramienta Greenlee Utility funcionará de manera satisfactoria según estas normas.

Fuente de potencia hidráulica (continuación)

1. La temperatura máxima del líquido para aparatos hidráulicos no debe exceder 60°C. Es indispensable contar con suficiente capacidad de enfriamiento del aceite, a fin de controlar la temperatura del líquido para aparatos hidráulicos.
2. El gasto hidráulico no debe exceder 46 l/min. Instale un medidor de gasto en la línea de retorno para medir la velocidad del gasto hidráulico antes de utilizar la herramienta.
3. El ajuste de la válvula de presión de seguridad no debe sobrepasar 138 bar al gasto máximo de su herramienta. Localice la válvula de presión de seguridad en el circuito de suministro para limitar un exceso de presión hidráulica a la herramienta.

Diagrama hidráulico



Líquidos recomendados para aparatos hidráulicos

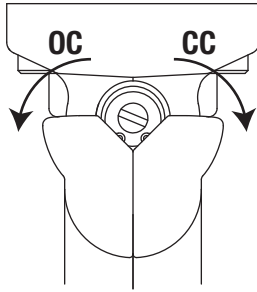
Utilice un líquido para aparatos hidráulicos, sin detergente, con base de petróleo y que cumpla con las siguientes especificaciones de la HTMA.

S.U.S. @	
38°C	140 a 225
99°C	40 mínimo
Punto de inflamación.....	170°C mínimo
Punto de temperatura de descongelación	-34°C mínimo

Montaje del Super Spool™

El Super Spool permite que la herramienta pueda utilizarse tanto en sistemas hidráulicos de circuito abierto como de circuito cerrado.

1. Introduzca un destornillador en la ranura de la bobina.
2. Si está utilizando:
 - un sistema hidráulico de circuito abierto, gire el Super Spool en sentido contrario a las manillas del reloj hasta que tope.
 - un sistema hidráulico de circuito cerrado, gire el Super Spool en el sentido de las manillas del reloj hasta que tope.



Montaje y desmontaje de accesorios

⚠ADVERTENCIA

- Utilice únicamente accesorios aprobados para aplicaciones donde sea necesaria la fuerza por percusión. Los accesorios que no han sido aprobados para este tipo de aplicaciones se pueden quebrar al utilizarse con herramientas de percusión.
- Revise minuciosamente los accesorios antes de utilizarlos. Deseche aquellos que presenten grietas, desportilladuras o mellas.

De no observarse esta advertencia podrían sufrirse graves lesiones o incluso la muerte.

Brocas de percusión y Puntas de destornilladores

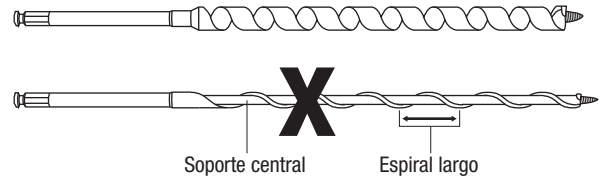
Greenlee Utility recomienda el uso de las brocas de percusión Greenlee.

⚠ADVERTENCIA

Es posible que algunos tipos de brocas se doblen o latigueen cuando sean sometidas a cargas laterales.

- No utilice brocas con un espiral largo y soporte central.
- Cuando utilice brocas de percusión, establezca la energía a un flujo mínimo.

De no observarse estas advertencias podrían sufrirse lesiones graves o incluso la muerte.



1. Inspeccione el portabrocas de cambio rápido, de estar incluido. Remueva cualquier rastro de polvo o contaminación.
2. Deslice y mantenga el portabrocas alejado de la herramienta y extraiga el adaptador.
3. Introduzca la broca en la herramienta y suelte el portabrocas.
4. Para extraer la broca, deslice y mantenga el portabrocas alejado de la herramienta y extraiga la broca.

Mangueras y accesorios

Instalación y mantenimiento

Consulte la publicación 99930323, SAE J1273 (Manguera y conjuntos de mangueras).

Reemplazo

Consulte el catálogo Greenlee Utility o la publicación 99910322, "Mangueras, adaptadores y acopladores de montaje rápido para presión baja".

⚠️ ADVERTENCIA

No desconecte la herramienta, ni las mangueras o accesorios mientras la fuente de energía esté encendida o el líquido hidráulico esté caliente. El líquido hidráulico caliente podría ocasionar quemaduras graves.

Conexión de las mangueras

Identificación de los orificios de la herramienta

Compare las marcas en su herramienta con lo indicado en esta tabla.

Orificio de presión	Orificio de retorno
P	T
o	
▲	⊥

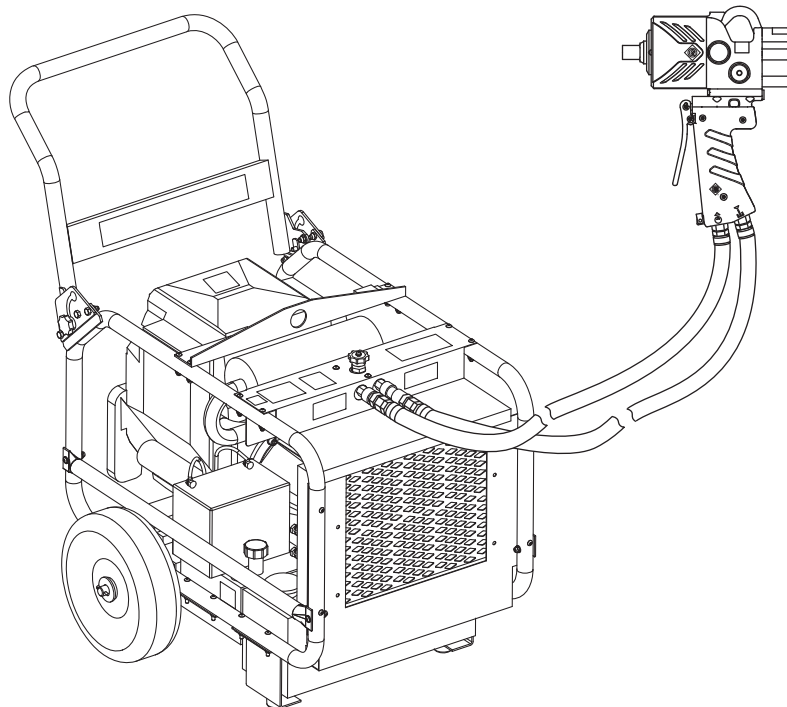
Conexión de las mangueras

1. Coloque la palanca de gasto –ubicada en la fuente de potencia hidráulica– en la posición de apagado (OFF).
2. Apague la fuente de potencia hidráulica.
3. Conecte la manguera de retorno al orificio de retorno –ubicado en la fuente de potencia hidráulica– y enseguida, al orificio de retorno ubicado en la herramienta.
4. Conecte la manguera de presión al orificio de presión –ubicado en la herramienta– y enseguida, al orificio de presión ubicado en la fuente de potencia hidráulica.

Desconexión de las mangueras

1. Coloque la palanca de gasto –ubicada en la fuente de potencia hidráulica– en la posición de apagado (OFF).
2. Apague la fuente de potencia hidráulica.
3. Desconecte primero la manguera de presión de la fuente de potencia hidráulica y enseguida, de la herramienta.
4. Desconecte primero la manguera de retorno de la herramienta, y enseguida, de la fuente de potencia hidráulica.
5. Coloque las tapas guardapolvos sobre los orificios para evitar que estos se contaminen.

Modelo de instalación



Instalación

⚠ADVERTENCIA

No exceda los máximos especificados a continuación para la fuente de potencia hidráulica:

- Gasto hidráulico: 46 l/min
- Presión de seguridad: 138 bar
- Contrapresión: 13,8 bar

De no observarse esta advertencia podrían sufrirse graves lesiones o incluso la muerte.

⚠ADVERTENCIA

No invierta el gasto hidráulico. Operar la herramienta con el gasto invertido ocasionará un funcionamiento inadecuado. Conecte las mangueras de suministro (presión) y la de retorno (tanque), en los orificios correspondientes en la herramienta.

De no observarse esta advertencia podrían sufrirse graves lesiones o incluso la muerte.

1. Apague la fuente de potencia hidráulica.
2. Instale un accesorio de acuerdo con las instrucciones en "Montaje y desmontaje de accesorios".
3. Conecte la herramienta a la fuente de potencia de acuerdo con las instrucciones en "Conexión de las mangueras".

Operación

⚠ADVERTENCIA



Peligro de electrocución:

Esta herramienta no está aislada. Al utilizar esta unidad cerca de líneas eléctricas energizadas:

- Utilice únicamente mangueras no conductivas aprobadas y equipo de protección personal adecuado.
- Seleccione siempre un líquido para aparatos hidráulicos, que cumpla con los estándares dieléctricos mínimos exigidos por su departamento de seguridad, y manténgalo al nivel adecuado.

De no observarse esta advertencia podrían sufrirse graves lesiones o incluso la muerte.

⚠ADVERTENCIA



Peligro de inyección cutánea:

- No use las manos para localizar fugas.
- No toque la manguera ni los acopladores mientras el sistema hidráulico se encuentre presurizado.
- Purgue la presión en el sistema hidráulico antes de darle mantenimiento.

El aceite bajo presión punza la piel fácilmente provocando graves lesiones, gangrena o la muerte. Si se lesiona debido a una fuga de aceite, solicite atención médica de inmediato.

⚠ADVERTENCIA

No cambie accesorios ni inspeccione o limpie la herramienta mientras esté conectada a una fuente de potencia. Si se activa accidentalmente, podría ocasionar graves lesiones.

De no observarse esta advertencia podrían sufrirse graves lesiones o incluso la muerte.

⚠ADVERTENCIA



Utilice protectores para ojos al manejar o darle mantenimiento a esta herramienta.

De no utilizar protectores para ojos podría sufrir graves lesiones oculares ocasionadas si el aceite para aparatos hidráulicos, o restos de materiales llegan a saltar.

Operación (continuación)

IMPORTANTE

Procedimiento de apagado de emergencia:

1. Suelte el gatillo.
2. Apague la fuente de potencia hidráulica.

1. Arranque la fuente de potencia.
Aviso: Espere unos minutos a que la fuente de potencia caliente el líquido para aparatos hidráulicos.
2. Monte la bobina direccional en la posición adecuada (hacia adelante o en reversa).

⚠ ATENCIÓN

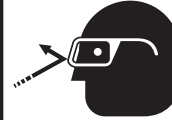
No invierta la posición de la bobina direccional mientras la herramienta se encuentra en funcionamiento. Espere a que la herramienta se detenga por completo, antes de invertir la dirección de la bobina.

De no observarse este aviso pueden ocasionarse daños materiales.

3. Sujete la empuñadura. Coloque la otra mano sobre la herramienta o sobre la empuñadura auxiliar. Esto le permitirá aplicar un efecto de palanca mientras hace funcionar la herramienta.
4. Para ponerla en funcionamiento, apriete el gatillo.
Si en 5 segundos la fuerza por percusión no afloja un perno, tuerca, etc., deténgase y utilice algún otro método de remoción. La fuerza por percusión continua producirá un desgaste severo en el mecanismo de percusión.
5. Para detener la herramienta, suelte el gatillo.
6. Cuando no utilice la herramienta, detenga la fuente de potencia a fin de reducir el calentamiento y desgaste de los componentes.

Mantenimiento

⚠ ADVERTENCIA



Utilice protectores para ojos al manejar o darle mantenimiento a esta herramienta.

De no utilizar protectores para ojos podría sufrir graves lesiones oculares ocasionadas si el aceite para aparatos hidráulicos, o restos de materiales llegaran a saltar.

⚠ ADVERTENCIA

No cambie accesorios ni inspeccione o limpie la herramienta mientras esté conectada a una fuente de potencia. Si se activa accidentalmente, podría ocasionar graves lesiones.

De no observarse esta advertencia podrían sufrirse graves lesiones o incluso la muerte.

Siga este calendario de mantenimiento para maximizar la vida útil de la herramienta.

Aviso:

- Mantenga limpias y legibles todas las calcomanías y reemplácelas cuando sea necesario.
- Al desechar cualquier tipo de componentes (mangueras hidráulicas, líquido para aparatos hidráulicos, piezas usadas, etc.), hágalo de acuerdo con lo establecido por las leyes o reglamentos federales, estatales y locales.

Diariamente

1. Limpie con un paño todas las superficies de la herramienta.
2. Revise si las mangueras y los accesorios hidráulicos presentan signos de fugas, grietas, desgaste o daños. Reemplace según sea necesario.
3. Cuando la herramienta esté desconectada, coloque las tapas guardapolvo en los orificios hidráulicos.

Mensualmente

Realice una inspección minuciosa de las mangueras y accesorios hidráulicos, según se describe en la publicación 99930323, SAE J1273 (Manguera y conjuntos de mangueras).

Solución de problemas

Antes de proceder a diagnosticar y solucionar la falla, determine si el problema se presenta en la herramienta, en las mangueras o en la fuente de potencia. Sustituya la herramienta, las mangueras o la fuente de potencia por otras que se sepa están en buenas condiciones de funcionamiento; de esta forma podrá averiguar cuál de los componentes es el que está fallando.

Si el problema se presenta en la herramienta, vea la guía de diagnóstico y solución de fallas que se incluye a continuación. Si el problema se presenta en la fuente de potencia, consulte la sección “Diagnóstico y solución de fallas” del manual de instrucciones de esa fuente.

Problema	Causa probable	Posible solución
La herramienta no funciona.	Fuente de potencia inadecuada.	Consulte la sección “Especificaciones”. Verifique que la fuente de potencia cumple con las especificaciones.
	El nivel del líquido para aparatos hidráulicos está bajo.	Revise el nivel del líquido para aparatos hidráulicos. Revise que el sistema no presente fugas.
	La viscosidad del líquido para aparatos hidráulicos es incorrecta.	Consulte “Líquidos recomendados para aparatos hidráulicos” en la sección “Especificaciones”.
La herramienta funciona de manera lenta o errática.	El líquido para aparatos hidráulicos está frío.	Deje que el líquido alcance su temperatura de funcionamiento. Accione la herramienta de manera intermitente para reducir el tiempo de calentamiento.
	Las conexiones de la manguera en la herramienta están invertidas.	Purgue la presión del sistema hidráulico. Cambie las conexiones de la manguera.
	La fuente de potencia no está ajustada correctamente.	Consulte el Manual del operador de la fuente de potencia para ajustar el flujo y la presión. Seleccione el flujo y la presión que correspondan a esta herramienta.
	Hay aire en el sistema hidráulico.	Consulte las instrucciones del fabricante de la fuente de potencia en relación con el procedimiento para eliminar aire del sistema.
	La viscosidad del líquido para aparatos hidráulicos es incorrecta.	Consulte “Líquidos recomendados para aparatos hidráulicos” en la sección “Especificaciones”.
La herramienta está caliente.	El nivel del líquido para aparatos hidráulicos está bajo.	Revise el nivel del líquido para aparatos hidráulicos. Revise que el sistema no presente fugas.
	La viscosidad del líquido para aparatos hidráulicos es incorrecta.	Consulte “Líquidos recomendados para aparatos hidráulicos” en la sección “Especificaciones”.
	El líquido para aparatos hidráulicos está sucio.	Drene el tanque, depure y llene con líquido limpio. Cambie el filtro.

Accesorios

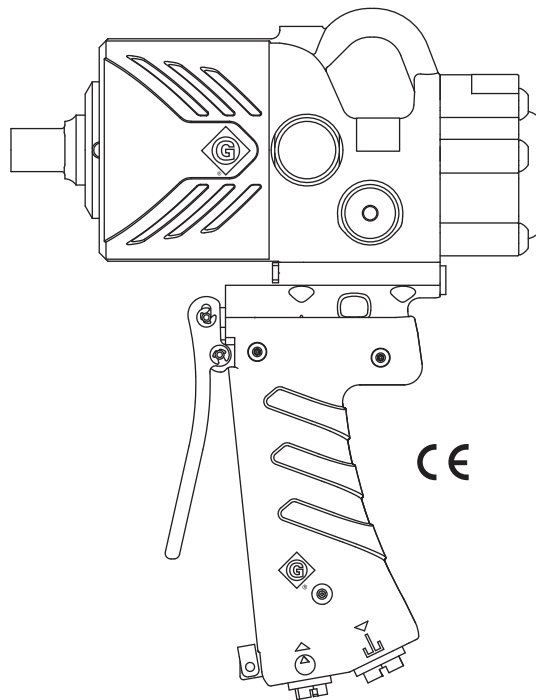
Los adaptadores, brocas de percusión y casquillos se encuentran disponibles a través de su distribuidor de Greenlee Utility. Para una lista completa de accesorios, refiérase a nuestro catálogo o visite nuestra página electrónica en www.greenlee.com.



4455 Boeing Drive • Rockford, IL 61109-2988 • USA • 815-397-7070
An ISO 9001 Company • Greenlee Textron Inc. is a subsidiary of Textron Inc.

USA	Canada	International
Tel: 800-435-0786	Tel: 800-435-0786	Tel: +1-815-397-7070
Fax: 800-451-2632	Fax: 800-524-2853	Fax: +1-815-397-9247
www.greenlee.com		

MANUEL DE L'UTILISATEUR



Clé à chocs HW3

Code de série BBF



Nous vous conseillons de **lire attentivement** et de **bien comprendre** les instructions suivantes avant d'utiliser ou de procéder à l'entretien de cet outil.

Enregistrez votre produit en ligne, www.greenlee.com

Table des matières

Description	26
Sécurité	26
Objet de ce manuel	26
Autres publications.....	26
Consignes de sécurité importantes.....	27-29
Identification	30
Spécifications	31
Montage du Super Spool™.....	32
Montage et démontage des accessoires	32
Tuyaux et raccords	33
Montage type	33
Branchement des tuyaux	33
Installation	34
Utilisation.....	34-35
Entretien	35
Dépannage	36
Accessoires	36

Description

La clé à chocs HW3 de Greenlee Utility est conçue pour une utilisation avec des douilles, des embouts de tournevis et des forets à bois de type choc. La plage de pression d'exploitation est de 68,9 à 138 bar (1000 à 2000 psi).

Caractéristiques :

- Tiroir directionnel de sélection de la marche avant ou arrière
- Poignée isolée pour le confort et la sécurité de l'opérateur
- Protections pour poignée Cool Grip™ résistantes au choc et à la chaleur pour dissiper la chaleur
- Super Spool™ pour une utilisation avec des systèmes hydrauliques à centre ouvert ou fermé
- Contrôle de débit avec compensation de pression pour empêcher la survitesse lors d'un débit élevé

Sécurité

Lors de l'utilisation et de l'entretien des outils et de l'équipement de Greenlee, votre sécurité est une priorité. En suivant les instructions de ce manuel et celles inscrites sur l'outil, vous pourrez éliminer les risques et les dangers liés à son utilisation. Respectez toutes les consignes de sécurité.

Objet de ce manuel

Ce manuel est conçu pour que le personnel puisse se familiariser avec les procédures de fonctionnement et d'entretien en toute sécurité de la clé à chocs hydraulique de Greenlee Utility suivante :

HW3 Code de série BBF

Mettez ce manuel à la disposition de tous les employés. Vous pouvez obtenir des exemplaires gratuits sur simple demande en visitant le www.greenlee.com.

Autres publications

Propriétaires/utilisateurs de l'outil

Norme SAE J1273 (Tuyaux et assemblages de tuyaux) :
Publication 99930323

Centres de service après-vente agréés Greenlee Utility

Manuel de réparation : Publication 52063856

Toutes les spécifications sont nominales et peuvent changer avec l'amélioration de la conception. Greenlee Textron Inc. ne peut être tenue responsable des dommages résultant d'une application inappropriée ou d'un mauvais usage de ses produits.

Cool Grip et Super Spool sont des marques de commerce de Textron Innovations Inc.

Super Spool est protégé par le brevet américain n° 4548229.

CONSERVEZ CE MANUEL

CONSIGNES DE SÉCURITÉ IMPORTANTES



SYMBOLE D'AVERTISSEMENT

Ce symbole vous met en garde contre les risques ou les manipulations dangereuses pouvant entraîner des blessures ou l'endommagement du matériel. Les mots indicateurs ci-dessous définissent la gravité du danger et sont suivis d'informations vous permettant de reconnaître le danger et de l'éviter.

⚠ DANGER

Danger immédiat qui, s'il n'est pas pris en considération, ENTRAÎNERA des blessures graves, voire mortelles.

⚠ AVERTISSEMENT

Danger qui, s'il n'est pas pris en considération, POURRAIT entraîner des blessures graves, voire mortelles.

⚠ ATTENTION

Dangers ou manipulations dangereuses qui, s'ils ne sont pas pris en considération, POURRAIENT EVENTUELLEMENT entraîner des blessures graves, voire mortelles.



⚠ AVERTISSEMENT

Nous vous conseillons de lire attentivement et de bien comprendre les instructions suivantes avant d'utiliser ou de procéder à l'entretien de cet outil.

L'inobservation de cette consigne pourrait entraîner des blessures graves, voire mortelles.



⚠ AVERTISSEMENT

Risque d'électrocution :

Cet outil n'est pas isolé. Lors de son utilisation à proximité de lignes sous tension :

- N'utilisez que des tuyaux certifiés non-conducteurs et du matériel de sécurité individuelle approprié.
- Choisissez et entretenez le fluide hydraulique répondant aux normes diélectriques minimales requises par votre service de sécurité.

L'inobservation de cette consigne pourrait entraîner des blessures graves, voire mortelles.



⚠ AVERTISSEMENT

Risque d'injection sous-cutanée :

- N'utilisez jamais vos mains pour déterminer l'emplacement d'une fuite.
- Ne tenez jamais un tuyau ou un raccord de tuyau dans vos mains lorsque le système hydraulique est pressurisé.
- Veillez à dépressuriser le système hydraulique avant d'en effectuer l'entretien.

Un jet d'huile sous pression peut facilement percer la peau et entraîner de graves blessures, la gangrène, voire la mort. Si vous êtes blessé par un jet d'huile, consultez immédiatement un docteur.



⚠ AVERTISSEMENT

Nous vous conseillons de porter des lunettes de protection lors de l'utilisation ou de l'entretien de cet outil.

Le fait de ne pas porter des lunettes de protection pourrait entraîner des blessures oculaires graves causées par la projection de débris ou d'huile hydraulique.

CONSIGNES DE SÉCURITÉ IMPORTANTES

	⚠️ AVERTISSEMENT
	<p>Porter une protection auditive durant l'utilisation de cet outil.</p> <p>Le non-respect de cette mise en garde peut entraîner des blessures graves.</p>

⚠️ AVERTISSEMENT
<p>Certaines poussières produites par le ponçage, le sciage, le meulage, le perçage et autres activités de construction contiennent des substances chimiques déclarées responsables de cancers, anomalies congénitales et autres troubles de la reproduction par l'État de Californie. Exemples :</p> <ul style="list-style-type: none"> • Plomb des peintures au plomb • Silice cristalline des briques, parpaings et autres produits de maçonnerie • Arsenic et chrome du bois d'œuvre traité chimiquement. <p>Pour réduire l'exposition à ces substances chimiques : travailler dans un endroit bien aéré et utiliser des équipements de sécurité homologués, notamment des masques antipoussière conçus spécifiquement pour filtrer les particules microscopiques.</p>

⚠️ AVERTISSEMENT
<ul style="list-style-type: none"> • N'utilisez que des accessoires homologués « à chocs », car des accessoires non homologués pourraient se casser lors de leur utilisation avec un outil à choc. • Inspectez les accessoires avant de les utiliser. Jetez les accessoires craquelés, déchiquetés ou rainurés. <p>L'inobservation de cette consigne pourrait entraîner des blessures graves, voire mortelles.</p>

⚠️ AVERTISSEMENT
<ul style="list-style-type: none"> • Ne touchez aucune partie rotative de l'outil durant son fonctionnement. Un contact avec les parties tournantes peut entraîner de graves blessures. • Ne changez pas les accessoires, n'inspectez pas ou ne nettoyez pas l'outil lorsqu'il est branché à une source d'alimentation. Un démarrage accidentel peut entraîner de graves blessures. • Maintenez fermement l'outil à deux mains en tout temps durant son utilisation. Une perte de contrôle peut entraîner de graves blessures. • Ne bloquez pas la gâchette en position MARCHE (Power-ON). L'opérateur ne peut pas arrêter l'outil lorsque la gâchette est bloquée. <p>L'inobservation de ces avertissements pourrait entraîner des blessures graves, voire mortelles.</p>

	⚠️ AVERTISSEMENT
	<p>L'outil et l'accessoire peuvent être chauds pendant et après le fonctionnement.</p> <p>Un contact avec des surfaces chaudes pourrait entraîner des blessures.</p>

⚠️ AVERTISSEMENT
<p>Ne dépassez pas les quantités d'alimentation hydraulique suivantes :</p> <ul style="list-style-type: none"> • Débit hydraulique : 46 l/min (12 gpm) • Limite de pression : 138 bars (2000 psi) • Contre-pression : 13,8 bars (200 psi) <p>L'inobservation de cette consigne pourrait entraîner des blessures graves, voire mortelles.</p>

⚠️ AVERTISSEMENT
<p>Ne déconnectez jamais l'outil, les tuyaux ou les raccords lorsque l'appareil est alimenté ou lorsque le liquide hydraulique est chaud, car ce dernier pourrait provoquer de graves brûlures.</p>

CONSIGNES DE SÉCURITÉ IMPORTANTES

⚠️ AVERTISSEMENT

N'inversez jamais le sens du débit hydraulique, car cela pourrait causer un mauvais fonctionnement de l'outil. Veillez à ce que le tuyau d'alimentation (pression) et celui de retour (réservoir) soient raccordés aux orifices appropriés.

L'inobservation de cette consigne pourrait entraîner des blessures graves, voire mortelles.

⚠️ ATTENTION

- Veuillez porter des gants de protection lors de la manipulation, du démontage et de l'installation des forets, car ces derniers sont coupants même à l'arrêt.
- Vérifiez l'outil avant de l'utiliser. Remplacez les pièces usées ou endommagées. Un outil dont les pièces sont endommagées ou qui n'a pas été correctement monté peut subir une défaillance technique et blesser les personnes se tenant à proximité.
- Inspectez les tuyaux hydrauliques et les raccords chaque jour de fonctionnement. Si vous remarquez une fuite, une fissure, de l'usure ou un endommagement, réparez ou remplacez le cas échéant. Les tuyaux ou raccords endommagés peuvent provoquer une défaillance et entraîner des blessures ou des dégâts matériels.
- Utilisez cet outil aux fins prévues par le fabricant uniquement. L'utilisation à d'autres fins que celles prévues dans ce manuel peut provoquer des blessures ou des dégâts matériels.
- Assurez-vous que toutes les personnes alentour se tiennent à bonne distance de la zone de travail lorsque vous manipulez, démarrez et faites fonctionner l'outil. Les personnes se tenant à proximité peuvent être blessées par la projection de pièces dans le cas où l'outil se mettrait à mal fonctionner.

⚠️ ATTENTION

L'exposition prolongée à la vibration ou des mouvements répétitifs des mains ou des bras peuvent entraîner des blessures. Cesser d'utiliser l'outil en cas de gêne, de fourmillements ou de douleur. Consulter un médecin avant de réutiliser l'outil.

IMPORTANT

Procédure de branchement ou de débranchement des tuyaux hydrauliques, de leurs raccords et de leurs composants :

1. Placez le levier d'écoulement de la source d'alimentation hydraulique en position d'ARRÊT (OFF).
2. Coupez la source d'alimentation hydraulique.
3. Suivez la séquence qui figure à la rubrique « Branchement des tuyaux » pour éviter une montée en pression. Au cas où la pression aurait augmenté, desserrez lentement les tuyaux, les raccords ou les composants.

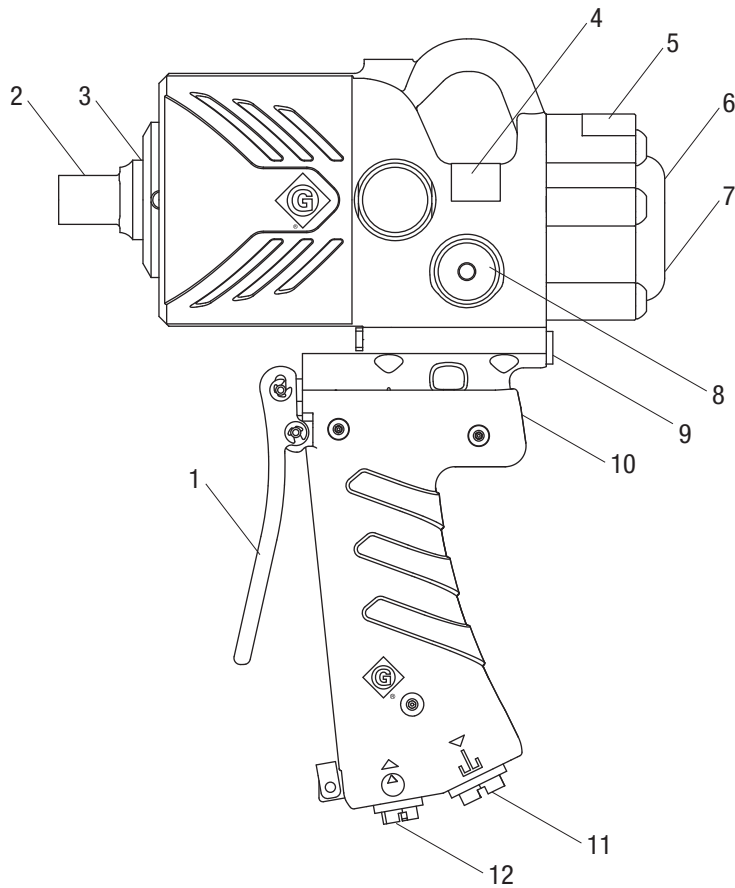
IMPORTANT

Procédure d'arrêt d'urgence :

1. Relâchez la gâchette.
2. Fermez la source d'alimentation hydraulique.

Remarque : Conservez toutes les décalcomanies propres et lisibles et remplacez-les au besoin.

Identification



- | | |
|------------------------------|---|
| 1. Gâchette | 7. Numéro de série |
| 2. Mandrin carré de 3/4 po | 8. Tiroir directionnel |
| 3. Tiges d'entraînement | 9. Contrôle débit |
| 4. Autocollant Direction | 10. Tiroir-gâchette tiroir ouvert/fermé |
| 5. Autocollant Avertissement | 11. Orifice de retour (réservoir) |
| 6. Capot de moteur | 12. Orifice de pression |

Spécifications

Clé à choc

Type de système hydraulique.....	Centre ouvert ou fermé
Orifice de pression hydraulique.....	Joint torique Boss 9/16-18 UNF SAE
Orifice de retour hydraulique.....	Joint torique Boss 3/4-16 UNF SAE
Sortie à 30,3 l/min (8 gpm)	
Tours/min (sans charge).....	2800
Impacts par minute (sans charge).....	1300
Couple à 37,8 l/min (10 gpm).....	1742 Nm (1285 pi-lb)
Dimension de l'entraînement.....	Carré d'entraînement de 3/4 po
Niveau de vibration.....	15,3 m/s ²
Niveau de bruit.....	120 Lwa
Masse/poids.....	4,76 kg (10,5 lb)
Longueur.....	236 mm (9,3 po)
Largeur.....	107 mm (4,2 po)
Hauteur.....	300 mm (11,8 po)

Source d'alimentation hydraulique

⚠ AVERTISSEMENT

Ne dépassez pas les quantités d'alimentation hydraulique suivantes :

- Débit hydraulique : 46 l/min (12 gpm)
- Limite de pression : 138 bars (2000 psi)
- Contre-pression : 13,8 bars (200 psi)

L'inobservation de cette consigne pourrait entraîner des blessures graves, voire mortelles.

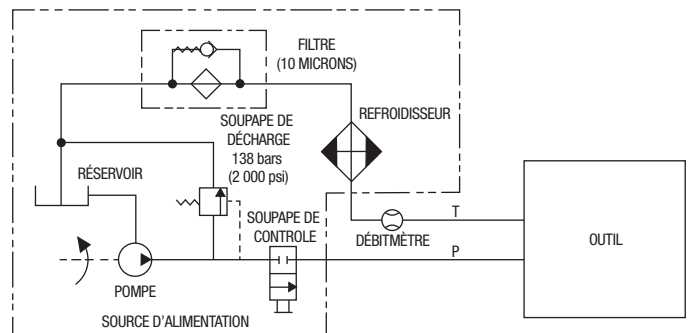
Type de système hydraulique.....	Centre ouvert ou fermé
Débit	
Minimum.....	15,1 l/min (4 gpm)
Recommandé.....	18,9 à 30,3 l/min (5 à 8 gpm)
Maximum.....	46 l/min (12 gpm)
Filtration.....	10 microns (nominal)
Réglage de la limite de pression.....	138 bars (2000 psi)
Contre-pression (maximum*).....	13,8 bars (200 psi)

* 13,8 bars (200 psi) est la contre-pression standard maximale acceptée par la HTMA (Hydraulic Tool Manufacturers Association/ Association des fabricants d'outils hydrauliques). Les outils de Greenlee Greenlee Utility fonctionnent parfaitement avec cette contre-pression.

Source d'alimentation hydraulique (suite)

1. La température maximale du fluide hydraulique ne peut excéder 60 °C (140 °F). Une capacité suffisante de refroidissement de l'huile est nécessaire pour limiter la température du fluide hydraulique.
2. Le débit hydraulique ne doit pas dépasser 46 l/min (12 gpm). Installez un débitmètre dans le tube de retour, afin de mesurer le débit hydraulique avant d'utiliser l'outil.
3. Le réglage de la soupape de décharge ne doit pas dépasser 138 bars (2000 psi) lors du débit maximum de l'outil. Repérez l'emplacement de la soupape de décharge au sein du circuit d'alimentation afin que la pompe ne subisse pas une pression hydraulique excessive.

Schéma hydraulique



Fluides hydrauliques recommandés

Nous vous conseillons d'utiliser n'importe quel fluide hydraulique non-détergifiant dérivé du pétrole, qui correspond aux spécifications suivantes, ou aux spécifications de l'association HTMA.

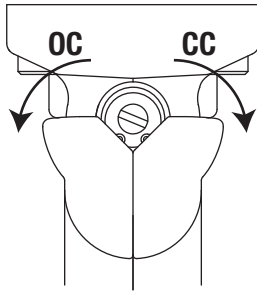
S.U.S à :

38 °C (100 °F).....	140 à 225
99 °C (210 °F).....	40 minimum
Point d'éclair.....	170 °C (340 °F) minimum
Point d'écoulement.....	-34 °C (-30 °F) minimum

Montage du Super Spool™

Le Super Spool permet d'utiliser l'outil sur des systèmes hydrauliques à centre ouvert ou à centre fermé.

1. Insérez un tournevis dans le creux du tiroir.
2. Si vous utilisez :
 - un système hydraulique à centre ouvert, tournez le Super Spool dans le sens antihoraire jusqu'à l'arrêt.
 - un système hydraulique à centre fermé, tournez le Super Spool dans le sens horaire jusqu'à l'arrêt.



Montage et démontage des accessoires

⚠ AVERTISSEMENT

- N'utilisez que des accessoires homologués « à chocs », car des accessoires non homologués pourraient se casser lors de leur utilisation avec un outil à choc.
- Inspectez les accessoires avant de les utiliser. Jetez les accessoires craquelés, déchiquetés ou rainurés.

L'inobservation de cette consigne pourrait entraîner des blessures graves, voire mortelles.

Forets à impact et embouts de tournevis

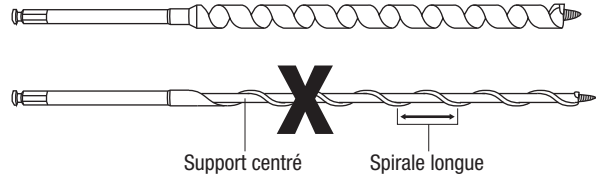
Greenlee Utility recommande d'utiliser des forets de type choc de Greenlee.

⚠ AVERTISSEMENT

Certains forets peuvent fléchir ou se plier sous la pression.

- N'utilisez pas les forets à support centré et à spirale longue.
- Lors de l'utilisation d'un foret à chocs, réglez la source d'alimentation sur débit minimum.

L'inobservation de ces avertissements pourrait entraîner des blessures graves, voire mortelles.



1. Inspectez le mandrin à changement rapide, si équipée. Enlevez toute saleté ou autre forme de contamination.
2. Faites glisser et maintenez le mandrin loin du corps principal de l'outil pour retirer l'adaptateur.
3. Insérez le foret dans l'outil et relâchez le mandrin pour qu'il revienne dans sa position initiale.
4. Pour enlever le foret, faites glisser et maintenez le mandrin loin de l'outil.

Tuyaux et raccords

Installation et entretien

Reportez-vous à la publication 99930323, SAE J1273 (Tuyaux et assemblages de tuyaux).

Remplacement

Reportez-vous à un catalogue de Greenlee Utility ou à la publication Greenlee Utility 99910322, « Dispositifs d'attache rapide, adaptateurs et tuyaux de basse pression ».

⚠️ AVERTISSEMENT

Ne déconnectez jamais l'outil, les tuyaux ou les raccords lorsque l'appareil est alimenté ou lorsque le liquide hydraulique est chaud, car ce dernier pourrait provoquer de graves brûlures.

Branchement des tuyaux

Identification des orifices de l'outil

Comparez les marques sur l'outil au tableau suivant.

Orifice de pression	Orifice de retour
P	T
ou	
▲	⏚

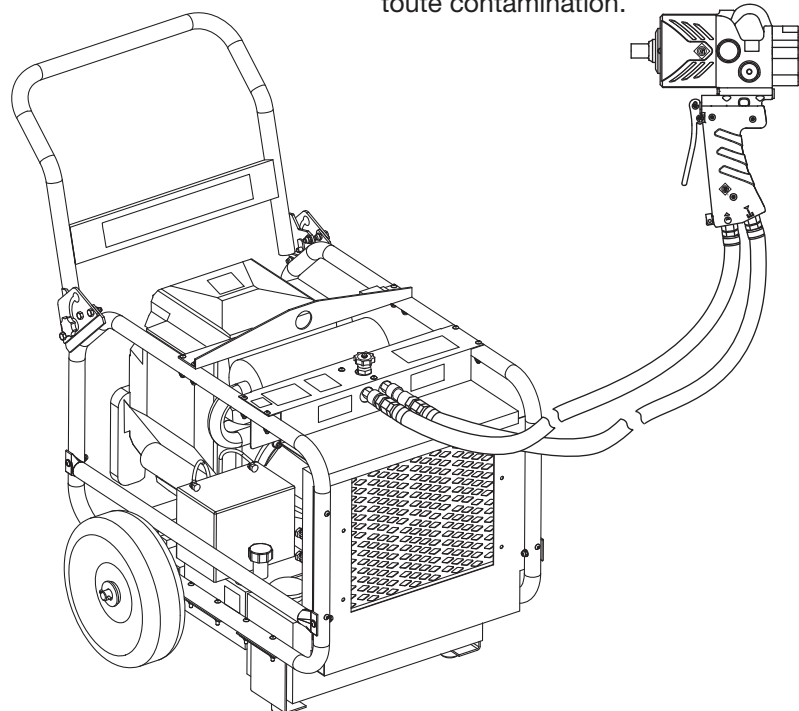
Branchement des tuyaux

1. Placez le levier d'écoulement de la source d'alimentation hydraulique en position d'ARRET (OFF).
2. Coupez la source d'alimentation hydraulique.
3. Branchez le tuyau de retour à l'orifice de retour de la source d'alimentation hydraulique, puis à l'orifice de retour de l'outil.
4. Branchez le tuyau de pression à l'orifice de pression de l'outil, puis à l'orifice de pression de la source d'alimentation hydraulique.

Débranchement des tuyaux

1. Placez le levier d'écoulement de la source d'alimentation hydraulique en position d'ARRET (OFF).
2. Coupez la source d'alimentation hydraulique.
3. Débranchez le tuyau de pression de la source d'alimentation hydraulique, puis de l'outil.
4. Débranchez le tuyau de retour de l'outil, puis de la source d'alimentation hydraulique.
5. Installez des couvercles sur les orifices pour éviter toute contamination.

Montage type



Installation

⚠️ AVERTISSEMENT

Ne dépassez pas les quantités d'alimentation hydraulique suivantes :

- Débit hydraulique : 46 l/min (12 gpm)
- Limite de pression : 138 bars (2000 psi)
- Contre-pression : 13,8 bars (200 psi)

L'inobservation de cette consigne pourrait entraîner des blessures graves, voire mortelles.

⚠️ AVERTISSEMENT

N'inversez jamais le sens du débit hydraulique, car cela pourrait causer un mauvais fonctionnement de l'outil. Veillez à ce que le tuyau d'alimentation (pression) et celui de retour (réservoir) soient raccordés aux orifices appropriés.

L'inobservation de cette consigne pourrait entraîner des blessures graves, voire mortelles.

1. Coupez la source d'alimentation hydraulique.
2. Installez un accessoire en suivant les instructions ont de la section « Montage et démontage des accessoires ».
3. Branchez l'outil à la source d'alimentation, conformément aux instructions figurant à la section « Branchement des tuyaux ».

Utilisation

⚠️ AVERTISSEMENT

Risque d'électrocution :

Cet outil n'est pas isolé. Lors de son utilisation à proximité de lignes sous tension :

- N'utilisez que des tuyaux certifiés non-conducteurs et du matériel de sécurité individuelle approprié.
- Choisissez et entretenez le fluide hydraulique répondant aux normes diélectriques minimales requises par votre service de sécurité.

L'inobservation de cette consigne pourrait entraîner des blessures graves, voire mortelles.



⚠️ AVERTISSEMENT

Risque d'injection sous-cutanée :

- N'utilisez jamais vos mains pour déterminer l'emplacement d'une fuite.
- Ne tenez jamais un tuyau ou un raccord de tuyau dans vos mains lorsque le système hydraulique est pressurisé.
- Veillez à dépressuriser le système hydraulique avant d'en effectuer l'entretien.

Un jet d'huile sous pression peut facilement percer la peau et entraîner de graves blessures, la gangrène, voire la mort. Si vous êtes blessé par un jet d'huile, consultez immédiatement un docteur.



⚠️ AVERTISSEMENT

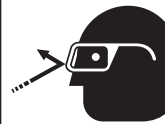
Ne changez pas les accessoires, n'inspectez pas ou ne nettoyez pas l'outil lorsqu'il est branché à une source d'alimentation. Un démarrage accidentel peut entraîner de graves blessures.

L'inobservation de cette consigne pourrait entraîner des blessures graves, voire mortelles.

⚠️ AVERTISSEMENT

Nous vous conseillons de porter des lunettes de protection lors de l'utilisation ou de l'entretien de cet outil.

Le fait de ne pas porter des lunettes de protection pourrait entraîner des blessures oculaires graves causées par la projection de débris ou d'huile hydraulique.



IMPORTANT

Procédure d'arrêt d'urgence :

1. Relâchez la gâchette.
2. Fermez la source d'alimentation hydraulique.

Utilisation (suite)

1. Démarrez la source d'alimentation.

Remarque : Laissez la source d'alimentation fonctionner pendant quelques minutes pour réchauffer le fluide hydraulique.

2. Réglez le tiroir directionnel dans la position correcte (avant ou arrière).

⚠ ATTENTION

Ne modifiez pas la position du tiroir directionnel lorsque l'outil est en marche. Arrêtez l'outil afin de changer la direction.

L'inobservation de cette consigne peut entraîner des dégâts matériels.

3. Saisissez la poignée. Placez votre autre main sur le dessus de l'outil ou sur la poignée auxiliaire. Vous pourrez ainsi appliquer un effet de levier pendant l'utilisation de l'outil.
4. Pour démarrer l'outil, serrez la gâchette.
Si l'utilisation de la clé à choc pendant 5 secondes ne desserre pas un boulon, un écrou etc., cessez d'utiliser la clé à choc et utilisez une autre méthode. L'utilisation continue d'une clé à choc peut causer une usure prématurée du mécanisme de clé à choc.
5. Pour arrêter l'outil, relâchez la gâchette.
6. Lorsque l'outil n'est pas utilisé, coupez la source d'alimentation pour réduire la chaleur et l'usure des composants de l'outil.

Entretien

	<h3>⚠ AVERTISSEMENT</h3>
	<p>Nous vous conseillons de porter des lunettes de protection lors de l'utilisation ou de l'entretien de cet outil.</p> <p>Le fait de ne pas porter des lunettes de protection pourrait entraîner des blessures oculaires graves causées par la projection de débris ou d'huile hydraulique.</p>

<h3>⚠ AVERTISSEMENT</h3>
<p>Ne changez pas les accessoires, n'inspectez pas ou ne nettoyez pas l'outil lorsqu'il est branché à une source d'alimentation. Un démarrage accidentel peut entraîner de graves blessures.</p> <p>L'inobservation de cette consigne pourrait entraîner des blessures graves, voire mortelles.</p>

Respectez ce programme d'entretien afin de maximiser la durée de vie de votre outil.

Remarque :

- Conservez toutes les décalcomanies propres et lisibles et remplacez-les au besoin.
- Lors de la mise au rebut de tout composant (tuyaux hydrauliques, fluide hydraulique, pièces usées, etc.) procédez en respectant les lois et les ordonnances fédérales, provinciales et locales.

Quotidien

1. Essayez toutes les surfaces de l'outil.
2. Assurez-vous que les tuyaux hydrauliques et les raccords ne fuient pas, qu'ils ne sont ni fissurés, ni usés ou endommagés. Remplacez au besoin.
3. Lorsque l'outil est débranché, couvrez les orifices hydrauliques avec des capuchons antipoussières.

Mensuel

Inspectez soigneusement les tuyaux et les raccords hydrauliques en suivant les instructions de la publication 99930323, SAE J1273 (Tuyaux et assemblage de tuyaux).

Dépannage

Avant d'utiliser ce tableau, identifiez l'origine du problème : outil, tuyaux ou source d'alimentation. Remplacez ces éléments par un outil, des tuyaux ou une source d'alimentation dont vous vous êtes assuré du bon fonctionnement.

Si l'outil a causé la panne, consultez le tableau de dépannage ci-dessous. Si le problème provient de la source d'alimentation, consultez la section de dépannage du manuel d'utilisation de la source d'alimentation.

Problème	Cause probable	Solution probable
L'outil ne fonctionne pas.	La source d'alimentation ne convient pas.	Reportez-vous aux « Spécifications ». Vérifiez si la source d'alimentation est conforme aux spécifications.
	Le niveau du fluide hydraulique est bas.	Vérifiez le niveau de fluide hydraulique. Vérifiez s'il y a des fuites dans le système.
	La viscosité du fluide hydraulique est incorrecte.	Consultez la section « Fluides hydrauliques recommandés » dans la section « Spécifications ».
L'outil fonctionne lentement ou de façon erratique.	Le fluide hydraulique est froid.	Laissez le fluide se réchauffer à la température de fonctionnement. Actionnez l'outil de façon intermittente pour réduire le temps de réchauffement.
	Les connexions des tuyaux sont inversées au niveau de l'outil.	Dépressurisez le système hydraulique. Inversez les connexions des tuyaux.
	La source d'alimentation n'est pas réglée correctement.	Reportez-vous au manuel d'utilisation de la source d'alimentation pour le réglage du débit et de la pression. Réglez le débit et la pression de façon adéquate pour l'outil.
	Il y a de l'air dans le système hydraulique.	Reportez-vous au manuel d'instructions du fabricant de la source d'alimentation pour évacuer l'air du système.
	La viscosité du fluide hydraulique est incorrecte.	Consultez la section « Fluides hydrauliques recommandés » dans la section « Spécifications ».
L'outil est chaud.	Le niveau du fluide hydraulique est bas.	Vérifiez le niveau de fluide hydraulique. Vérifiez s'il y a des fuites dans le système.
	La viscosité du fluide hydraulique est incorrecte.	Consulter la section « Fluides hydrauliques recommandés » dans la section « Spécifications ».
	Le fluide hydraulique est sale.	Vidangez le réservoir; rincez-le et remplissez-le avec du fluide propre. Changez le filtre.

Accessoires

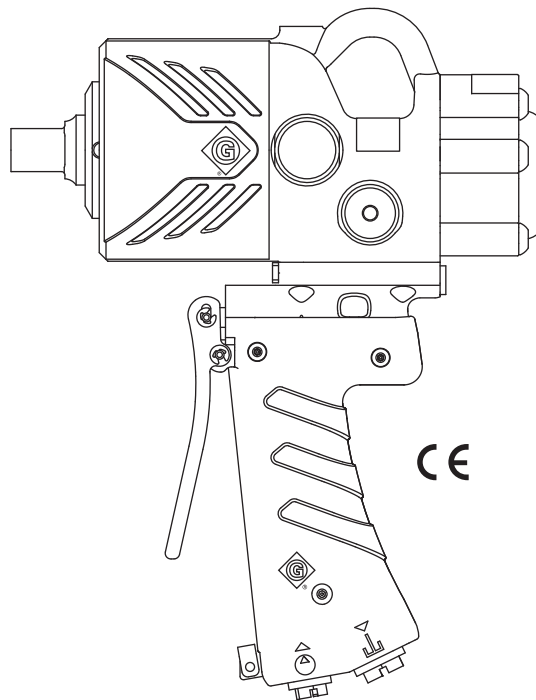
Les adaptateurs, les mèches à impact et les douilles sont disponibles chez votre distributeur Greenlee Utility. Pour obtenir une liste complète des accessoires, Reportez-vous à notre catalogue ou visitez notre site Web au www.greenlee.com.



4455 Boeing Drive • Rockford, IL 61109-2988 • USA • 815-397-7070
An ISO 9001 Company • Greenlee Textron Inc. is a subsidiary of Textron Inc.

USA	Canada	International
Tel: 800-435-0786	Tel: 800-435-0786	Tel: +1-815-397-7070
Fax: 800-451-2632	Fax: 800-524-2853	Fax: +1-815-397-9247
www.greenlee.com		

BETRIEBSANLEITUNG



Schlagschrauber HW3

Seriencode BBF



Vor Bedienung und Wartung dieses Geräts bitte alle Anweisungen und Sicherheitsinformationen in diesem Handbuch **genau lesen** und **beachten**.

Registrieren Sie dieses Produkt unter www.greenlee.com

Inhaltsverzeichnis

Beschreibung	38
Sicherheitsvorkehrungen.....	38
Zweck dieses Handbuchs	38
Andere Publikationen	38
Wichtige Sicherheitshinweise.....	39–41
Bezeichnungen.....	42
Technische Daten	43
Einstellung der Super Spool™	44
Installation und Entfernen der Zubehörteile	44
Schläuche und Verbindungsstücke.....	45
Schlauchverbindungen.....	45
Typische Anwendung	45
Einrichten.....	46
Betrieb	46–47
Wartung	47
Fehlersuche	48
Zubehörteile	48

Beschreibung

Der Schlagschrauber HW3 von Greenlee Utility ist zur Verwendung mit Kraftschrauber-Einsätzen, Schraubendrehereinsätzen und Holzbohrern vorgesehen. Der Betriebsdruckbereich liegt zwischen 68,9 und 138 bar (1000 to 2000 psi).

Zu den Merkmalen gehören u. a.:

- Umschalter (Umsteuerschieber) für das Umschalten zwischen Rechts- und Linkslauf
- Isolierter Griff für eine bequeme und sichere Handhabung des Geräts
- Stoßfeste und hitzebeständige Cool Grip™-Griffkappen zur Wärmeableitung
- Super Spool™ für den Betrieb mit Open-Center- oder Closed-Center-Hydrauliksystemen
- Druckkompensierte Durchflusssteuerung zur

Verhinderung von Überdrehzahlen bei hohen Durchflussraten

Sicherheitsvorkehrungen

Sicherheitsvorkehrungen sind bei der Verwendung und Wartung der Geräte und Ausrüstung von Greenlee entscheidend. Die vorliegende Anleitung und etwaige an den Maschinen angebrachte Markierungen geben Hinweise zur Vermeidung von Gefahren und gefährlichen Praktiken in Bezug auf die Handhabung dieses Geräts. Bitte alle hier angegebenen Sicherheitshinweise beachten.

Zweck dieses Handbuchs

Dieses Handbuch soll dazu dienen, das gesamte Personal mit den sicheren Betriebs- und Wartungsverfahren des folgenden hydraulischen Schlagschraubers von Greenlee Utility vertraut zu machen:

HW3 Seriencode BBF

Bitte dieses Handbuch allen Mitarbeitern zugänglich machen.

Ersatz-Handbücher sind auf Anfrage kostenlos erhältlich unter www.greenlee.com.

Andere Publikationen

Für Endbesitzer und -benutzer

SAE Norm J1273 (Schlauch und Schlauchbausätze):
Publikation 99930323

Für Greenlee Utility Vertrags-Reparaturwerkstätten

Reparaturhandbuch: Publikation 52063856

Alle technischen Daten sind Nennwerte. Bei Designverbesserungen Änderung der Nennwerte vorbehalten. Greenlee Textron Inc. haftet nicht für Schäden, die sich aus der falschen Anwendung oder dem Missbrauch seiner Produkte ergeben.

Cool Grip und Super Spool sind Marken von Textron Innovations Inc. Die Super Spool ist unter der US-Patentnummer 4548229 geschützt.

DIESES HANDBUCH BITTE AUFBEWAHREN

WICHTIGE SICHERHEITSHINWEISE



SICHERHEITS-ALARMSYMBOL

Dieses Symbol dient dazu, Aufmerksamkeit auf Gefahren bzw. auf unsichere Praktiken zu lenken, die Verletzungen oder Sachschäden hervorrufen könnten. Die im Hinweis enthaltenen, im folgenden näher definierten Worte geben den Schweregrad der Gefahr an. Die auf das betreffende Wort folgende Erklärung bietet Informationen über die Vermeidung oder Verhinderung der Gefahr.

⚠️ GEFAHR

Unmittelbare Gefahr, die, falls nicht vermieden, zu schweren oder tödlichen Verletzungen FÜHRT.

⚠️ WARNUNG

Gefahrenquellen oder unsichere Praktiken, die, falls nicht vermieden, zu schweren oder tödlichen Verletzungen führen KÖNNTEN.

⚠️ VORSICHT

Gefahrenquellen oder unsichere Praktiken, die, falls nicht vermieden, zu Verletzungen oder Sachschäden führen KÖNNTEN.



⚠️ WARNUNG

Vor Bedienung oder Wartung dieses Geräts bitte alle Anweisungen und Sicherheitsinformationen in diesem Handbuch genau lesen und beachten. Das Nichtbeachten dieser Warnung könnte zu schweren oder tödlichen Verletzungen führen.

⚠️ WARNUNG

Stromschlaggefahr:

Dieses Gerät ist nicht isoliert. Beim Betrieb dieser Einheit in der Nähe von erregten elektrischen Leitungen:

- dürfen nur zugelassene, nicht-leitende Schläuche und eine geeignete, persönliche Schutzausrüstung verwendet werden.
- sollten nur Hydraulikflüssigkeiten gewählt und erhalten werden, die den durch Ihre Sicherheitsabteilung erforderlichen dielektrischen Mindestnormen entsprechen.

Das Nichtbeachten dieser Warnung kann zu schweren oder tödlichen Verletzungen führen.



⚠️ WARNUNG

Hautinjektions-Gefahr:

- Undichte Stellen nicht mit der Hand prüfen.
- Bei eingeschalteter Druckversorgung den Schlauch bzw. die Verbindungsstücke nicht in der Hand halten.
- Vor der Wartung das Hydrauliksystem auf normalen Druck bringen.

Unter Druck stehendes Öl kann die Haut leicht punktieren, was zu Gangrän, schweren oder tödlichen Verletzungen führen kann. Bei einer Verletzung ist sofort ein Arzt aufzusuchen.




⚠️ WARNUNG

Beim Bedienen dieses Geräts stets einen Augenschutz tragen.

Absplittende Trümmer oder verspritztes Hydrauliköl könnten bei fehlendem Augenschutz schwere Augenverletzungen verursachen.




WICHTIGE SICHERHEITSHINWEISE

	⚠️ WARNUNG
	<p>Beim Gebrauch dieses Geräts Ohrenschutz tragen.</p> <p>Das Nichtbeachten dieser Warnung könnte zu schweren Verletzungen führen.</p>

⚠️ WARNUNG
<p>Durch maschinelle Schleif-, Säge-, Schmirgel- und Bohrarbeiten und andere Bauarbeiten verursachter Staub enthält Chemikalien, die im US-Bundesstaat Kalifornien als Ursache für Krebs, Geburtsfehler oder andere Fortpflanzungsschäden bekannt sind. Die folgenden Beispiele gehören zu diesen Chemikalien:</p> <ul style="list-style-type: none"> • Blei in Bleifarben • Kristallines Siliziumoxid in Ziegelsteinen und Zement sowie anderen Mauerwerksprodukten • Arsen und Chrom in chemisch behandeltem Bauholz <p>Um die Exposition gegenüber diesen Chemikalien zu verringern: Arbeiten Sie in einer gut belüfteten Umgebung und mit zugelassener Sicherheitsausrüstung wie z. B. Staubmasken, die speziell für die Herausfilterung mikroskopisch kleiner Partikel vorgesehen sind.</p>

⚠️ WARNUNG
<ul style="list-style-type: none"> • Nur Zubehörteile verwenden, die für eine Schlaganwendung zugelassen sind. Zubehörteile, die nicht für Schlaganwendungen zugelassen sind, können beim Einsatz in Schlagwerkzeugen brechen. • Die Zubehörteile vor dem Einsatz überprüfen. Zubehörteile, die Risse, Ablätterungen oder Einkerbungen aufweisen, entsorgen. <p>Das Nichtbeachten dieser Warnung kann zu schweren oder tödlichen Verletzungen führen.</p>

⚠️ WARNUNG
<ul style="list-style-type: none"> • Sämtliche Körperteile von sich drehenden Teilen fernhalten, wenn das Gerät in Betrieb ist. Ein Kontakt mit sich bewegenden Teilen kann zu schweren Verletzungen führen. • Am Gerät keine Zubehörteile wechseln, das Gerät nicht überprüfen oder reinigen, wenn es an eine Druckversorgung angeschlossen ist. Ein versehentliches Ingangsetzen des Geräts kann zu schweren Verletzungen führen. • Das Gerät stets fest mit beiden Händen anfassen. Schwere Verletzungen können entstehen, wenn ein Bediener das Gerät nicht unter Kontrolle hält. • Den Abzugshebel nicht in der Strom-EIN-Position verriegeln. Der Bediener kann das Gerät nicht ausschalten, wenn der Abzugshebel verriegelt ist. <p>Das Nichtbeachten dieser Warnungen könnte zu schweren oder tödlichen Verletzungen führen.</p>

	⚠️ WARNUNG
	<p>Gerät und Zubehörteil können während und nach dem Betrieb heiß sein.</p> <p>Ein Kontakt mit heißen Flächen kann zu schweren Verletzungen führen.</p>

⚠️ WARNUNG
<p>Die folgenden zulässigen Höchstwerte der Hydraulik-Druckversorgung nicht überschreiten:</p> <ul style="list-style-type: none"> • Hydraulikfluss: 46 l/min. • Überdruck: 138 bar • Staudruck: 13,8 bar <p>Das Nichtbeachten dieser Warnung kann zu schweren oder tödlichen Verletzungen führen.</p>

⚠️ WARNUNG
<p>Gerät, Schläuche und Verbindungsstücke nicht vom Gerät trennen, solange es an eine Druckversorgung angeschlossen oder das Hydrauliköl heiß ist. Heiße Hydraulikflüssigkeit könnte schwere Verbrennungen verursachen.</p>

WICHTIGE SICHERHEITSHINWEISE

⚠️ WARNUNG

Den Hydraulikfluss nicht umkehren. Der Betrieb bei umgekehrtem Hydraulikfluss kann zu Störungen im Gerät führen. Den Zufuhr- (Druck-) Schlauch und den Rückfuhr- (Tank-) Schlauch am geeigneten Anschluss anbringen.

Das Nichtbeachten dieser Warnung kann zu schweren oder tödlichen Verletzungen führen.

⚠️ VORSICHT

- Schutzhandschuhe beim Handhaben, Entfernen und Installieren von Bohrereisätzen tragen. Bohrereisätze können auch bei deren Stillstand Schnitte verursachen.
- Das Gerät vor Gebrauch überprüfen. Abgenutzte oder beschädigte Teile ersetzen. Ein beschädigtes oder nicht ordnungsgemäß montiertes Gerät kann versagen und in der Nähe befindliches Personal verletzen.
- An allen Einsatztagen die Hydraulikschläuche und Verbindungsstücke überprüfen. Falls undichte Stellen, Rissbildung, Abnutzung oder Schäden offensichtlich sind, sofort beheben bzw. austauschen. Beschädigte Schläuche und Verbindungsstücke können versagen und zu Verletzungen oder Sachschäden führen.
- Dieses Gerät nur für den vom Hersteller bestimmten Zweck verwenden. Der Einsatz für andere als die in der vorliegenden Anleitung beschriebenen Zwecke kann zu Verletzungen oder Sachschäden führen.
- Darauf achten, dass das nicht direkt mit der Maschine arbeitende Personal sich aus dem Arbeitsbereich entfernt hat, wenn das Gerät gehandhabt, gestartet und bedient wird. In der Nähe befindliches Personal kann im Falle einer Störung des Geräts durch weggeschleuderte Teile verletzt werden.

⚠️ VORSICHT

Längere Vibrationsbelastung oder sehr repetitive Hand- und Armbewegungen können zu Verletzungen führen. Bei Auftreten von Beschwerden, Kribbeln oder Schmerzen die Arbeit mit dem Gerät einstellen. Vor der Wiederaufnahme der Arbeit mit dem Gerät einen Arzt konsultieren.

WICHTIG

Verfahren zum Anschließen und Abziehen der Hydraulikschläuche, Verbindungsstücke und Komponenten:

1. Den Flusshebel an der Hydraulik-Druckversorgung auf AUS stellen.
2. Die Hydraulik-Druckversorgung abstellen.
3. Die Schritte unter „Schlauchverbindungen“ ausführen, um den Aufbau eines Überdrucks zu vermeiden. Falls sich bereits ein Druck aufgebaut hat, die Schläuche, Verbindungsstücke und Komponenten langsam lockern.

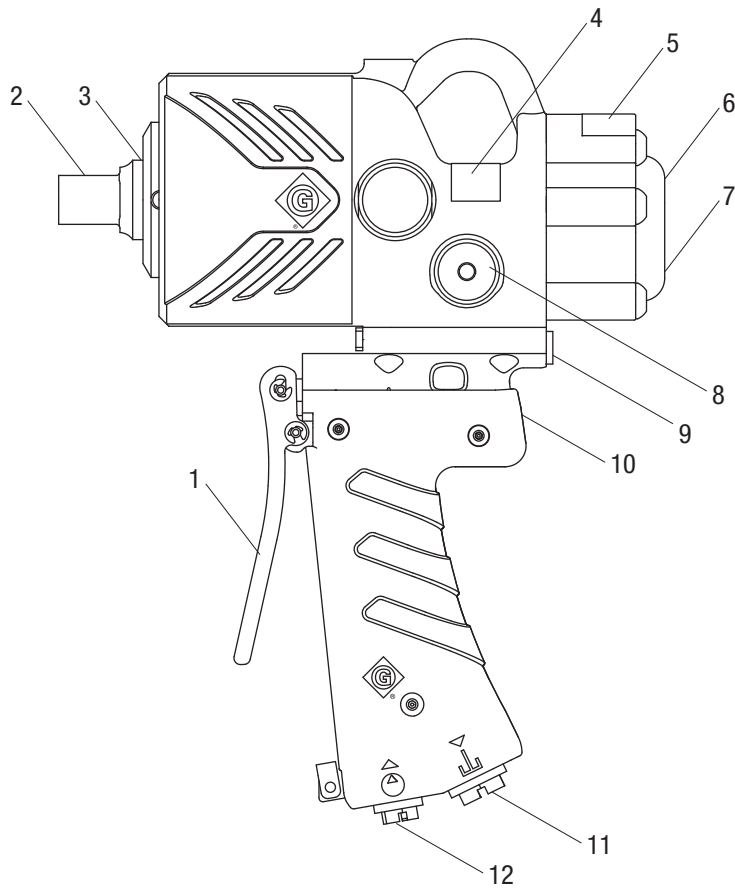
WICHTIG

Vorgang zur Notausschaltung:

1. Den Abzugshebel loslassen.
2. Die Hydraulik-Druckversorgung abstellen.

Hinweis: Sämtliche Etiketten sauber und lesbar halten und bei Bedarf ersetzen.

Bezeichnungen



- | | |
|---------------------------------|--|
| 1. Abzugshebel | 7. Seriennummer |
| 2. 3/4-Zoll-Vierkantspannfutter | 8. Umschalter (Umsteuerschieber) |
| 3. Bohrspindel | 9. Durchflusssteuerung |
| 4. Richtungsaufkleber | 10. OC/CC-Abzugshebel-Steuerschieber |
| 5. Warneufkleber | 11. Rückflussanschluss (Tankanschluss) |
| 6. Motorabdeckung | 12. Druckanschluss |

Technische Daten

Schlagschrauber

Art des Hydrauliksystems.....	Open-Center bzw. Closed-Center
Hydraulischer Druckanschluss.....	9/16–18 UNF SAE O-Ring Boss
Hydraulischer Rückflussanschluss.....	3/4–16 UNF SAE O-Ring Boss
Ausgangsleistung bei 30,3 l/min.	
Drehzahl (keine Last).....	2800
Schläge pro Minute (keine Last).....	1300
Drehmoment bei 37,8 l/min.	1742 Nm
Antriebsgröße	3/4" Innenvierkantantrieb
Vibrationslevel	15,3 m/s ²
Geräuschpegel	120 Dezibel
Masse/Gewicht	4,76 kg
Länge.....	236 mm
Breite	107 mm
Höhe.....	300 mm

Hydraulik-Druckversorgung

⚠️ WARNUNG

Die folgenden zulässigen Höchstwerte der Hydraulik-Druckversorgung nicht überschreiten:

- Hydraulikfluss: 46 l/min.
- Überdruck: 138 bar
- Staudruck: 13,8 bar

Das Nichtbeachten dieser Warnung kann zu schweren oder tödlichen Verletzungen führen.

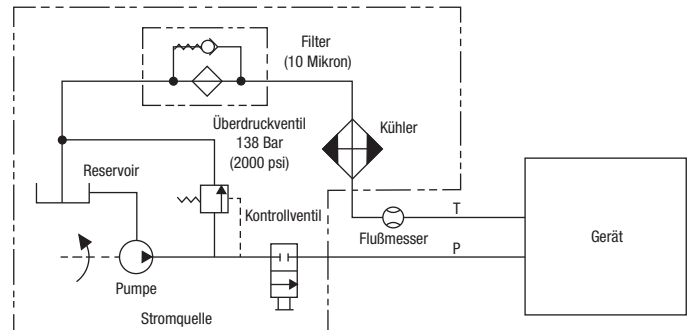
Art des Hydrauliksystems.....	Open-Center bzw. Closed-Center
Fluss	
Minimum	15,1 l/min.
Empfohlen	18,9 bis 30,3 l/min
Maximum	46 l/min.
Filterierung.....	10 Mikron (Nominalwert)
Überdruckeinstellung	138 Bar
Staudruck (Maximum*)	13,8 Bar

* 13,8 Bar ist die unter den Mitgliedern der „Hydraulic Tool Manufacturers Association“ (HTMA) vereinbarte Norm für den Staudruck. Werkzeuge von Greenlee Utility halten diese Norm ein, das heißt, sie funktionieren bei diesem Höchstwert zufriedenstellend.

Hydraulik-Druckversorgung (Fortsetzung)

1. Die maximale Temperatur der Hydraulikflüssigkeit darf nicht über 60 °C liegen. Daher ist eine ausreichende Ölkühlung zur Beschränkung dieser Temperatur notwendig.
2. Der Hydrauliköl-Durchfluss darf 46 l/min. nicht überschreiten. Bitte einen Flussmesser in die Rückflussleitung einbauen, um die Rate des Hydraulikflusses zu messen, bevor das Werkzeug in Betrieb genommen wird.
3. Die Einstellung des Überdruckventils darf 138 Bar während der Höchstflussrate des Werkzeugs nicht überschreiten. Das Überdruckventil im Ansaugkreis finden, um übermäßigen Hydraulikdruck auf das Werkzeug zu verhindern.

Hydraulik-Schaltplan



Empfohlene Hydraulikflüssigkeiten

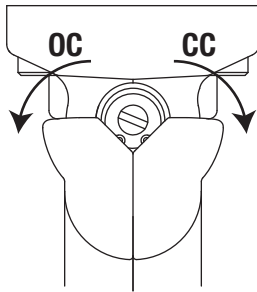
Es sollte eine nicht detergene, auf Petroleumbasis hergestellte Hydraulik-Flüssigkeit verwendet werden, die den folgenden technischen Daten bzw. den technischen Daten der „Hydraulic Tool Manufacturers Association“ entspricht.

S.U.S. @	
38 °C	140 bis 225
99 °C	mind. 40
Flammpunkt	mind. 170 °C
Stockpunkt	mind. -34 °C

Einstellung der Super Spool™

Dank der Super Spool kann dieses Gerät wahlweise für Open-Center- bzw. Closed-Center-Hydrauliksysteme eingesetzt werden.

1. Einen Schraubenzieher in die Vertiefung an der Spule einführen.
2. Bei Verwendung eines:
 - Open-Center-Hydrauliksystems die Super Spool bis zum Anschlag nach links (entgegen dem Uhrzeigersinn) drehen.
 - Closed-Center-Hydrauliksystems die Super Spool bis zum Anschlag nach rechts (im Uhrzeigersinn) drehen.



Installation und Entfernen der Zubehörteile

⚠️ WARNUNG

- Nur Zubehörteile verwenden, die für eine Schlaganwendung zugelassen sind. Zubehörteile, die nicht für Schlaganwendungen zugelassen sind, können beim Einsatz in Schlagwerkzeugen brechen.
- Die Zubehörteile vor dem Einsatz überprüfen. Zubehörteile, die Risse, Abblätterungen oder Einkerbungen aufweisen, entsorgen.

Das Nichtbeachten dieser Warnung kann zu schweren oder tödlichen Verletzungen führen.

Schlageinsätze und Schraubendrehereinsätze

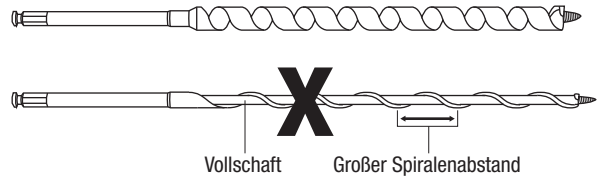
Greenlee Utility empfiehlt den Einsatz von Greenlee-Schlagbohrereinsätzen.

⚠️ WARNUNG

Einige Bohreinsätze können unter einer Seitenlast auspeitschen oder biegen.

- Keine Bohreinsätze mit langgedrallten Wendelbohrern.
- Bei dem Einsatz eines Schlageinsatzes den Stromfluss bei einem Minimum laufen lassen.

Das Nichtbeachten dieser Warnungen könnte zu schweren oder tödlichen Verletzungen führen.



1. Das Schnellwechsel-Bohrfutter (falls vorhanden) überprüfen. Gegebenenfalls Schmutz oder Materialreste entfernen.
2. Das Bohrfutter auf dem Werkzeug nach oben ziehen und den Adapter entfernen.
3. Den Bohreinsatz einsetzen und das Bohrfutter loslassen und zurückgleiten lassen.
4. Um den Bohreinsatz zu entfernen, das Bohrfutter auf dem Werkzeug nach oben ziehen und den Einsatz entfernen.

Schläuche und Verbindungsstücke

Installation und Wartung

Siehe Publikation 99930323, SAE J1273 (Schlauch und Schlauchbausätze).

Ersatzteile

Siehe Katalog von Greenlee Utility oder Greenlee Utility-Publikation 99910322, Schnellkupplungen, Adapter und Schläuche für Niederdruck.

⚠️ WARNUNG

Gerät, Schläuche und Verbindungsstücke nicht vom Gerät trennen, solange es an eine Druckversorgung angeschlossen oder das Hydrauliköl heiß ist. Heiße Hydraulikflüssigkeit könnte schwere Verbrennungen verursachen.

Schlauchverbindungen

Identifikation der Anschlüsse

Vergleichen Sie die Markierungen am Werkzeug mit denen dieser Tabelle.

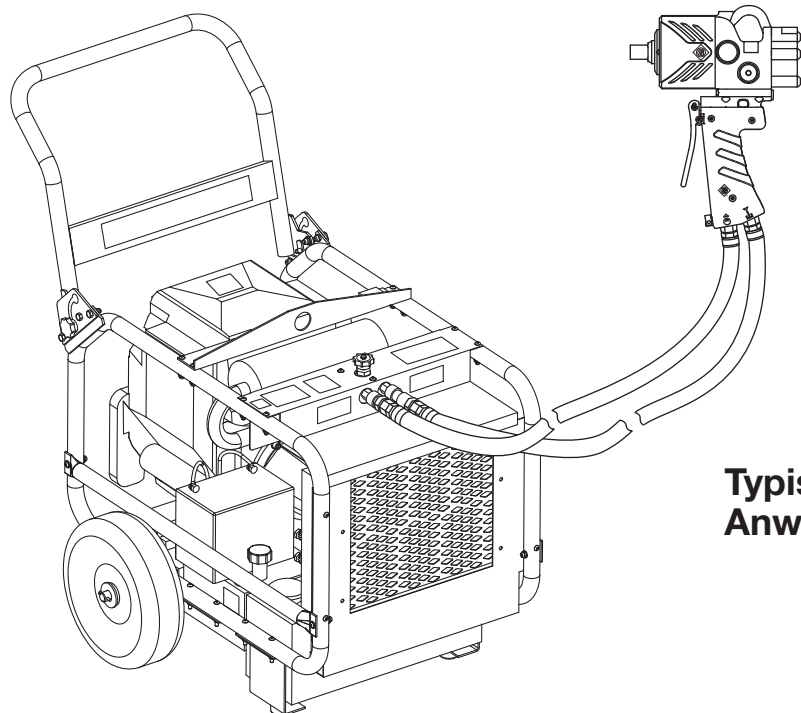
Druckanschluss	Rückflussanschluss
P	T
oder	
⬆️	⬇️

Schläuche anschließen

1. Den Flusshebel an der Hydraulik-Druckversorgung auf AUS stellen.
2. Die Hydraulik-Druckversorgung abstellen.
3. Den Rückflussschlauch zuerst an den Rückflussanschluss an der Hydraulik-Druckversorgung und dann an den Rückflussanschluss am Werkzeug anschließen.
4. Den Druckschlauch an den Druckanschluss am Werkzeug und zuletzt an den Druckanschluss an der Hydraulik-Druckversorgung anschließen.

Schläuche trennen

1. Den Flusshebel an der Hydraulik-Druckversorgung auf AUS stellen.
2. Die Hydraulik-Druckversorgung abstellen.
3. Den Druckschlauch zuerst von der Hydraulik-Druckversorgung und dann vom Werkzeug trennen.
4. Den Rückfluss-/Tankschlauch vom Werkzeug und zuletzt von der Hydraulik-Druckversorgung trennen.
5. Staubkappen über den Anschlussöffnungen anbringen, damit eine Verschmutzung vermieden wird.



Typische Anwendung

Einrichten

⚠️ WARNUNG

Die folgenden zulässigen Höchstwerte der Hydraulik-Druckversorgung nicht überschreiten:

- Hydraulikfluss: 46 l/min.
- Überdruck: 138 bar
- Staudruck: 13,8 bar

Das Nichtbeachten dieser Warnung kann zu schweren oder tödlichen Verletzungen führen.

⚠️ WARNUNG

Den Hydraulikfluss nicht umkehren. Der Betrieb bei umgekehrtem Hydraulikfluss kann zu Störungen im Gerät führen. Den Zufuhr- (Druck-) Schlauch und den Rückfuhr- (Tank-) Schlauch am geeigneten Anschluss anbringen.

Das Nichtbeachten dieser Warnung kann zu schweren oder tödlichen Verletzungen führen.

1. Die Hydraulik-Druckversorgung abstellen.
2. Gemäß den Anleitungen unter „Einsetzen und Entnehmen von Zubehörteilen“ ein Zubehörteil einsetzen.
3. Das Werkzeug gemäß Abschnitt „Schlauchverbindungen“ an die Druckversorgung anschließen.

Betrieb

⚠️ WARNUNG

Stromschlaggefahr:

Dieses Gerät ist nicht isoliert. Beim Betrieb dieser Einheit in der Nähe von erregten elektrischen Leitungen:

- dürfen nur zugelassene, nicht-leitende Schläuche und eine geeignete, persönliche Schutzausrüstung verwendet werden.
- sollten nur Hydraulikflüssigkeiten gewählt und erhalten werden, die den durch Ihre Sicherheitsabteilung erforderlichen dielektrischen Mindestnormen entsprechen.

Das Nichtbeachten dieser Warnung kann zu schweren oder tödlichen Verletzungen führen.



⚠️ WARNUNG

Hautinjektions-Gefahr:

- Undichte Stellen nicht mit der Hand prüfen.
- Bei eingeschalteter Druckversorgung den Schlauch bzw. die Verbindungsstücke nicht in der Hand halten.
- Vor der Wartung das Hydrauliksystem auf normalen Druck bringen.

Unter Druck stehendes Öl kann die Haut leicht punktieren, was zu Gangrän, schweren oder tödlichen Verletzungen führen kann. Bei einer Verletzung ist sofort ein Arzt aufzusuchen.



⚠️ WARNUNG

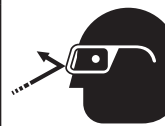
Am Gerät keine Zubehörteile wechseln, das Gerät nicht überprüfen oder reinigen, wenn es an eine Druckversorgung angeschlossen ist. Ein versehentliches Ingangsetzen des Geräts kann zu schweren Verletzungen führen.

Das Nichtbeachten dieser Warnung kann zu schweren oder tödlichen Verletzungen führen.

⚠️ WARNUNG

Beim Bedienen dieses Geräts stets einen Augenschutz tragen.

Absplittende Trümmer oder verspritztes Hydrauliköl könnten bei fehlendem Augenschutz schwere Augenverletzungen verursachen.



WICHTIG

Vorgang zur Notausschaltung:

1. Den Abzugshebel loslassen.
2. Die Hydraulik-Druckversorgung abstellen.

Betrieb (Fortsetzung)

- Die Hydraulik-Druckversorgung einschalten.
Hinweis: Die Druckversorgung einige Minuten lang laufen lassen, damit die Hydraulikflüssigkeit sich erwärmen kann.
- Der Umschalter (Umsteuerschieber) auf die entsprechende Position stellen (Vor- oder Rücklauf bzw. Links- oder Rechtslauf).

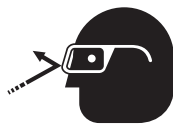
⚠ VORSICHT

Die Position des Umschalters (Umsteuerschiebers) nicht ändern, während das Werkzeug in Betrieb ist. Das Werkzeug muss vollkommen stillstehen, bevor die Richtung geändert wird.

Das Nichtbeachten dieser Vorsichtsmaßnahme kann zu Sachschäden führen.

- Den Griff fest umfassen. Die freie Hand entweder auf das Werkzeug legen oder den Zusatzgriff umfassen. Dadurch kann das Werkzeug während des Betriebs ausbalanciert werden.
- Zum Beginnen des Arbeitsvorgangs den Abzugshebel anziehen.
 Wenn sich nach 5 Sekunden Schlagbetrieb die Schraube, Mutter etc. nicht löst, mit dem Schlagbetrieb aufhören und die Schraube, Mutter etc. auf andere Weise entfernen. Ein fortgesetzter Schlagbetrieb verursacht einen starken Verschleiß am Schlagmechanismus.
- Um den Arbeitsgang zu beenden, den Abzugshebel loslassen.
- Wird das Werkzeug nicht verwendet, die Druckversorgung abstellen, um die Wärmeentwicklung sowie den Verschleiß der Komponenten zu reduzieren.

Wartung

	⚠ WARNUNG
	<p>Beim Bedienen dieses Geräts stets einen Augenschutz tragen.</p> <p>Absplitternde Trümmer oder verspritztes Hydrauliköl könnten bei fehlendem Augenschutz schwere Augenverletzungen verursachen.</p>

⚠ WARNUNG

Am Gerät keine Zubehörteile wechseln, das Gerät nicht überprüfen oder reinigen, wenn es an eine Druckversorgung angeschlossen ist. Ein versehentliches Ingangsetzen des Geräts kann zu schweren Verletzungen führen.

Das Nichtbeachten dieser Warnung kann zu schweren oder tödlichen Verletzungen führen.

Maximieren Sie mit Hilfe dieses Wartungsplans die Lebensdauer des Werkzeugs.

Hinweis:

- *Sämtliche Etiketten sauber und lesbar halten und bei Bedarf ersetzen.*
- *Die Entsorgung etwaiger Komponenten (Hydraulikschläuche, -flüssigkeit, verschlissene Teile usw.) muss in Übereinstimmung mit nationalen, regionalen und lokalen Gesetzen und Vorschriften erfolgen.*

Täglich

- Alle Oberflächen des Werkzeuges sauber abwischen.
- Die Hydraulikschläuche und -verbindungen auf Anzeichen von undichten Stellen, Abnutzungsrissen oder Schäden überprüfen. Falls notwendig, austauschen.
- Staubkappen über den Hydraulik-Anschlüssen anbringen, wenn das Werkzeug abgetrennt ist.

Monatlich

Eine gründliche Inspektion der Hydraulikschläuche und -verbindungen vornehmen, wie in Publikation 99930323, SAE J1273 (Schlauch und Schlauchbausätze) beschrieben.

Fehlersuche

Vor der Fehlersuche feststellen, ob das Problem im Werkzeug, den Schläuchen oder der Druckversorgung zu suchen ist. Werkzeuge, Schläuche und Druckversorgungsgeräte, deren Funktion sichergestellt ist, ersatzweise einsetzen, um das fehlerhafte Teil zu bestimmen.

Wenn das Problem am Werkzeug liegt, siehe nachfolgende Fehlersuchtablelle. Falls das Problem an der Druckversorgung liegt, siehe den Fehlersuch-Abschnitt in der Bedienungsanleitung der Druckversorgung.

Problem	Mögliche Ursache	Massnahme zur Behebung
Werkzeug funktioniert nicht.	Ungeeignete Druckversorgung.	Weitere Hinweise sind unter „Technische Daten“ zu finden. Sicherstellen, dass die Druckversorgung den Spezifikationen entspricht.
	Niedriger Hydraulikflüssigkeitspegel.	Flüssigkeitsstand kontrollieren. Das System auf undichte Stellen prüfen.
	Ungeeignete Viskosität der Hydraulikflüssigkeit.	Hinweise sind unter „Empfohlene Hydraulikflüssigkeiten“ im Abschnitt „Technische Daten“ zu finden.
Werkzeug arbeitet langsam oder ungleichmäßig.	Hydraulikflüssigkeit kalt.	Flüssigkeit auf die Betriebstemperatur erwärmen lassen. Das Werkzeug mehrmals ein- und ausschalten, um die Aufwärmzeit zu reduzieren.
	Die Schläuche sind verkehrt herum am Werkzeug angebracht.	Das Hydrauliksystem auf normalen Druck bringen. Die Schlauchverbindungen umkehren.
	Druckversorgung schlecht eingestellt.	Siehe Bedienungsanleitung der Druckversorgung für Anweisungen zur Einstellung der Flussrate und des Drucks. Flussrate und Druck auf die Anforderungen des Werkzeugs einstellen.
	Luft im Hydrauliksystem.	Luft gemäß Herstellerhinweisen der Druckversorgung aus dem Hydrauliksystem entweichen lassen.
	Ungeeignete Viskosität der Hydraulikflüssigkeit.	Hinweise hierzu sind unter „Empfohlene Hydraulikflüssigkeiten“ im Abschnitt „Technische Daten“ zu finden.
Werkzeug ist heiß.	Niedriger Hydraulikflüssigkeitspegel.	Flüssigkeitsstand kontrollieren. Das System auf undichte Stellen prüfen.
	Ungeeignete Viskosität der Hydraulikflüssigkeit.	Hinweise hierzu sind unter „Empfohlene Hydraulikflüssigkeiten“ im Abschnitt „Technische Daten“ zu finden.
	Hydraulikflüssigkeit verschmutzt.	Flüssigkeit aus dem Behälter ablassen, ausspülen und mit sauberer Flüssigkeit auffüllen. Filter wechseln.

Zubehörteile

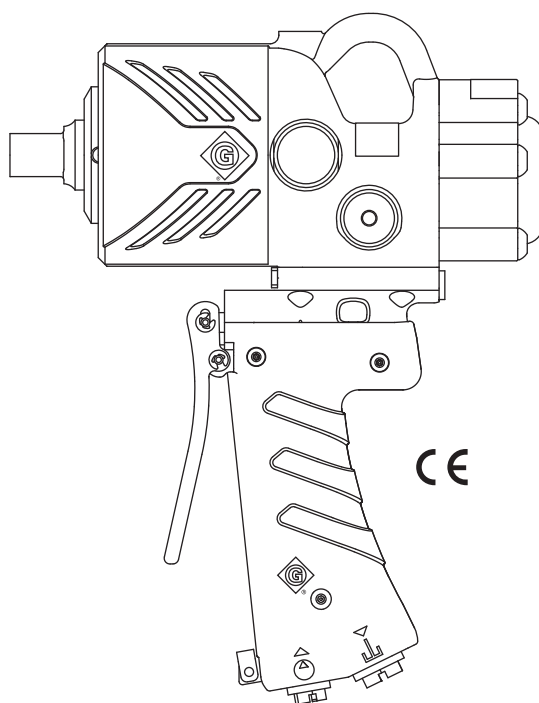
Adapter, Schlagbohrereinsätze und Stecknüsse sind über den Greenlee Utility-Fachhändler erhältlich. Eine vollständige Liste der Zubehörteile ist in unserem Katalog oder auf unserer Website unter www.greenlee.com zu finden.



4455 Boeing Drive • Rockford, IL 61109-2988 • USA • 815-397-7070
 An ISO 9001 Company • Greenlee Textron Inc. is a subsidiary of Textron Inc.

USA	Canada	International
Tel: 800-435-0786	Tel: 800-435-0786	Tel: +1-815-397-7070
Fax: 800-451-2632	Fax: 800-524-2853	Fax: +1-815-397-9247
www.greenlee.com		

MANUALE OPERATIVO



Chiave a urto HW3

Codice seriale BBF



Prima di usare questa unità, o di eseguirne la manutenzione, **leggere** e **comprendere** tutte le istruzioni e le informazioni sulla sicurezza contenute nel presente manuale.

Registrare il prodotto al sito www.greenlee.com

Indice

Descrizione.....	50
Sicurezza.....	50
Scopo di questo manuale.....	50
Altre pubblicazioni.....	50
Importanti informazioni per la sicurezza.....	51-53
Identificazione.....	54
Specifiche.....	55
Installazione di Super Spool™.....	56
Installazione e rimozione degli accessori.....	56
Tubi flessibili ed attacchi.....	57
Installazione tipica.....	57
Collegamenti dei tubi flessibili.....	57
Installazione.....	58
Funzionamento.....	58-59
Manutenzione.....	59
Soluzione guasti.....	60
Accessori.....	60

Descrizione

La chiave a urto Greenlee Utility HW3 è intesa per l'uso con zoccoli, punte di cacciavite e punte da legno di tipo a urto. La gamma della pressione d'esercizio per tutti i modelli va da 68,9 a 138 bar (da 1000 a 2000 psi).

Le funzioni includono:

- Bobina direzionale per il funzionamento avanti o indietro
- Manico isolato per garantire all'operatore una presa comoda
- Copri impugnature Cool Grip™ anti urto e resistenti al calore
- Super Spool™ da usare su un impianto idraulico a centro aperto o a centro chiuso
- Controllo di flusso compensato per prevenire l'accelerazione a flussi elevati

Sicurezza

La sicurezza è essenziale per l'uso e la manutenzione degli attrezzi e delle apparecchiature Greenlee. Questo manuale delle istruzioni e tutte le indicazioni sull'attrezzo forniscono le informazioni necessarie per evitare pericoli e modi d'uso non sicuri relativi a questo attrezzo. Attenersi sempre a tutte le istruzioni per la sicurezza fornite.

Scopo di questo manuale

Il presente manuale è concepito per consentire al personale di prendere dimestichezza con le operazioni di sicurezza e le procedure di manutenzione per la seguente chiave idraulica a urto Greenlee Utility:

HW3 Codice seriale BBF

Tenere questo manuale a disposizione di tutto il personale.

Altre copie di questo manuale sono disponibili gratuitamente su richiesta al sito www.greenlee.com.

Altre pubblicazioni

Proprietari/Utenti dell'unità

Standard SAE J1273 (Tubo flessibile e gruppi del tubo):
Pubblicazione 99930323

Centri di servizio autorizzati Greenlee Utility

Manuale per la riparazione: Pubblicazione 52063856

Tutte le specifiche sono nominali e potrebbero cambiare man mano che si apportano migliorie al design. La Greenlee Textron Inc. non sarà responsabile di eventuali danni risultanti dall'errata applicazione o dall'uso improprio dei suoi prodotti.

Cool Grip e Super Spool sono marchi di Textron Innovations Inc.
Super Spool è protetto dal brevetto statunitense N. 4548229.

CONSERVARE QUESTO MANUALE

IMPORTANTI INFORMAZIONI PER LA SICUREZZA



SIMBOLO DI ALLERTA PER LA SICUREZZA

Questo simbolo viene usato per richiamare l'attenzione dell'utente su pericoli e modi di operare non sicuri, che potrebbero causare infortuni a persone o danni alle cose. I termini usati, descritti di seguito, indicano il livello di gravità del pericolo. Il messaggio dopo la parola fornisce le informazioni per impedire o evitare il pericolo.

⚠ PERICOLO

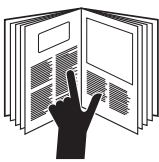
Pericoli immediati, che, se non evitati, CAUSERANNO gravi infortuni a persone o la morte.

⚠ AVVERTENZA

Pericoli che, se non evitati, POTREBBERO causare gravi infortuni a persone o la morte.

⚠ ATTENZIONE

Pericoli o modi di operare non sicuri che, se non evitati, POSSONO causare infortuni a persone o danni alle cose.



⚠ AVVERTENZA

Prima di usare questa unità, o di eseguirne la manutenzione, leggere e comprendere tutte le istruzioni e le informazioni sulla sicurezza contenute nel presente manuale.

L'inosservanza di questa avvertenza potrebbe causare gravi infortuni o la morte.

⚠ AVVERTENZA

Pericolo di scossa elettrica:

Questo attrezzo non è isolato. Quando questa unità viene usata vicino a linee elettriche eccitate:

- Usare solamente tubi flessibili certificate come non conduttivi e adeguate attrezzature di protezione personale.
- Selezionare e mantenere l'olio idraulico in modo da soddisfare i requisiti minimi dielettrici dettati dal proprio reparto di sicurezza.

L'inosservanza di questa avvertenza potrebbe causare gravi infortuni o la morte.



⚠ AVVERTENZA

Pericolo di infiltrazione sotto la pelle:

- Non usare le mani per controllare la presenza di perdite.
- Non tenere in mano il tubo flessibile o gli accoppiatori con l'impianto elettrico pressurizzato.
- Depressurizzare l'impianto idraulico prima di eseguire un intervento di manutenzione.

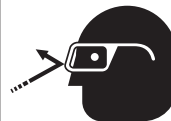
l'olio sotto pressione perfora facilmente la pelle, causando gravi infortuni, cancrena o la morte. In caso di infortunio causato da fuoriuscita d'olio, consultare immediatamente un medico.




⚠ AVVERTENZA

Indossare occhiali di protezione quando si usa questo attrezzo o quando se ne esegue la manutenzione.

Il mancato utilizzo della protezione per gli occhi potrebbe causare gravi infortuni provocati da detriti vaganti o dall'olio idraulico.




IMPORTANTI INFORMAZIONI PER LA SICUREZZA

	⚠ AVVERTENZA
	Indossare cuffie protettive per l'udito durante l'uso di questo attrezzo. L'inosservanza di questa avvertenza potrebbe causare gravi infortuni.

⚠ AVVERTENZA
La polvere creata da sabbiatrici, seghe, levigatrici, trapani e altre attività edilizie contiene sostanze note allo Stato della California come causa di cancro, difetti di nascita o altri danni al sistema riproduttivo. Seguono alcuni esempi di queste sostanze chimiche: <ul style="list-style-type: none">• Piombo da vernici a base di piombo• Silice cristallina da mattoni e cemento e altri prodotti per muratura• Arsenico e cromo da legname trattato chimicamente. Al fine di ridurre l'esposizione a queste sostanze chimiche: operare in un ambiente ben ventilato, con attrezzatura di protezione approvata, quale ad esempio mascherine antipolvere concepite in modo specifico per filtrare particelle microscopiche.

⚠ AVVERTENZA
<ul style="list-style-type: none">• Usare solo accessori approvati per l'uso a urto. Accessori non approvati all'uso si possono rompere se usati con attrezzo a urto.• Ispezionare gli accessori prima dell'uso. Eliminare gli accessori che presentano incrinature, scheggiature o intagli. L'inosservanza di questa avvertenza potrebbe causare gravi infortuni o la morte.

⚠ AVVERTENZA
<ul style="list-style-type: none">• Tenersi a distanza dalle parti rotanti dell'attrezzo in funzione. Il contatto con le parti rotanti può causare gravi lesioni.• Non cambiare gli accessori e non ispezionare o pulire l'attrezzo quando questo è collegato ad un alimentatore. L'avvio accidentale può causare gravi infortuni.• Mantenere sempre una salda presa sull'attrezzo con entrambe le mani. Il mancato controllo dell'attrezzo può causare all'operatore gravi infortuni.• Non bloccare il grilletto nella posizione di alimentazione (ON). L'operatore non può arrestare l'attrezzo se tale meccanismo è bloccato. L'inosservanza di queste avvertenze potrebbe causare gravi infortuni personali o la morte.

	⚠ AVVERTENZA
	L'attrezzo e gli accessori possono essere molto caldi durante e dopo l'uso. Il contatto con superfici molto calde può causare gravi infortuni.

⚠ AVVERTENZA
Non superare i seguenti valori massimi della fonte di alimentazione idraulica: <ul style="list-style-type: none">• Flusso idraulico: 46 l/min (12 gpm)• Limitazione della pressione: 138 bar (2000 psi)• Contropressione: 13,8 bar (200 psi) L'inosservanza di questa avvertenza potrebbe causare gravi infortuni o la morte.

⚠ AVVERTENZA
Non scollegare l'attrezzo, i tubi flessibili o gli attacchi mentre la fonte di alimentazione è attivata o se l'olio idraulico è molto caldo. Fluido idraulico molto caldo potrebbe causare gravi ustioni.

IMPORTANTI INFORMAZIONI PER LA SICUREZZA

⚠ AVVERTENZA

Non invertire il flusso idraulico. L'uso della pompa con il flusso idraulico invertito può causare il guasto dell'attrezzo. Collegare il tubo di alimentazione (pressione) ed il tubo di ritorno (serbatoio) alle appropriate aperture sull'attrezzo.

L'inosservanza di questa avvertenza potrebbe causare gravi infortuni o la morte.

⚠ ATTENZIONE

- In sede di manipolazione, rimozione e installazione delle punte da trapano, indossare guanti di protezione. Le punte da trapano possono tagliare anche quando sono ferme.
- Ispezionare l'attrezzo prima dell'uso. Sostituire eventuali parti consumate o danneggiate. Se l'attrezzo risulta danneggiato o assemblato in maniera incorretta, si possono causare lesioni a persone.
- Ispezionare i tubi idraulici e i giunti ogni giorno prima dell'utilizzo. Riparare o sostituire l'attrezzo in presenza di segni evidenti di perdite, incrinature, usura o danni. Tubi o giunti danneggiati possono rompersi, causando infortuni a persone o danni alle cose.
- Usare questo attrezzo solamente per lo scopo prescritto dalla casa produttrice. L'uso diverso da quello indicato nel presente manuale potrebbe causare infortuni a persone o danni alle cose.
- Verificare che non vi siano astanti nell'area di lavoro durante il maneggiamento, l'avvio e l'uso dell'attrezzo. In caso di guasto dell'attrezzo, questi potrebbero infatti venire colpiti da detriti o da parti lanciate in aria dall'attrezzo.

⚠ ATTENZIONE

L'esposizione prolungata a vibrazioni o movimenti ripetuti della mano e del braccio possono causare lesioni. Interrompere l'uso dell'attrezzo qualora si riscontri disagio, formicolio o dolore. Prima di riutilizzare l'attrezzo consultare un medico.

IMPORTANTE

Procedura per il collegamento o lo scollegamento di tubi idraulici flessibili, attacchi o componenti:

1. Spostare in posizione OFF (chiusa) la leva del flusso sull'alimentatore.
2. Arrestare l'alimentatore idraulico.
3. Per evitare l'accumulo di pressione, seguire la procedura indicata in Collegamenti dei tubi flessibili. Nel caso si sia verificato un certo accumulo di pressione, lentamente, allentare i tubi flessibili, gli attacchi o i componenti.

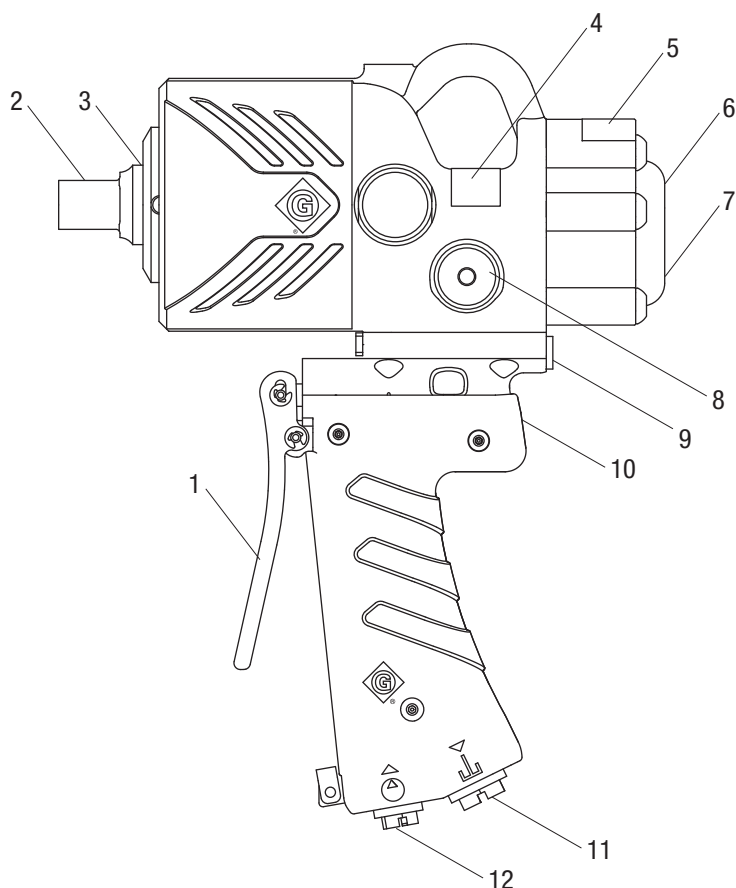
IMPORTANTE

Procedura di arresto di emergenza:

1. Rilasciare il meccanismo di sicurezza.
2. Chiudere la fonte idroelettrica.

Nota: accertarsi che tutte le etichette adesive siano pulite e leggibili, sostituirle se necessario.

Identificazione



- | | |
|----------------------------|--|
| 1. Meccanismo di sicurezza | 7. Bobina di sicurezza centro aperto/centro chiuso |
| 2. Morsa quadrata da 3/4" | 8. Bobina di direzione |
| 3. Gambo a spinta | 9. Controllo flusso |
| 4. Etichetta direzionale | 10. OC/CC Trigger Spool |
| 5. Etichette di avvertenza | 11. Apertura ritorno (serbatoio) |
| 6. Cappuccio motore | 12. Apertura pressione |

Specifiche

Avvitatrice a urto

Tipo di sistema idraulico	A centro aperto o a centro chiuso
Apertura pressione idraulica.....	Borchia con O-ring 9/16-18 UNF
Apertura di ritorno idraulico.....	Borchia con O-ring 3/4-16 UNF
Uscita a 30,3 l/min (8 gpm)	
RPM (nessun carico)	2800
Impatti al minuto (nessun carico)	1300
Coppia a 37,8 l/min (10 gpm)	1742 Nm (1285 ft-lb)
Dimensioni trasmissione	Trasmissione quadrata da 0,75 pollici
Livello vibrazioni	15,3 m/s ²
Livello rumore	120 Lwa
Massa/Peso.....	4,76 kg
Lunghezza	236 mm (9,3 pollici)
Larghezza	107 mm (4,2 pollici)
Altezza	300 mm (11,8 pollici)

Fonte di alimentazione idraulica

⚠ AVVERTENZA

Non superare i seguenti valori massimi della fonte di alimentazione idraulica:

- Flusso idraulico: 46 l/min (12 gpm)
- Limitazione della pressione: 138 bar (2000 psi)
- Contropressione: 13,8 bar (200 psi)

L'inosservanza di questa avvertenza potrebbe causare gravi infortuni o la morte.

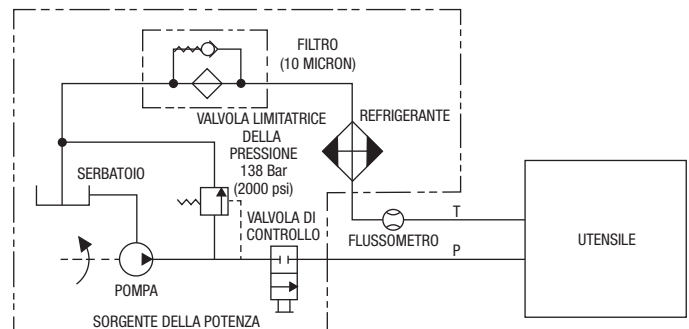
Tipo di sistema idraulico	A centro aperto o a centro chiuso
Flusso	
Minimo	15,1 l/min (4 gpm)
Valore consigliato	da 18,9 a 30,3 l/min (da 5 a 8 gpm)
Massimo.....	46 l/min (12 gpm)
Filtrazione	10 Micron (nominale)
Impostazione di limitazione della pressione.....	138 bar (2000 psi)
Contropressione (massimo*)	13,8 bar (200 psi)

* 13,8 bar (200 psi) è la contropressione massima concordata dalla HTMA (Associazione dei produttori di attrezzi idraulici). L'attrezzo Greenlee Utility funziona in modo soddisfacente a questo standard.

Fonte di alimentazione idraulica (continua)

1. La temperatura massima del fluido idraulico non deve superare i 60 °C (140 °F). Per limitare la temperatura dell'olio idraulico, occorre una capacità di raffreddamento dell'olio sufficiente.
2. Il flusso idraulico non deve superare i 46 l/min (12 gpm). Installare un flussometro nella linea di ritorno al fine di misurare il tasso del flusso idraulico prima di utilizzare l'attrezzo.
3. La valvola limitatrice della pressione deve essere regolata su un valore non superiore a 138 bar (2000 psi) al flusso massimo dell'attrezzo. Ubicare la valvola limitatrice della pressione nel circuito di alimentazione per limitare l'eccesso di pressione idraulica sull'attrezzo.

Schema del circuito idraulico



Fluidi idraulici consigliati

Usare un olio idraulico non detergente a basi di petrolio che soddisfi le specifiche seguenti o le specifiche HTMA.

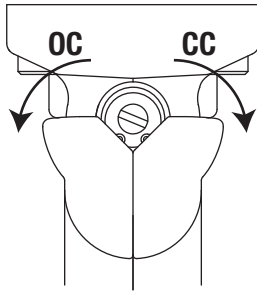
S.U.S a:

38 °C (100 °F).....	da 140 a 225
99 °C (210 °F).....	40 minimo
Punto di infiammabilità.....	170 °C (340 °F) minimo
Punto di scorrimento.....	-34 °C (-30 °F) minimo

Installazione di Super Spool™

Il prodotto Super Spool consente di usare l'attrezzo su impianti idraulici a centro aperto o a centro chiuso.

1. Inserire un cacciavite nell'incasso della bobina.
2. In caso di utilizzo:
 - Dell'impianto idraulico a centro aperto, ruotare la Super Spool in senso antiorario fin quando si arresta.
 - Dell'impianto idraulico a centro chiuso, ruotare la Super Spool in senso orario fin quando si arresta.



Installazione e rimozione degli accessori

⚠ AVVERTENZA

- Usare solo accessori approvati per l'uso a urto. Accessori non approvati all'uso si possono rompere se usati con attrezzo a urto.
- Ispezionare gli accessori prima dell'uso. Eliminare gli accessori che presentano incrinature, scheggiature o intagli.

L'inosservanza di questa avvertenza potrebbe causare gravi infortuni o la morte.

Punte a urto e punte per cacciavite

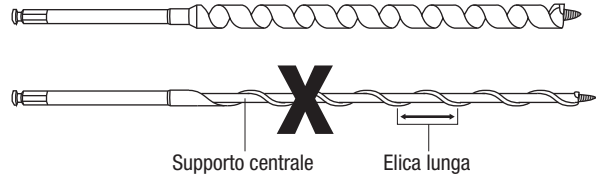
Greenlee Utility consiglia di usare punte Greenlee di tipo a urto.

⚠ AVVERTENZA

Alcune punte possono sbattere o piegarsi sotto un carico laterale.

- Non usare punte con una spirale lunga e un supporto centrale.
- Quando si usa una punta a urto, azionare la fonte di alimentazione al flusso minimo.

L'inosservanza di queste avvertenze potrebbe causare gravi infortuni personali o la morte.



1. Ispezionare la morsa a cambio rapido, se in dotazione. Rimuovere sporco ed altre sostanze contaminanti.
2. Far scorrere il mandrino e tenerlo lontano dall'attrezzo; rimuovere l'adattatore.
3. Inserire la punta del trapano nell'attrezzo e rilasciare il mandrino.
4. Per togliere la punta del trapano, far scorrere il mandrino e tenerlo lontano dall'attrezzo; rimuovere la punta.

Tubi flessibili ed attacchi

Installazione e manutenzione

Consultare la pubblicazione 99930323, SAE J1273 (tubo flessibile e gruppi di tubi).

Ricambi

Consultare il catalogo Greenlee Utility o la pubblicazione 99910322, "Giunti, adattatori e tubi flessibili a bassa pressione".

⚠ AVVERTENZA

Non scollegare l'attrezzo, i tubi flessibili o gli attacchi mentre la fonte di alimentazione è attivata o se l'olio idraulico è molto caldo. Fluido idraulico molto caldo potrebbe causare gravi ustioni.

Collegamenti dei tubi flessibili

Identificazione dell'apertura dell'attrezzo

Confrontare le indicazioni sul proprio attrezzo con questa tabella.

Apertura della pressione	Apertura di ritorno
P	T
o	
▲	⏏

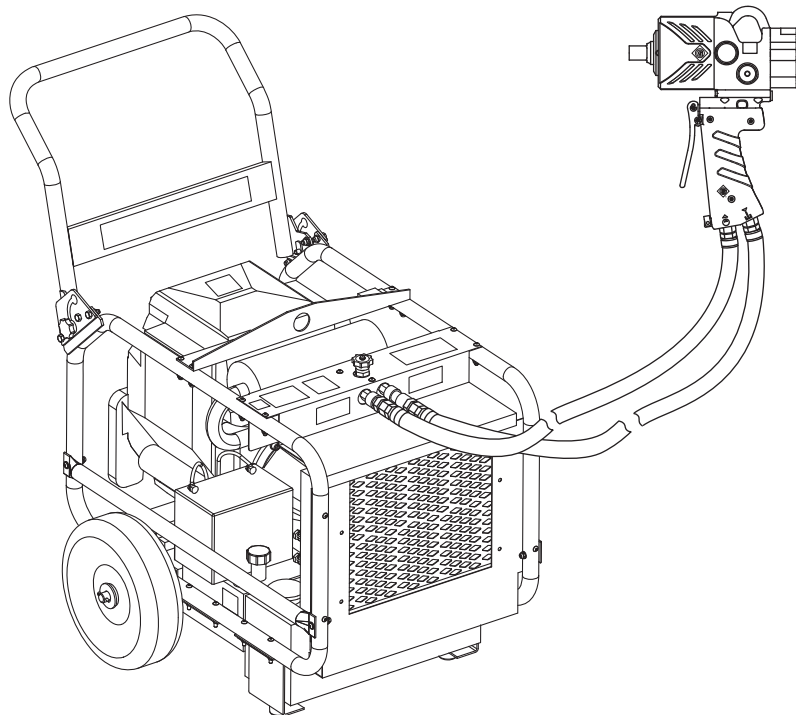
Collegamento dei tubi flessibili

1. Spostare in posizione OFF (chiusa) la leva del flusso sull'alimentatore.
2. Arrestare l'alimentatore idraulico.
3. Collegare il tubo di ritorno all'apertura di ritorno sulla fonte di alimentazione, quindi all'apertura di ritorno sull'attrezzo.
4. Collegare il tubo della pressione all'apertura della pressione sull'attrezzo, quindi all'apertura della pressione sulla fonte di alimentazione.

Scollegamento dei tubi flessibili

1. Spostare in posizione OFF (chiusa) la leva del flusso sull'alimentatore.
2. Arrestare l'alimentatore idraulico.
3. Scollegare il tubo flessibile della pressione dalla fonte di alimentatore, quindi dall'attrezzo.
4. Scollegare il tubo di ritorno dall'attrezzo, quindi dalla fonte di alimentazione.
5. Per evitare la contaminazione, installare sulle aperture i tappi di protezione contro la polvere.

Installazione tipica



Installazione

⚠ AVVERTENZA

Non superare i seguenti valori massimi della fonte di alimentazione idraulica:

- Flusso idraulico: 46 l/min (12 gpm)
- Limitazione della pressione: 138 bar (2000 psi)
- Contropressione: 13,8 bar (200 psi)

L'inosservanza di questa avvertenza potrebbe causare gravi infortuni o la morte.

⚠ AVVERTENZA

Non invertire il flusso idraulico. L'uso della pompa con il flusso idraulico invertito può causare il guasto dell'attrezzo. Collegare il tubo di alimentazione (pressione) ed il tubo di ritorno (serbatoio) alle appropriate aperture sull'attrezzo.

L'inosservanza di questa avvertenza potrebbe causare gravi infortuni o la morte.

1. Arrestare l'alimentatore idraulico.
2. Installare un accessorio attenendosi alle istruzioni contenute nella sezione "Installazione e rimozione degli accessori".
3. Collegare l'attrezzo alla fonte di alimentatore attenendosi alle istruzioni contenute nella sezione "Collegamenti dei tubi flessibili".

Funzionamento

⚠ AVVERTENZA

Pericolo di scossa elettrica:

Questo attrezzo non è isolato. Quando questa unità viene usata vicino a linee elettriche eccitate:

- Usare solamente tubi flessibili certificate come non conduttivi e adeguate attrezzature di protezione personale.
- Selezionare e mantenere l'olio idraulico in modo da soddisfare i requisiti minimi dielettrici dettati dal proprio reparto di sicurezza.

L'inosservanza di questa avvertenza potrebbe causare gravi infortuni o la morte.



⚠ AVVERTENZA

Pericolo di infiltrazione sotto la pelle:

- Non usare le mani per controllare la presenza di perdite.
- Non tenere in mano il tubo flessibile o gli accoppiatori con l'impianto elettrico pressurizzato.
- Depressurizzare l'impianto idraulico prima di eseguire un intervento di manutenzione.

l'olio sotto pressione perfora facilmente la pelle, causando gravi infortuni, cancrena o la morte. In caso di infortunio causato da fuoriuscita d'olio, consultare immediatamente un medico.



⚠ AVVERTENZA

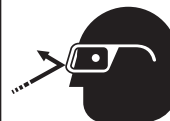
Non cambiare gli accessori e non ispezionare o pulire l'attrezzo quando questo è collegato ad un alimentatore. L'avvio accidentale può causare gravi infortuni.

L'inosservanza di questa avvertenza potrebbe causare gravi infortuni o la morte.

⚠ AVVERTENZA

Indossare occhiali di protezione quando si usa questo attrezzo o quando se ne esegue la manutenzione.

Il mancato utilizzo della protezione per gli occhi potrebbe causare gravi infortuni provocati da detriti vaganti o dall'olio idraulico.



Funzionamento (continua)
IMPORTANTE

Procedura di arresto di emergenza:

1. Rilasciare il meccanismo di sicurezza.
2. Chiudere la fonte idroelettrica.

1. Avviare l'alimentatore.

Nota: attivare la fonte di alimentazione per alcuni minuti per consentire il riscaldamento del fluido idraulico.

2. Regolare la bobina di direzione sulla posizione desiderata (in avanti o all'indietro).

⚠ATTENZIONE

Non cambiare la posizione della bobina di direzione con l'attrezzo in funzione. Prima di cambiare direzione, fermare l'attrezzo.

L'inosservanza di questa precauzione può causare danni alle cose.

3. Afferrare l'impugnatura. Poggiare l'altra mano sulla sommità dell'attrezzo o sull'impugnatura ausiliaria. Così facendo si mantiene il controllo durante il funzionamento dell'attrezzo.
4. Per avviare l'attrezzo, stringere il meccanismo di scatto.
Se 5 secondi di funzionamento a urto non allentano un bullone, un dado, ecc. interrompere l'operazione e passare ad un altro metodo per la rimozione. L'impatto continuato può causare grave usura sul meccanismo.
5. Per arrestare l'attrezzo, rilasciare il meccanismo di scatto.
6. Quando l'attrezzo non viene usato, arrestare la fonte di alimentazione per ridurre il calore e l'usura sui componenti dell'attrezzo.

Manutenzione
⚠AVVERTENZA


Indossare occhiali di protezione quando si usa questo attrezzo o quando se ne esegue la manutenzione.

Il mancato utilizzo della protezione per gli occhi potrebbe causare gravi infortuni provocati da detriti vaganti o dall'olio idraulico.

⚠AVVERTENZA

Non cambiare gli accessori e non ispezionare o pulire l'attrezzo quando questo è collegato ad un alimentatore. L'avvio accidentale può causare gravi infortuni.

L'inosservanza di questa avvertenza potrebbe causare gravi infortuni o la morte.

Per garantire la massima vita utile dell'attrezzo, attenersi a questo programma di manutenzione.

Nota:

- *Accertarsi che tutte le etichette adesive siano pulite e leggibili, sostituirle se necessario.*
- *Al momento di smaltire dei componenti (tubi idraulici, fluido idraulico, parti usurate, ecc.), attenersi alle leggi federali, statali o locali vigenti o alle ordinanze.*

Quotidianamente

1. Pulire tutte le superfici dell'attrezzo.
2. Ispezionare i flessibili ed i raccordi idraulici per accertare l'assenza di perdite, incrinature, usura o danni. Sostituire secondo necessità.
3. Quando l'attrezzo non è collegato, installare sulle aperture i tappi di protezione contro la polvere.

Mensilmente

Eseguire un'ispezione completa dei flessibili e dei raccordi idraulici, come spiegato nella pubblicazione 99930323, SAE J1273 (Tubo flessibile e gruppi del tubo).

Soluzione guasti

Prima di tentare di risolvere un problema, determinare se il problema risiede nell'attrezzo, nei tubi flessibili o nell'alimentatore. Usare un attrezzo, tubi flessibili o una fonte di alimentatore di cui si conosce il corretto funzionamento in sostituzione del corrispondente componente non funzionante.

Se il problema risiede nell'attrezzo, consultare la tabella della soluzione guasti inclusa in questo manuale. Se il problema risale all'alimentatore, consultare la sezione per la soluzione guasti nel manuale corrispondente.

Problema	Probabile causa	Probabile rimedio
L'attrezzo non funziona.	Alimentatore inadeguato.	Consultare le "Specifiche". Verificare che l'alimentatore soddisfi le specifiche dell'attrezzo.
	Basso livello del fluido idraulico.	Controllare il livello del fluido. Controllare il sistema per eventuali perdite.
	La viscosità del fluido idraulico non è quella corretta.	Consultare "Fluidi idraulici consigliati" nella sezione "Specifiche".
L'attrezzo funziona lentamente e in modo discontinuo.	Il fluido idraulico è freddo.	Attendere che l'olio idraulico si riscaldi alla temperatura d'esercizio. Azionare ad intermittenza l'attrezzo per ridurre i tempi di riscaldamento.
	I collegamenti dei tubi flessibili sono invertiti.	Depressurizzare l'impianto idraulico. Invertire i collegamenti dei tubi flessibili.
	L'alimentatore non è regolato correttamente.	Consultare il manuale dell'operatore dell'alimentatore per regolare il flusso e la pressione. Regolare il flusso e la pressione in corrispondenza con l'attrezzo.
	Aria nell'impianto idraulico.	Consultare le istruzioni del produttore della fonte di alimentazione su come rimuovere l'aria dal sistema.
	La viscosità del fluido idraulico non è quella corretta.	Consultare "Fluidi idraulici consigliati" nella sezione "Specifiche".
L'attrezzo è molto caldo al tatto.	Basso livello del fluido idraulico.	Controllare il livello del fluido. Controllare il sistema per eventuali perdite.
	La viscosità del fluido idraulico non è quella corretta.	Consultare "Fluidi idraulici consigliati" nella sezione "Specifiche".
	Il fluido idraulico è sporco.	Spurgare il serbatoio, sciacquarlo e riempirlo di fluido pulito. Cambiare il filtro.

Accessori

Adattatori, punte a urto e zoccoli sono disponibili presso il proprio rivenditore Greenlee Utility di zona. Per un elenco di accessori completo, consultare il nostro catalogo o visitare il vostro sito Web all'indirizzo www.greenlee.com.



4455 Boeing Drive • Rockford, IL 61109-2988 • USA • 815-397-7070
An ISO 9001 Company • Greenlee Textron Inc. is a subsidiary of Textron Inc.

USA	Canada	International
Tel: 800-435-0786	Tel: 800-435-0786	Tel: +1-815-397-7070
Fax: 800-451-2632	Fax: 800-524-2853	Fax: +1-815-397-9247
www.greenlee.com		