

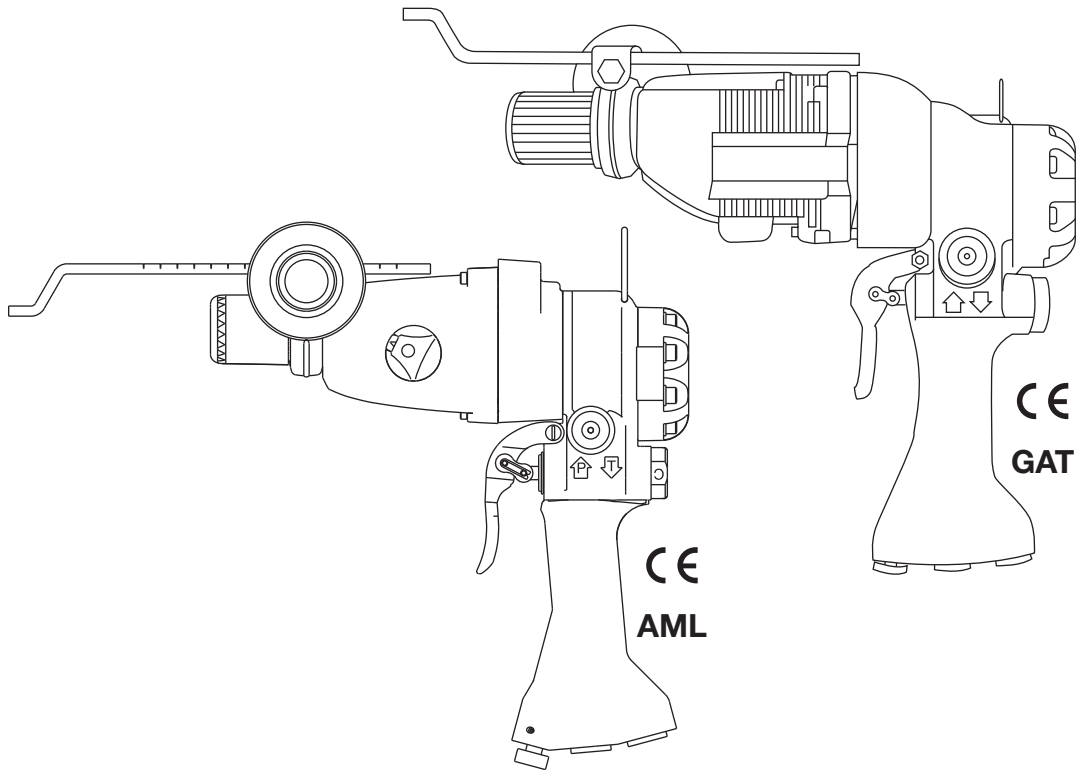
SERVICE MANUAL



GREENLEE®

UTILITY

A Textron Company



HID6506

Rotary Impact Drill

Serial Codes AML and GAT



Read and understand all of the instructions and safety information in this manual before operating or servicing this tool.

Register this product at www.greenlee.com

Table of Contents

Safety	2
Purpose of this Manual	2
Other Publications	2
Important Safety Information	3-4
Disassembly	5-6
Inspection	7
Assembly	7-9
Illustrations and Parts Lists	10-15

Safety

Safety is essential in the use and maintenance of Greenlee Utility tools and equipment. This service manual and any markings on the tool provide information for avoiding hazards and unsafe practices related to the use of this tool. Observe all of the safety information provided.

Purpose of this Manual

This manual is intended to familiarize personnel with the safe service procedures for the following Greenlee Utility tools:

HID6506 (42309) Rotary Impact Drill
Serial Codes AML and GAT

Keep this manual available to all personnel.

Replacement manuals are available upon request at no charge at www.greenlee.com.

Other Publications

Operation Manual: Publication 99940116

SAE Standard J1273 (Hose and Hose Assemblies):
Publication 99930323

All specifications are nominal and may change as design improvements occur. Greenlee Textron Inc. shall not be liable for damages resulting from misapplication or misuse of its products. Super Spool is a trademark of Greenlee Textron Inc. Loctite is a registered trademark of Henkel Corporation.

KEEP THIS MANUAL

IMPORTANT SAFETY INFORMATION



**SAFETY
ALERT
SYMBOL**

This symbol is used to call your attention to hazards or unsafe practices which could result in an injury or property damage. The signal word, defined below, indicates the severity of the hazard. The message after the signal word provides information for preventing or avoiding the hazard.

⚠ DANGER

Immediate hazards which, if not avoided, **WILL** result in severe injury or death.

⚠ WARNING

Hazards which, if not avoided, **COULD** result in severe injury or death.

⚠ CAUTION

Hazards or unsafe practices which, if not avoided, **MAY** result in injury or property damage.



⚠ WARNING

Read and understand all of the instructions and safety information in this manual before operating or servicing this tool. Refer also to the Operation manual, which is listed under "Other Publications."

Failure to observe this warning could result in severe injury or death.

⚠ WARNING

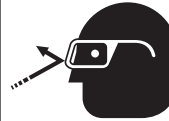


Skin injection hazard:

- Do not use hands to check for leaks.
- Do not hold hose or couplers while the hydraulic system is pressurized.
- Depressurize the hydraulic system before servicing.

Oil under pressure easily punctures skin causing serious injury, gangrene or death. If you are injured by escaping oil, seek medical attention immediately.

⚠ WARNING



Wear eye protection when operating or servicing this tool.

Failure to wear eye protection could result in serious eye injury from flying debris or hydraulic oil.

⚠ WARNING



Tool, accessory, and other components may be hot during and after operation. Allow to cool before handling, or handle with heat-resistant gloves.

Failure to observe this warning could result in severe injury.

IMPORTANT SAFETY INFORMATION

⚠ WARNING

Do not exceed the following hydraulic power source maximums:

- Hydraulic flow: 45.4 l/min (12 gpm)
- Pressure relief: 138 bar (2000 psi)
- Back pressure: 13.8 bar (200 psi)

Failure to observe this warning could result in severe injury or death.

⚠ CAUTION

Hydraulic oil can cause skin irritation.

- Handle the tool and hoses with care to prevent skin contact with hydraulic oil.
- In case of accidental skin contact with hydraulic oil, wash the affected area immediately to remove the oil.

Failure to observe these precautions may result in injury.

⚠ WARNING

Do not disconnect tool, hoses, or fittings while the power source is running or if the hydraulic fluid is hot. Hot hydraulic fluid can cause serious burns.

Notes: Keep all decals clean and legible. Replace when necessary.

When disposing of any components (hydraulic hoses, hydraulic fluid, worn parts, etc.), do so in accordance with federal, state and local laws or ordinances.

⚠ WARNING

Do not reverse hydraulic flow. Operation with hydraulic flow reversed can cause tool malfunction. Connect the pressure (supply) hose and tank (return) hose to the proper ports.

Failure to observe this warning could result in severe injury or death.

Disassembly

Complete disassembly of the tool is not recommended. If a complete overhaul is necessary, return the tool to your nearest Greenlee Utility Authorized Service Center.

The disassembly procedure is divided into sections of the tool. Disassemble only the section(s) necessary to complete the repair.

Disassemble the tool on a flat, clean surface. Take care not to lose or damage any parts that may fall free during disassembly.

Rotary Impact Mechanism

1. Remove three cap screws (63). Remove the rotary impact mechanism (62).
2. Remove the rubber seal (60) and felt seal (61).

Note: Greenlee does not recommend complete disassembly of the mechanism. If required, replace mechanism as an assembly (52058181).

Adapter and Drive Shaft

1. Remove four cap screws (65), adapter (57), and gasket (64).
2. Remove the retaining ring (58) from the adapter (57). Push the drive shaft (55) and bearing (56) out of the adapter (57).
3. If necessary, remove the shaft seal (59), gear (54), and bearings (56) from the drive shaft (55).

Motor

1. Scribe a line across the motor cap (47) and handle (1) to align parts correctly during assembly.
2. Remove eight cap screws (49) and pull the motor cap from the handle. Remove the gasket (46). If necessary, remove the dowel pins (45).
3. Pull the idler shaft (43) and gear (40) from the handle. Remove the gear from the idler shaft. If necessary, remove the drive pin (44) from the idler shaft.
4. Remove the retaining clip (42), gear (40), and Woodruff key (41) from the gear carrier shaft (53). Pull the gear carrier shaft (53) from the trigger side of the handle (1).
5. If the gear carrier shaft components require disassembly, drive two dowel pins (52) from the gear carrier shaft (53) using a punch. Pull two small gears (51) from the gear carrier shaft (53).
6. Remove the ring gear (4) and roll pin (5) from the handle, if necessary.
7. Use an O-ring tool to remove the O-ring (2) without removing the needle bearing (3).

Needle Bearing Removal

Note: If the needle bearings (3, 48) in the motor cap (47) or handle (1) are damaged or worn, Greenlee Utility recommends replacing the component as an assembly with bearings already pressed in.

1. Do not remove the needle bearings (3, 48) unless they are damaged or worn. Bearings will be ruined when they are removed.
2. A blind-hole bearing puller is required to remove needle bearings from the motor cap (47) or handle (1).

Disassembly (cont'd)

Trigger, Control Spool, and Super Spool™ Sleeve

1. Remove the retaining ring (25) and cap (24) from the sleeve (19). Remove the compression spring (29) from the end of the control spool (26).
2. Remove the connecting link (33) from the trigger (32) and control spool (26). Remove one machine screw (34) and nut (35) from the trigger (32). Remove the trigger.
3. Remove the retaining ring (31) and washer (30). Remove the control spool (26) from the sleeve (19). Remove the O-ring (27) from the control spool (26).
4. Remove the retaining ring (22) from the sleeve (19). Remove the sleeve from the handle (1).
5. Remove the O-rings (20, 21, 23) from the sleeve (19). Remove the O-ring (18) from the handle (1).

Directional Spool

1. Remove both cap screws (17) and buttons (16) from the directional spool (14). Slide the directional spool part way through the bore to expose one O-ring (15). Remove the exposed O-ring.
2. Remove the directional spool (14) by pushing it back through the bore. Remove the remaining O-ring (15).

Note: Attempting to force the directional spool through the bore against the O-ring will damage the O-ring and could allow particles of O-ring to get into the motor.

Flow Control Cartridge

1. Remove the retaining ring (9). Pull the flow control cartridge (6) out of the handle.
2. Remove the O-rings (7, 8).

WARNING

Do not attempt to repair the flow control cartridge. It contains no replaceable parts.

Failure to observe this warning could result in severe injury or death.

Adjustable Torque Output Screw

1. Remove the spring pin (13) from the handle.
2. Turn the torque output screw (10) counterclockwise until the threads disengage, and remove it from the handle.
3. Remove the O-ring (11) and back-up ring (12).

Inspection

Clean all parts with an appropriate cleaning solution and dry them thoroughly. Inspect each component as described in this section. Replace any component that shows wear or damage.

1. **Rotary Impact Assembly:** Inspect the exterior for damage and loose or missing parts. Inspect the spur gear (through the small view hole in the end of the mechanism) for grooves, nicks and chips. If the unit is damaged, replace the impact assembly.
2. **Bearings:** Insert shaft into bearings. Spin shaft. If the shaft does not spin smoothly, replace the entire assembly with bearings already pressed in.
3. **Motor Cap, Handle, and Adapter:** Inspect mating surfaces, bores, oil passageways, etc. for grooves or nicks. If any component shows wear or damage, replace the entire assembly with bearings already pressed in.
4. **Planet Gear with Needle Bearings:** Insert a corresponding dowel pin into the bearing. While holding the dowel between a thumb and forefinger, roll the gear in the palm of your other hand. If either gear does not spin smoothly, replace both gears with bearings already pressed in.
5. Inspect all other disassembled components for cracks, grooves or nicks.

Assembly

Refer to the Illustrations and Parts Lists for correct orientation and placement of parts.

Replace any O-rings, V-rings, seals, and gaskets on parts that have been disassembled. Apply hydraulic fluid or O-ring lubricant to all O-rings and all metal surfaces which they must slide over. When installing an O-ring which must slide over sharp surfaces, use a rolling motion and be careful not to damage the O-ring.

Wherever the assembly results in metal-to-metal contact, coat the surfaces with hydraulic fluid or O-ring lubricant.

Some steps of the assembly procedure require a removable type of thread sealing and locking compound, such as Loctite® 242 or equivalent. Follow the manufacturer's instructions for curing.

Needle Bearing Installation in Handle or Motor Cap

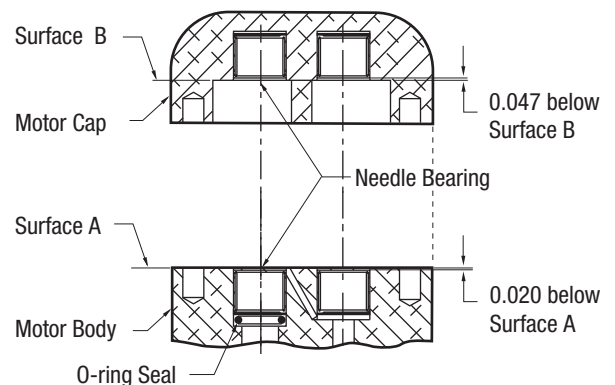
HANDLE:

1. Install a new needle bearing (3) with identification mark facing up (readable from Surface A) into the handle (1).
2. Press the bearing into the handle until the bearing cage is 0.020 inch below Surface A.
3. Repeat the procedure for the other needle bearing if it was removed.

MOTOR CAP:

1. Install a new needle bearing (48) with identification mark facing up (readable from Surface B) into the motor cap (47).
2. Press the bearing into the motor cap until the bearing cage is 0.047 inch below Surface B.
3. Repeat the procedure for the other needle bearing if it was removed.

Needle Bearing Installation in Handle and Motor Cap



Assembly (cont'd)

Motor

1. Install the ring gear (4) into the handle (1), aligning the notch in the ring gear with the notch in the handle. Insert the roll pin (5) into the hole that is formed when these two components are aligned correctly. The roll pin (5) must be flush or below the handle surface.
2. Install a new O-ring (2) in the drive shaft opening (1) using an O-ring tool. Be careful not to damage the O-ring during installation. Install the gear carrier shaft (53) into the handle.
3. Install the Woodruff key (41) in the gear carrier shaft (53). Slide one gear (40) onto the gear carrier shaft (53), guiding the keyway in the gear (40) over the Woodruff key (41). Secure the gear to the drive shaft with the retaining clip (42).
4. Install the drive pin (44) into the idler shaft (43), if removed. Slide the remaining gear (40) onto the idler shaft, guiding the keyway in the gear over the drive pin. Install the idler shaft and gear in the handle (1), meshing the two gears (40) together.
5. Install two dowel pins (45) in the handle (1), if removed. Install a new gasket (46).
6. Install the motor cap (47) on the handle (1), aligning the scribe marks that were made during disassembly.
7. Secure the motor cap (47) to the handle (1) using eight cap screws (49). Using the sequence shown below, torque to 9 newton-meters (80 inch-pounds).

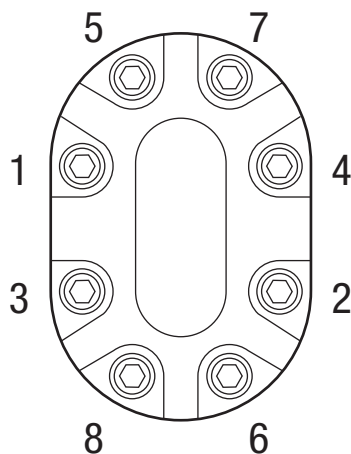
Directional Spool

1. Slide the directional spool (14) in the handle (1).
2. Install one O-ring (15) on the directional spool. Slide the spool through the handle just far enough to install the remaining O-ring (15) on the spool.
3. Apply a thread-locking compound to the threads of the cap screws (17). Secure the buttons (16) to the directional spool with the cap screws. Torque to 3.4 to 3.9 newton-meters (30 to 35 inch-pounds).

Trigger, Control Spool, and Super Spool Sleeve

1. Install the O-ring (18) in the sleeve cavity of the handle (1). Install the O-rings (20, 21, 23) on the sleeve (19).
2. Install the sleeve (19) in the handle (1). Secure the sleeve in the handle with the retaining ring (22).
3. Install the spring (29), washer (24), and retaining ring (25) into the sleeve (19). Install the O-ring (27) onto the control spool.
4. Slide the control spool (26) in the sleeve (19) from the trigger side of the handle (1). Install the washer (30) in the end of the sleeve. Secure the washer to the sleeve with the retaining ring (31).
5. Secure the trigger (32) to the handle (1) with the machine screw (34) and stop nut (35).
6. Attach the connecting link (33) to the trigger (32) and control spool (26).

Torque Sequence



Assembly (cont'd)

Flow Control Cartridge

1. Install the O-rings (7, 8) on the flow control cartridge (6).
2. Install the flow control cartridge in the cavity of the handle (1). Secure with the retaining ring (9).

Adjustable Torque Output Screw

1. Install the O-ring (11) and back-up ring (12) onto the torque output screw (10). Install the screw in the cavity of the handle (1).
2. Turn the screw clockwise until the threads are engaged in the threads of the handle. Secure the screw in the handle using the spring pin (13).

Adapter and Drive Shaft

1. If removed, install one ball bearing (56) and retaining ring (58) onto the smooth end of the drive shaft (55). Press the drive gear (54), until flush, onto the smooth end of the drive shaft (55).
2. Slide the adapter (57), large opening first, over the helical geared end of the drive shaft (55). Secure the drive shaft (55) and bearing (56) into the adapter (57) with the retaining ring (58).
3. Install a new gasket (64) onto the handle. Mesh the drive gear (54) on the end of the drive shaft (55) with the planet gears (51) in the gear carrier shaft (53). Secure the adapter (52) to the tool with four cap screws (65). Torque to 9 newton-meters (80 inch-pounds).
4. Install the remaining ball bearing (56) and shaft seal (59) onto the helical geared end of the drive shaft (55).

Rotary Impact Mechanism

1. Install the rubber seal (60) and felt seal (61) in the rotary impact mechanism (62).
2. Install the rotary impact mechanism (62) on the adapter (57). Secure with cap screws (63). Torque to 1.2 to 1.7 newton-meters (10 to 15 inch-pounds).

Illustration

Rotary Impact Drill
Serial Code AML

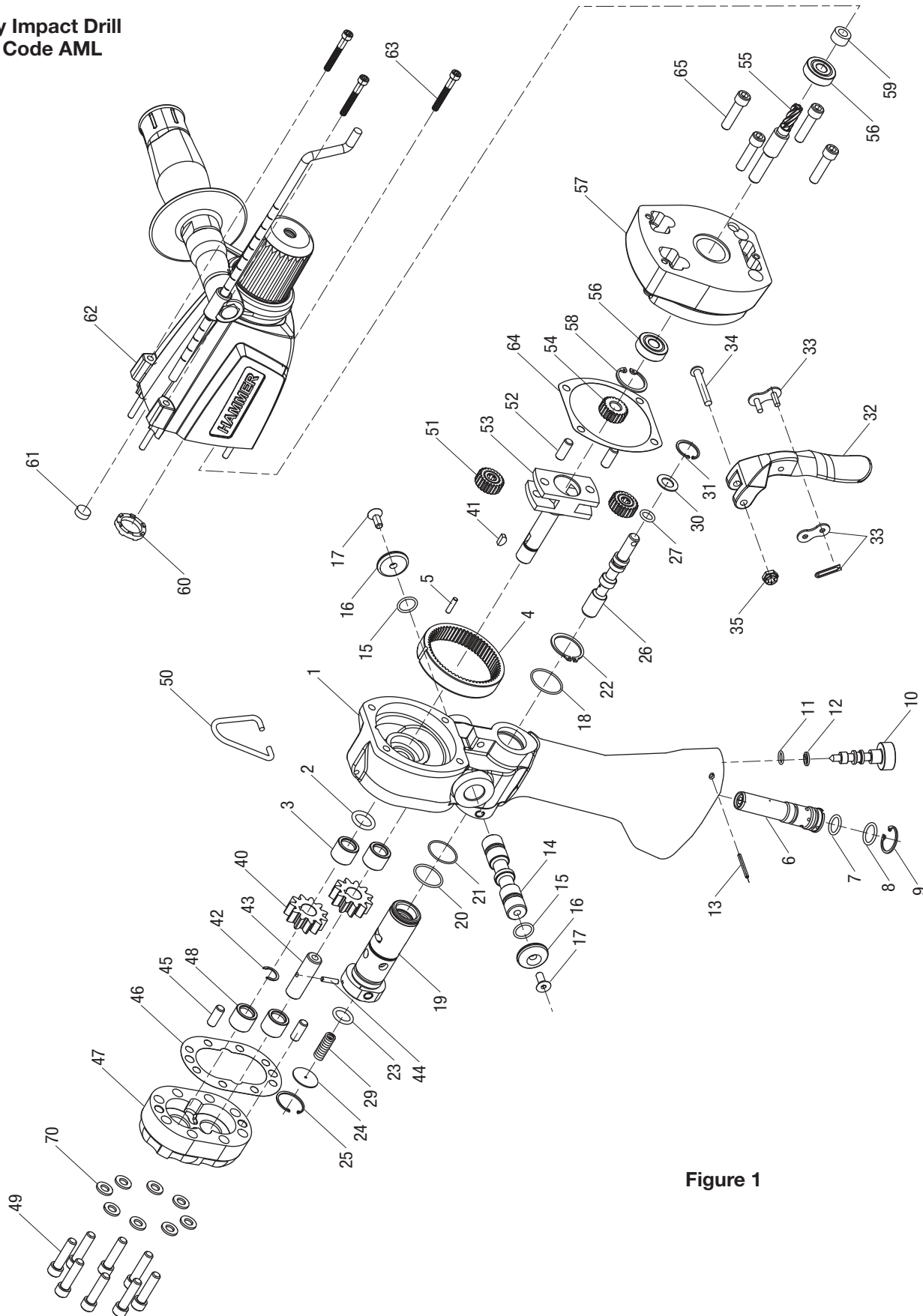


Figure 1

Parts List

Rotary Impact Drill—Serial Code AML (Figure 1)

UPC No.				UPC No.					
Key	78-3310-	Part No.	Description	Qty	Key	78-3310-	Part No.	Description	Qty
1	43482	50434829	HANDLE ASSEMBLY WITH ORIFICE, BEARINGS and GEAR (includes items 2–5).....1		47	40405	50404053	MOTOR CAP (includes items 48, 49 and 70).....1	
2*			O-ring, 1/2 x 3/32–901		48	41591	50415911	Needle Bearing2	
3	41591	50415911	Needle Bearing2		49			Socket Head Cap Screw, 1/4–20 x 18	
4	40152	50401524	Internal Gear1		50	43817	50438174	Hook, Lift1	
5	41593	50415930	Dowel Pin, 1/8 x 1/21		51	41080	50410803	Gear, Planet (21 teeth with needle bearing)2	
6	43302	50433024	FLOW CONTROL CARTRIDGE (includes items 7 and 8).....1		52	41624	50416242	Dowel Pin, 1/4 x 5/82	
7*			O-ring, 1/2 x 1/16–701		53	49590	50495909	Shaft, Gear Carrier.....1	
8*			O-ring, 7/16 x 1/16–701		54	41075	50410752	Gear, Drive (21 Teeth)1	
9	41600	50416003	Retaining Ring, 11/16 Internal1		55	00809	52058178	Shaft, Drive1	
10	41094	50410942	Screw, Adjustable Torque Output.....1		56	42044	50420443	Ball Bearing, 5/16 I.D.....2	
11*			O-ring, 1/4 x 1/16–701		57†	00805	52058182	Adapter1	
12*			Back-Up Ring1		58†	41457	50414571	Retaining Ring, Internal 7/81	
13*			Spring Pin, 5/64 x 7/8.....1		59†	00807	52058180	Shaft Seal1	
14	40215	50402154	Spool, Directional1		60	00802	52058183	Rubber Buffer1	
15*			O-ring, 7/16 x 1/16–682		61	00800	52062555	Felt Seal.....1	
16	40228	50402283	Button.....2		62†	00806	52058181	ROTARY IMPACT MECHANISM (includes 60 and 61) (see Figure 2)	
17			Flat Socket Head Cap Screw, #10–24 x 1/2.....2			42041	50420413	Auxiliary Handle1	
18*			O-ring, 7/8 x 1/16–701			42042	50420423	Depth Gauge.....1	
19	41097	50410971	Sleeve, Super Spool1		63†			Cap Screw, #8–32 x 1.250 Socket Head.....3	
20*			O-ring, .787 x .051–70.....1		64*			Gasket1	
21*			O-ring, 3/4 x 1/16–901		65			Cap Screw, 1/4–20 x 1 Socket Head4	
22	41298	90548191	Retaining Ring, 7/8 External.....1		70			Washer, Flat8	
23*			O-ring, 7/16 x 3/32–901		Decals (not shown)				
24	41095	50410952	Cap1		49842	52001069		Decal, Max. Pressure and Flow1	
25	41712	50417122	Retaining Ring, 3/4 Internal1		48781	50487817		Decal, Greenlee Utility1	
26	48681	50486810	Spool, Control1		49506	50495062		Decal, CE.....1	
27*			O-ring, 5/16 x 1/16–701		49489	50494890		Decal, Spool Rotation.....1	
29	42865	50428651	Spring, Compression.....1		49592	52000976		Decal, Sound1	
30	41096	50410962	Washer.....1		49500	50495003		Decal, Read Instruction Manual1	
31	41297	50412971	Retaining Ring, 5/8 Internal1		Kits				
32	40406	50404063	Trigger.....1		00794	52062558		Drive Shaft Assembly (includes items 54–56)	
33	41636	50416361	Connecting Link1		*	41115	50411154	Packing Kit (includes all items marked with an asterisk)	
34			Slotted Round Head Machine Screw, #10–24 x 1-1/4.....1		†		52058184	Retrofit Kit (converts Serial Code GAT to AML (includes Drive Shaft Assembly and all items marked with †)	
35			Hex Elastic Stop Nut, #10–24.....1						
40	41594	50415940	Gear, 11 Tooth2						
41	40115	50401154	Key, 1/8 x 3/8.....1						
42	41621	50416212	Retaining Ring, 25/64 External.....1						
43	40114	50401144	Shaft Idler1						
44	41593	50415930	Drive Pin1						
45	41624	50416242	Dowel Pin, 1/4 x 5/82						
46*			Gasket1						

Illustration

**Rotary Impact Mechanism
Serial Code AML**

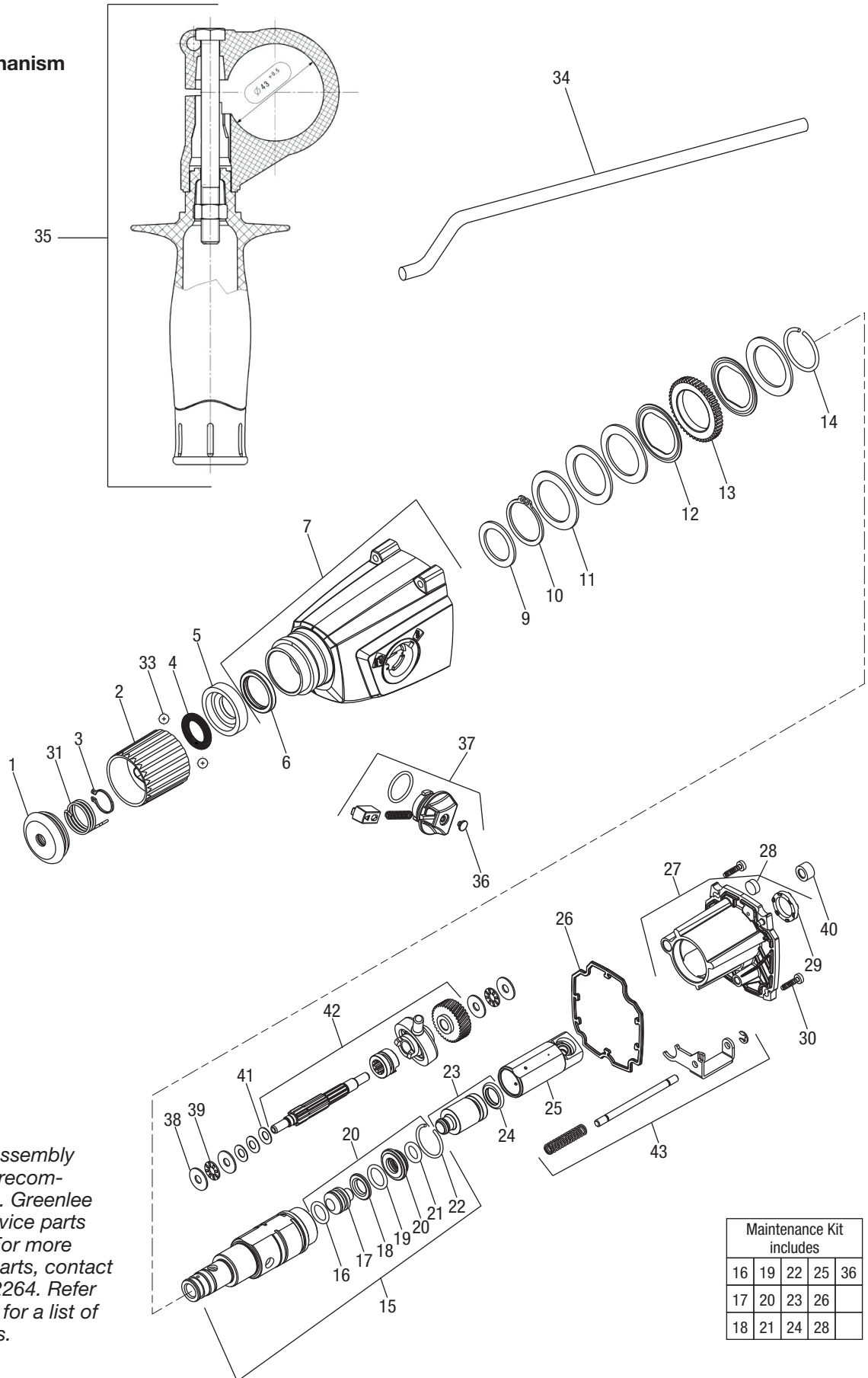


Figure 2

Note: Complete disassembly of mechanism is not recommended by Greenlee. Greenlee does not carry all service parts for the mechanism. For more uncommon service parts, contact Metabo at 800-638-2264. Refer to Figure 2 Parts List for a list of Metabo part numbers.

Maintenance Kit includes				
16	19	22	25	36
17	20	23	26	
18	21	24	28	

Parts List

Rotary Impact Mechanism—Serial Code AML (Figure 2)

Key	UPC No. 78-3310-	Greenlee Part No.	Metabo Part No.	Description	Qty
1		50421423	344092950	Rubber Cap.....	1
2			343361680	Adjusting Ring.....	1
3			141155460	Retaining Ring.....	1
4			342001560	Tension-Spring Ring.....	1
5			343361690	Spacer Ring	1
6			143194060	Seal	1
7			316045660	Gear Housing Assembly	1
9			141153750	Supporting Disc	1
10			141180170	Retaining Ring.....	1
11			342070340	Cup Spring.....	4
12			339004870	Friction Washer	2
13			340002750	Spur Gear.....	1
14			141181290	Circlip.....	1
15	00801	52062554	316045710	Drill Driving Sleeve Assembly.....	1
16*			143192400	O-ring.....	1
17*			316045630	Piston Assembly	1
18*			341055960	Damping Ring	1
19*			143194640	O-ring.....	1
20*			316045640	Catching Sleeve Assembly	1
21*			143193920	O-ring.....	1
22*			141181860	Circlip.....	1
23*			316048010	Striker Assembly	1
24*			344093140	Sealing Ring.....	1
25*			341059260	Exciter Sleeve	1
26*			344098710	Sealing Ring.....	1
27			316045680	Gear Flange Assembly.....	1
28*	00800	52062555	344070670	Felt Seal	1
29	00802	52058183	344095920	Rubber Buffer.....	1
30			141119440	Fill. Head Screw	2
31			342022250	Coil Spring	1
32			339007400	Washer.....	1
33			143115330	Ball	2
34	42042	50420423	341511630	Depth Stop.....	1
35	42041	50420413	314000840	Support Handle Assemblby	1
36*			343398340	Seal	1
37			316045620	Control Knob Assembly	1
38			143115300	Thrust Washer.....	4
39			143115310	Thrust Bearing.....	2
40	00807	52058180	343398310	Sealing Washer	1
41			141154920	Cup Spring.....	3
42	00798	52062556	316045730	Intermediate Gear Assembly.....	1
43			316045600	Shift Element Assemblby	1
*	00797	52062557	316045760	Maintenance Kit (hammer mechanism) (includes items marked with an asterisk)	

Illustration

Rotary Impact Drill
Serial Code GAT

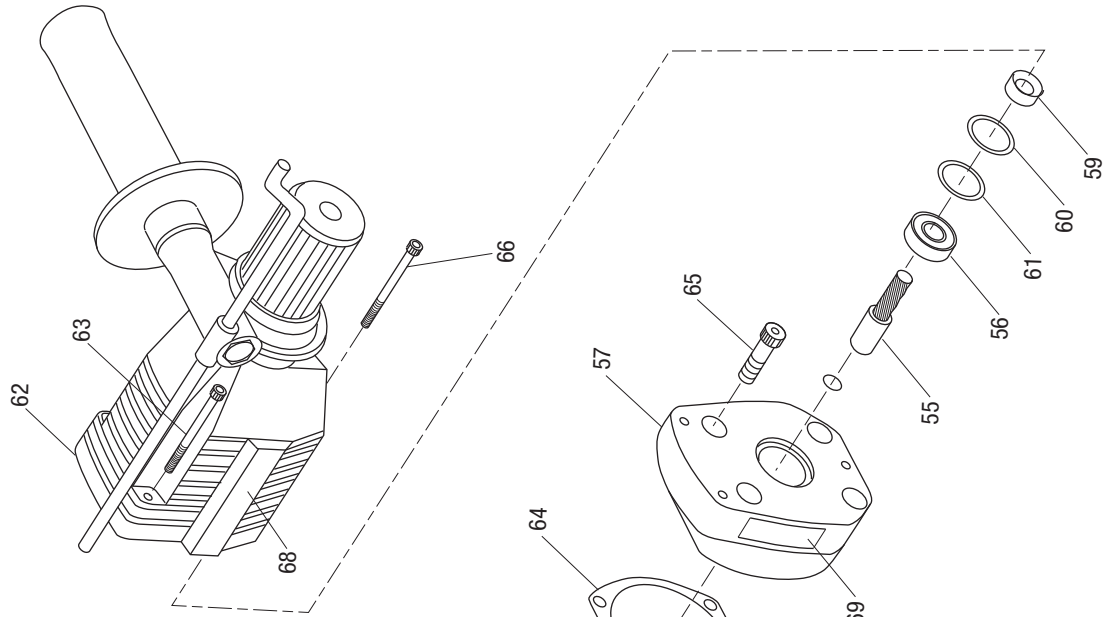
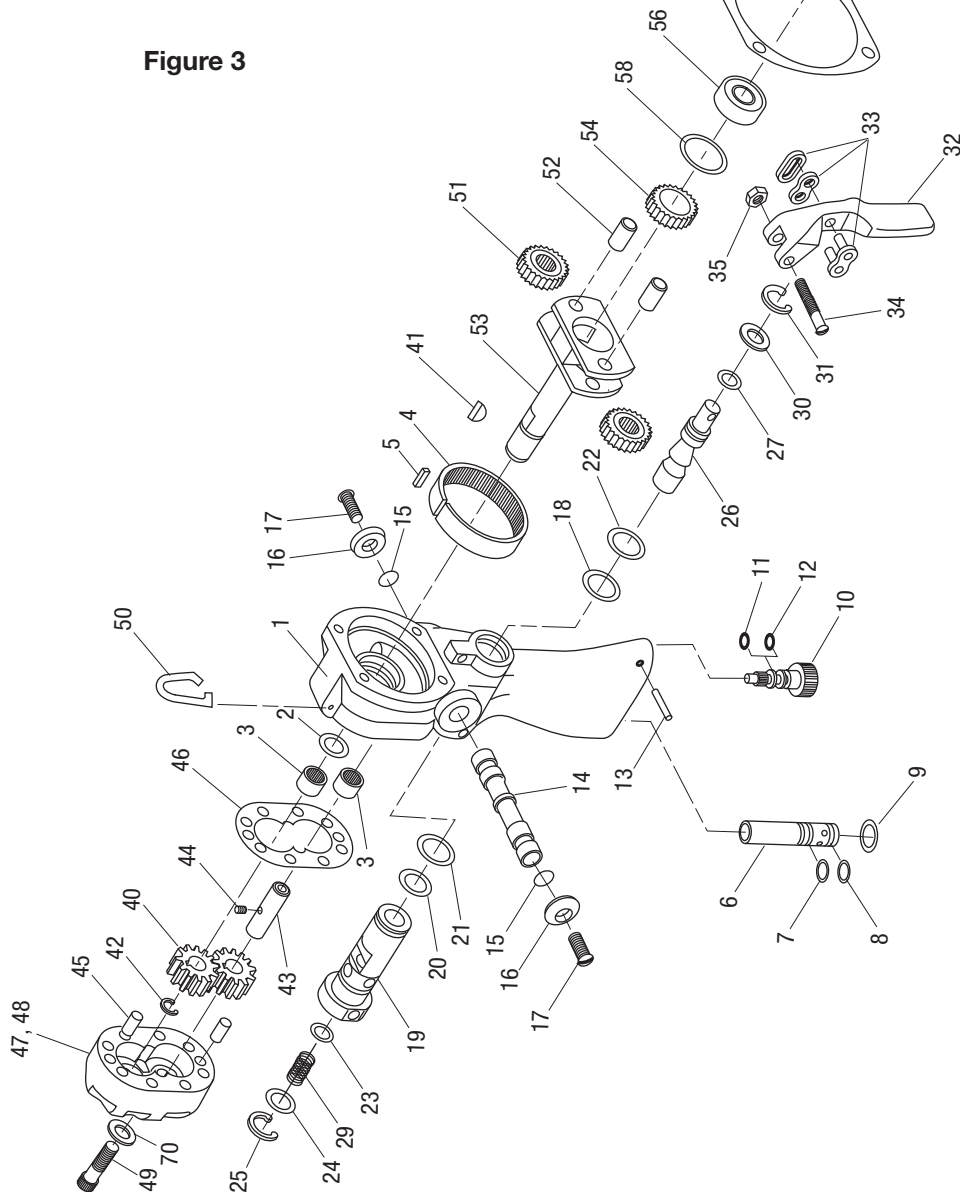


Figure 3



Parts List

Rotary Impact Drill—Serial Code GAT (Figure 3)

UPC No.				UPC No.					
Key	78-3310-	Part No.	Description	Qty	Key	78-3310-	Part No.	Description	Qty
1	43482	50434829	HANDLE ASSEMBLY WITH ORIFICE, BEARINGS and GEAR (includes items 2-5).....	1	42	41621	50416212	Retaining Ring, 25/64 External.....	1
2*			O-ring, 1/2 x 3/32-90.....	1	43	40114	50401144	Shaft Idler.....	1
3	41591	50415911	Needle Bearing.....	2	44	41593	50415930	Drive Pin.....	1
4	40152	50401524	Internal Gear.....	1	45	41624	50416242	Dowel Pin, 1/4 x 5/8.....	2
5	41593	50415930	Dowel Pin, 1/8 x 1/2.....	1	46*			Gasket.....	1
6	43302	50433024	FLOW CONTROL CARTRIDGE (includes items 7 and 8).....	1	47	40405	50404053	MOTOR CAP (includes items 48, 49 and 70).....	1
7*			O-ring, 1/2 x 1/16-70.....	1	48	41591	50415911	Needle Bearing.....	2
8*			O-ring, 7/16 x 1/16-70.....	1	49			Socket Head Cap Screw, 1/4-20 x 1.....	8
9	41600	50416003	Retaining Ring, 11/16 Internal.....	1	50	43817	50438174	Hook, Lift.....	1
10	41094	50410942	Screw, Adjustable Torque Output.....	1	51	41080	50410803	Gear, Planet (21 teeth with needle bearing).....	2
11*			O-ring, 1/4 x 1/16-70.....	1	52	41624	50416242	Dowel Pin, 1/4 x 5/8.....	2
12*			Back-Up Ring.....	1	53	49590	50495909	Shaft, Gear Carrier.....	1
13*			Spring Pin, 5/64 x 7/8.....	1	54	41075	50410752	Gear, Drive (21 Teeth).....	1
14	40215	50402154	Spool, Directional.....	1	55			Shaft, Drive.....	1
15*			O-ring, 7/16 x 1/16-68.....	2	56	42044	50420443	Ball Bearing, 5/16 I.D.....	2
16	40228	50402283	Button.....	2	57			Adapter.....	1
17			Flat Socket Head Cap Screw, #10-24 x 1/2.....	2	58	41457	50414571	Retaining Ring, Internal 7/8.....	1
18*			O-ring, 7/8 x 1/16-70.....	1	59			Slinger.....	1
19	41097	50410971	Sleeve, Super Spool.....	1	60			O-ring, .722 x .856 x .065.....	1
20*			O-ring, .787 x .051-70.....	1	61			Washer, .694 x .856 x .008.....	1
21*			O-ring, 3/4 x 1/16-90.....	1	62			ROTARY IMPACT MECHANISM†	
22	41298	90548191	Retaining Ring, 7/8 External.....	1		42041	50420413	Auxiliary Handle.....	1
23*			O-ring, 7/16 x 3/32-90.....	1		42042	50420423	Depth Gauge.....	1
24	41095	50410952	Cap.....	1	63			Cap Screw, #10-24 x 1.50 Socket Head.....	2
25	41712	50417122	Retaining Ring, 3/4 Internal.....	1	64*			Gasket.....	1
26	48681	50486810	Spool, Control.....	1	65			Cap Screw, 1/4-20 x 1 Socket Head.....	4
27*			O-ring, 5/16 x 1/16-70.....	1	66			Cap Screw, #10-24 x 1 Socket Head.....	1
29	42865	50428651	Spring, Compression.....	1	68	49842	52001069	Decal, Max. Pressure and Flow.....	1
30	41096	50410962	Washer.....	1	69	48781	50487817	Decal, Greenlee Utility.....	1
31	41297	50412971	Retaining Ring, 5/8 Internal.....	1	70			Washer, Flat.....	8
32	40406	50404063	Trigger.....	1	Decals (not shown)				
33	41636	50416361	Connecting Link.....	1		49506	50495062	Decal, CE.....	1
34			Slotted Round Head Machine Screw, #10-24 x 1-1/4.....	1		49489	50494890	Decal, Spool Rotation.....	1
35			Hex Elastic Stop Nut, #10-24.....	1		49592	52000976	Decal, Sound.....	1
40	41594	50415940	Gear, 11 Tooth.....	2		49500	50495003	Decal, Read Instruction Manual.....	1
41	40115	50401154	Key, 1/8 x 3/8.....	1	Kits				
					*	41115	50411154	Packing Kit (includes all items marked with an asterisk)	

† Note: Mechanism for Serial Code GAT is no longer available.
 Refer to the Parts List for Serial Code AML for retrofit conversion kit.



4455 Boeing Drive • Rockford, IL 61109-2988 • USA • 815-397-7070
An ISO 9001 Company • Greenlee Textron Inc. is a subsidiary of Textron Inc.

www.greenlee.com

USA Tel: 800-435-0786
Fax: 800-451-2632

Canada Tel: 800-435-0786
Fax: 800-524-2853

International Tel: +1-815-397-7070
Fax: +1-815-397-9247