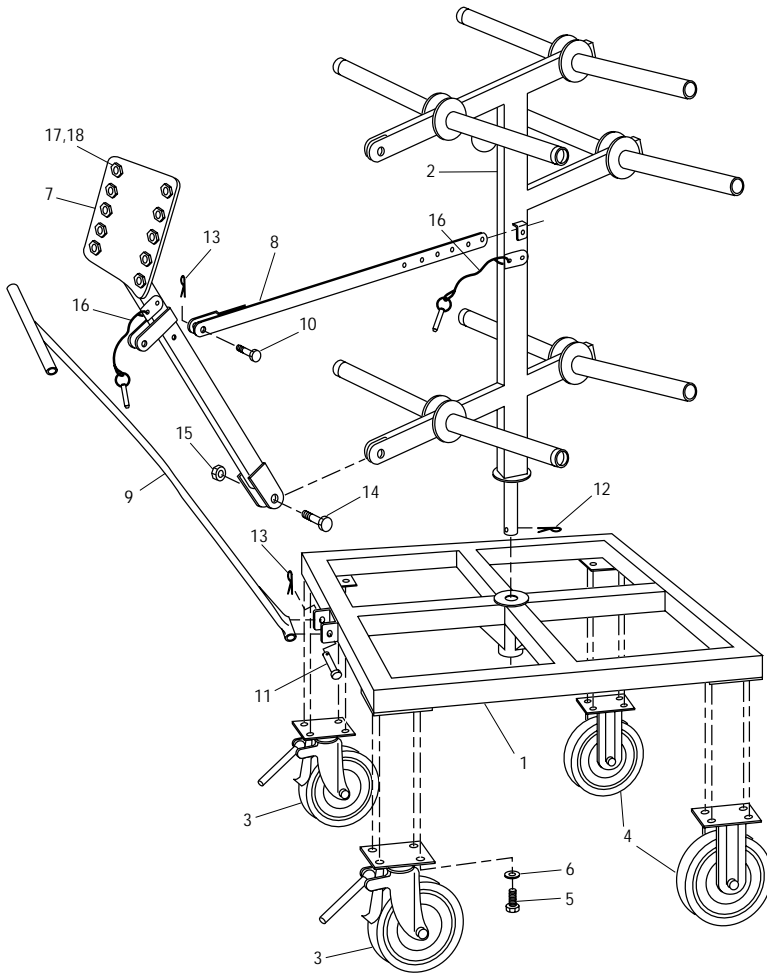


PARTS LIST



910 Wire Dispenser



Key	Part No.	Description	Qty
1	502 2172.8	Base	1
2	502 2173.6	Reel holder	1
3	905 3259.7	Swivel caster	2
4	905 1488.2	Rigid caster	2
5	905 2009.2	Hex head cap screw 5/16-18 UNC x 3/4	16
6	905 0505.0	Washer, lock, 5/16	16
7	502 2175.2	Wire guide	1
8	502 2176.0	Adjusting brace	1
9	502 2177.9	Handle	1
10	905 2573.6	Clevis pin 3/8 x 1-7/8	1
11	905 2010.6	Clevis pin 1/2 x 4	1
12	905 0302.3	Clip, hitch pin No. 8	1
13	905 5277.6	Hitch pin	2
14	905 2163.3	Hex head cap screw 3/8-16 UNC x 2	1
15	905 1558.7	Lock nut 3/8-16 UNC	1
16	500 4916.0	Lanyard and pin unit	2
17	918 5729.5	1/2" Plastic bushing	10
18	918 5728.7	Insulated pipe nipples	10
19	500 6006.6	Parts kit	1

CAUTION

Load and unload sides equally. Load bottom spindles first, and unload top spindles first. An unbalanced or top-heavy load could cause wire dispenser to tip over, causing injury and property damage.

- Load lower spindles first. Unload top spindles first.
- Use on smooth level surfaces.

Capacity:

Ten 18" diameter spools
 125 lbs. per spindle (when balanced)
 1,250 lbs. total weight (when balanced)

GREENLEE **TEXTRON**

Greenlee Textron / Subsidiary of Textron Inc.

4455 Boeing Drive, Rockford, IL 61109-2988 USA

Customer Service (International): 815/397-7070 • Fax: 815/397-9247

Customer Service (North America): 800/435-0786 • USA Fax: 800/451-2632, 815/397-1865 • Canada Fax: 800/524-2853